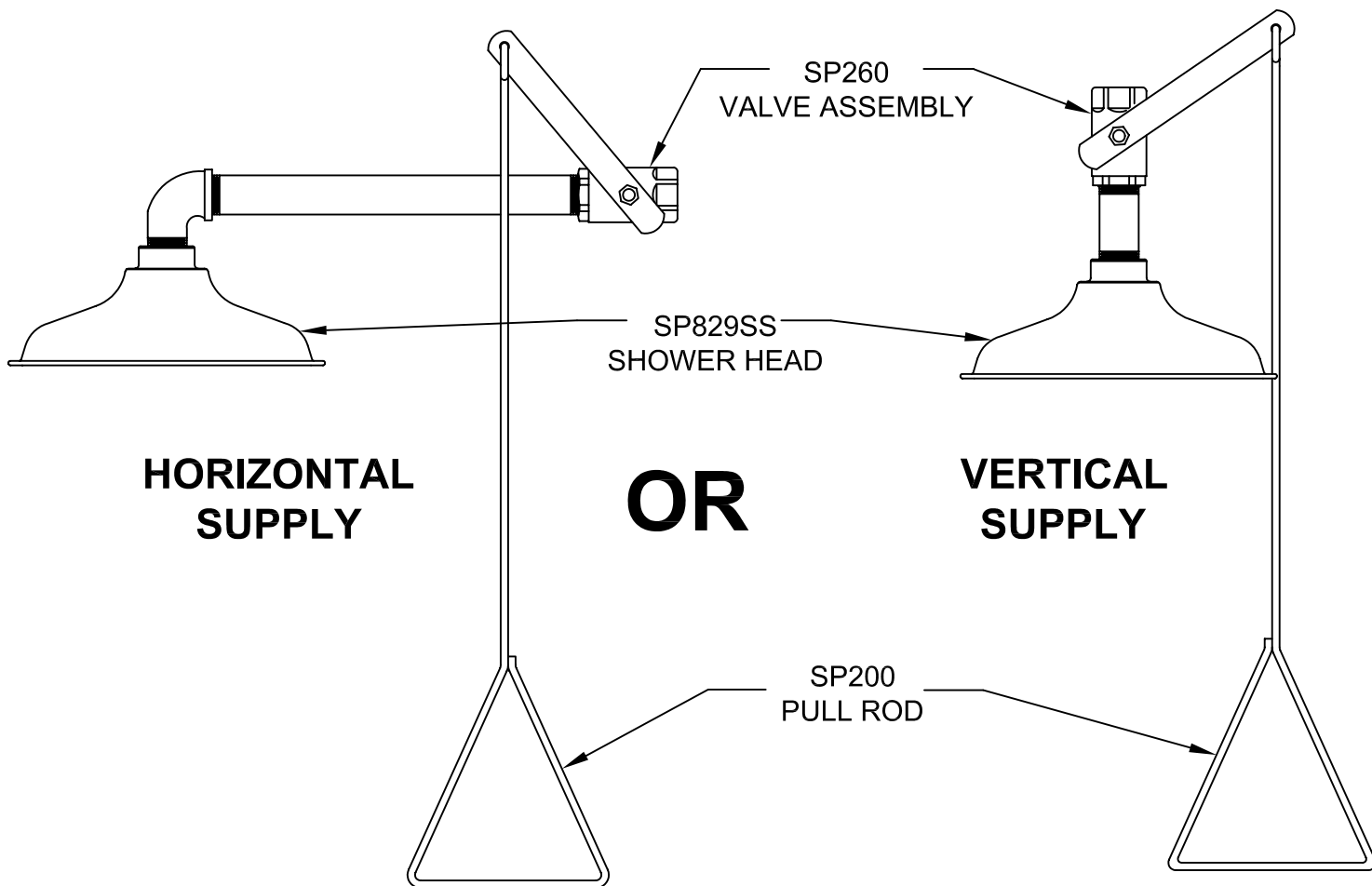


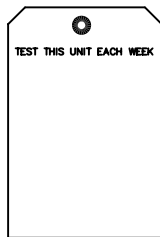
PARTS BREAKDOWN



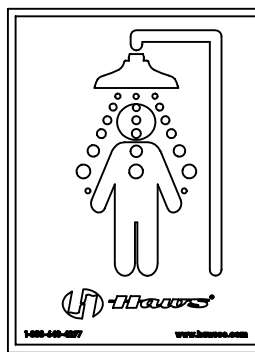
**HORIZONTAL
SUPPLY**

OR

**VERTICAL
SUPPLY**



SP170
TEST TAG



SP177
SHOWER SIGN



1455 KLEPPE LANE
SPARKS, NEVADA 89431
(775) 359-4712 FAX (775) 359-7424
E-MAIL: HAWS@HAWSCO.COM
WEBSITE: WWW.HAWSCO.COM

ECN NO:	REVISED PER:	BY:	MODEL(S)	PART NUMBER:
	ECN: 4351	IR	8123	0002080120
DRAWN:	DATE:	CHKD.:		DRAWING NO.:
TRF	03/08/93			11475C00
APPROVED:	DATE:		EMERGENCY SHOWER	REV.:
			SCALE: 1/3	13
			DRAWING TYPE: PARTS BREAKDOWN	SIZE: A
				SHEET 1 OF 1

WHEN ORDERING PARTS PLEASE SPECIFY YOUR MODEL NUMBER