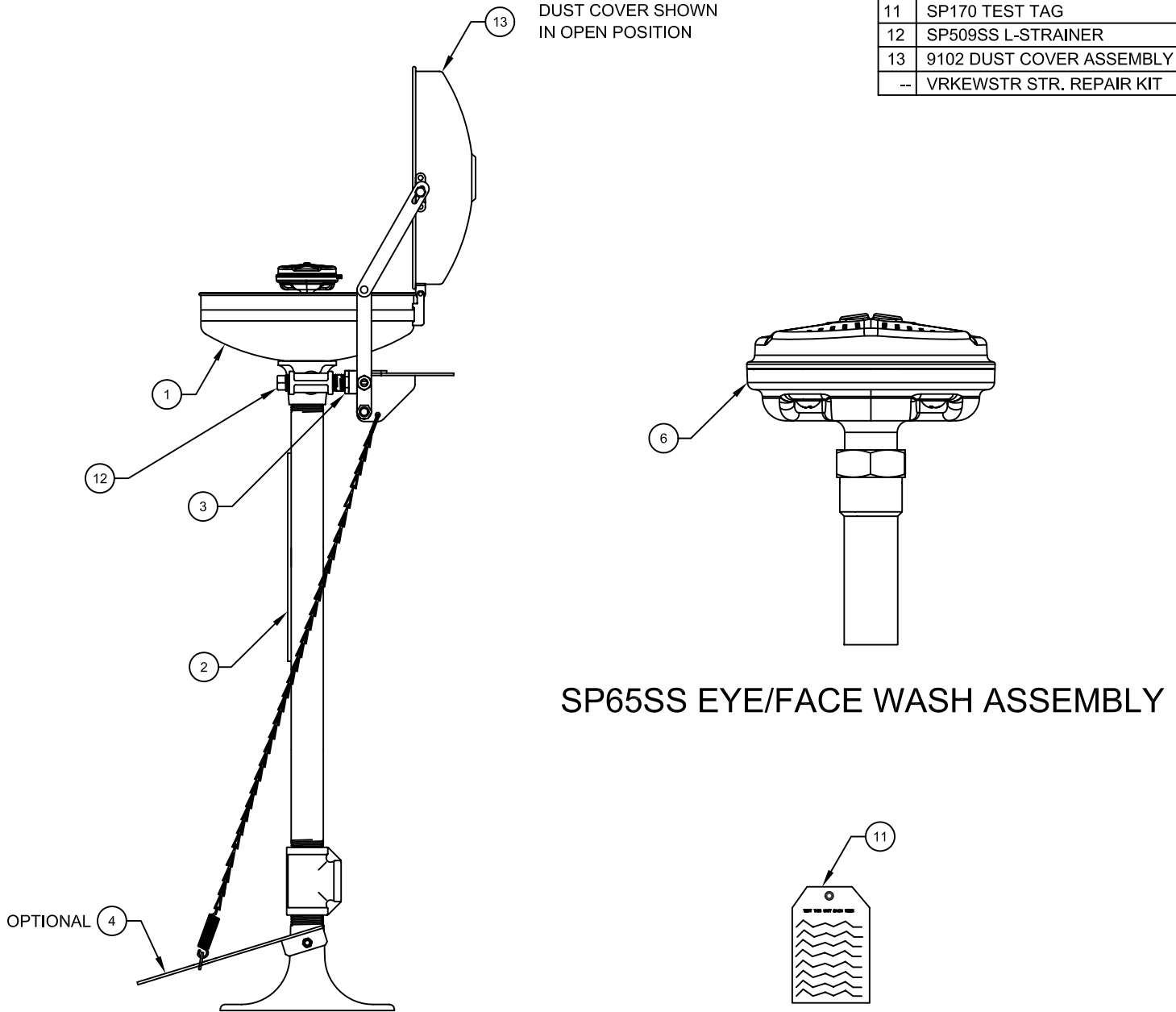


ITEM	DESCRIPTION
1	SP90 BOWL
2	SP175 EYEWASH SIGN
3	SP232 VALVE ASSEMBLY
4	SP220SS FOOT TREADLE
5	-
6	SP65SS EYE/FACE WASH
7	DELETED
8	DELETED
9	DELETED
10	DELETED
11	SP170 TEST TAG
12	SP509SS L-STRAINER
13	9102 DUST COVER ASSEMBLY
--	VRKEWSTR STR. REPAIR KIT

PARTS BREAKDOWN

OPTIONAL



 Haws [®]		1455 KLEPPE LANE SPARKS, NEVADA 89431 (775) 359-4712 FAX (775) 359-7424 E-MAIL: HAWS@HAWSO.COM WEBSITE: WWW.HAWSO.COM	
		ECN NO: _____ ECN: 4351 REVISOR: IR	MODEL(S) 7777
DRAWN: CLF DATE: 03/04/06 APPROVED: _____	DATE: _____ CHK'D: _____	SS PED EYE/FACE WASH	DRAWING NO.: 11467C00 REV. 13
SCALE: 1/4		DRAWING TYPE: PARTS BREAKDOWN	SIZE: A SHEET 1 OF 1

WHEN ORDERING PARTS PLEASE SPECIFY YOUR MODEL NUMBER