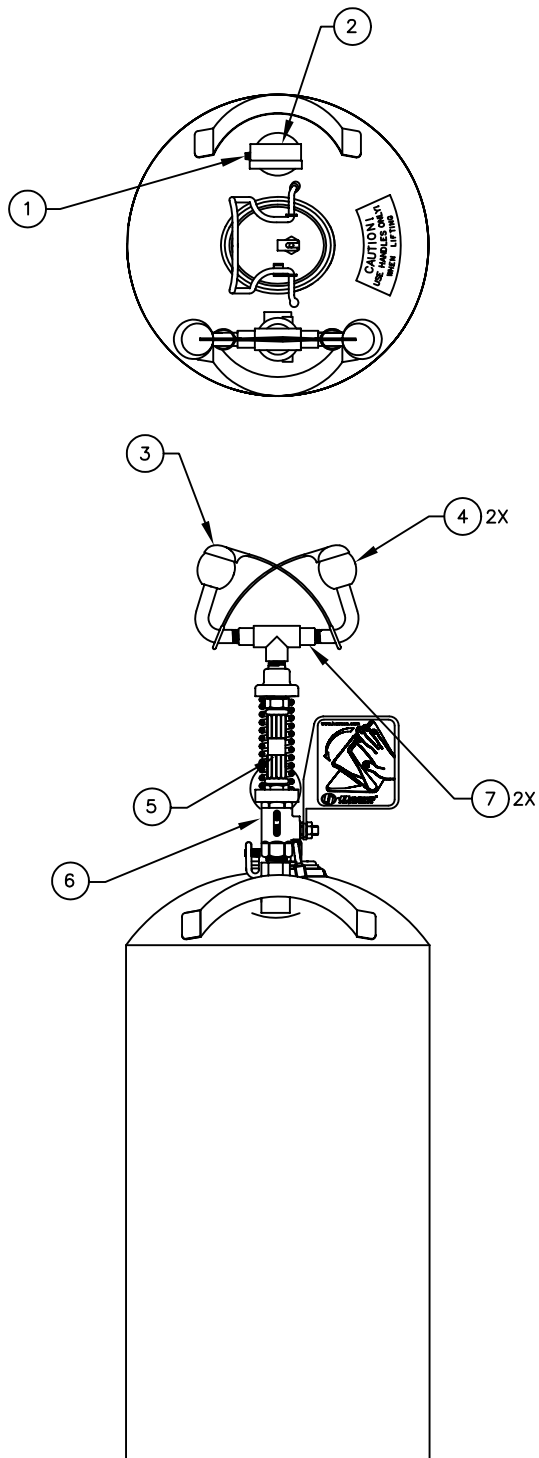


PARTS BREAKDOWN

ITEM	DESCRIPTION	PART NO.
1	VALVE, AIR	0006522676
2	GUAGE, PRESSURE	0002580702
3	COVER, POP-OFF	9094
4	HEAD, EYEWASH	SP12
5	HOSE	0003089664
6	VALVE	SP238
7	FLOW CONTROL	0012506950



1455 KLEPPE LANE
 SPARKS, NEVADA 89431
 (775) 359-4712 FAX (755) 359-7424
 E-MAIL: HAWS@HAWS.CO.COM
 WEBSITE: WWW.HAWS.CO.COM

ECN NO.	REVISED PER	BY	MODEL(S)	PART NUMBER
	ECN: 4612	HM		0002080057
DRAWN	DATE	CHKD	7602.10	DRAWING NO.
FV	11/14/96			12735C00
APPROVED	DATE		SCALE: 1:4	REVISION
			DRAWING TYPE: PARTS BREAKDOWN	11
			SIZE: A	SHEET 1 OF 1

WHEN ORDERING PARTS PLEASE SPECIFY MODEL NUMBER.