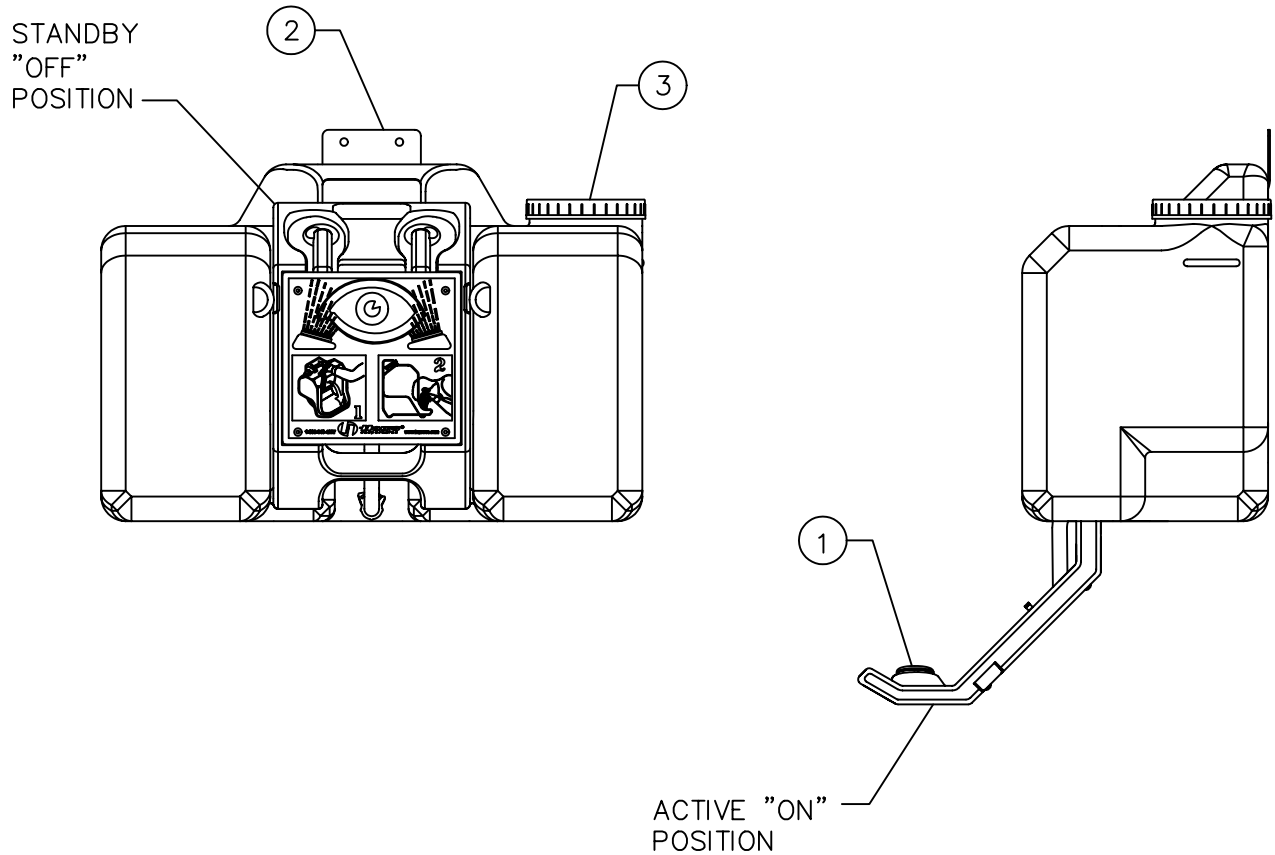


ITEM	DESCRIPTION	PART NO.
1	EYEWASH HEAD ASSY	SP19
2	BRACKET	0001217418
3	CAP	SP131

PARTS BREAKDOWN



 Haws [®]		1455 KLEPPE LANE SPARKS, NEVADA 89431 (775) 359-4712 FAX (755) 359-7424 E-MAIL: HAWS@HAWSO.COM WEBSITE: WWW.HAWSO.COM		
		ECN NO. REVISED PER BY ECN: 4612 JM	MODEL(S) 7501	PART NUMBER 0002080045
DRAWN RTM	DATE 04/19/04	CHKD	DRAWING NO. 15154C00	REV 8
APPROVED	DATE	SCALE: 1:4	DRAWING TYPE: PARTS BREAKDOWN	SIZE: A SHEET 1 OF 1

WHEN ORDERING PARTS PLEASE SPECIFY MODEL NUMBER.