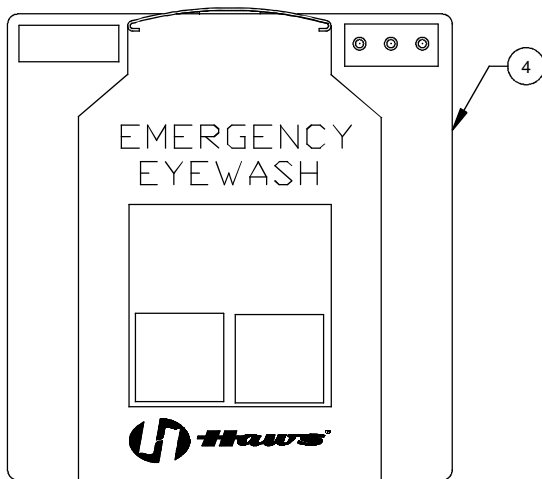
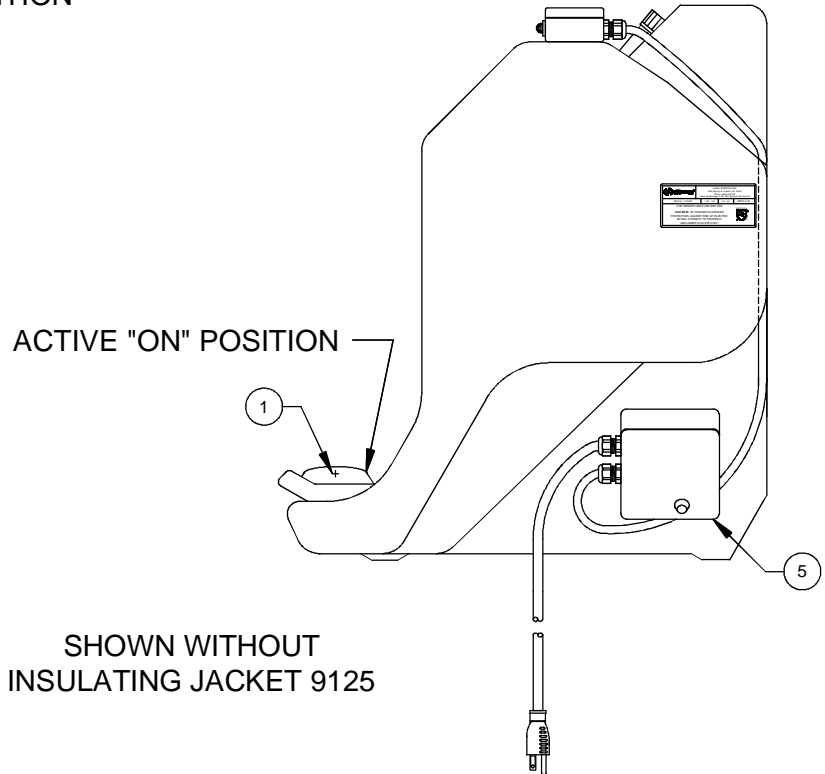
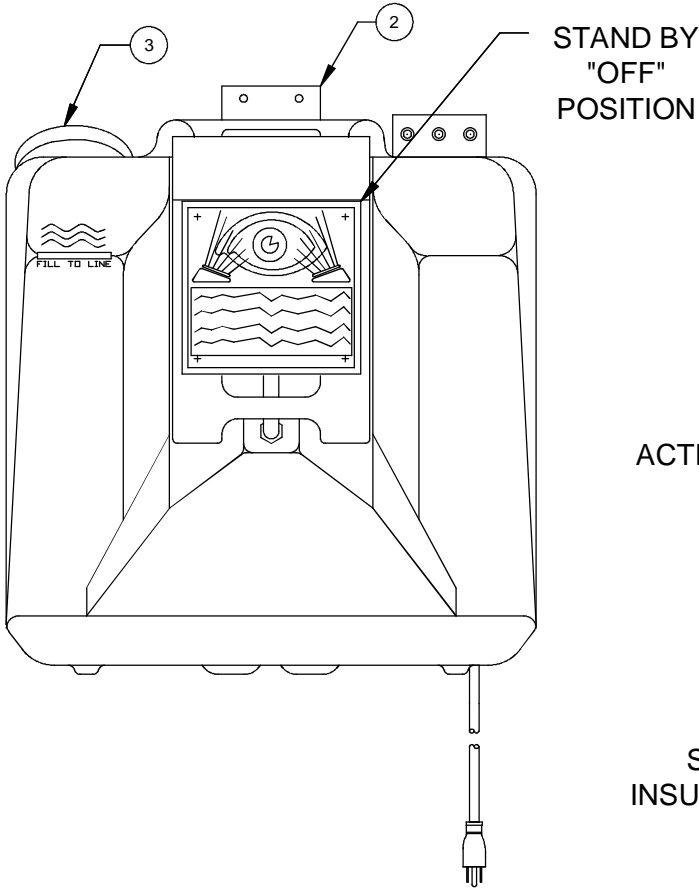


ITEM	DESCRIPTION
1	SP19 EYEWASH HEAD ASSY
2	BRACKET P/N 0001217418
3	SP131 CAP
4	9125 JACKET
5	HEATER P/N 0002986400

# PARTS BREAKDOWN



7500EB ASSEMBLED WITH 9125 JACKET

WHEN ORDERING PARTS PLEASE SPECIFY MODEL NUMBER.

		1455 KLEPPE LANE SPARKS, NEVADA 89431 (775) 359-4712 FAX (755) 359-7424 E-MAIL: HAWS@HAWS.CO.COM WEBSITE: WWW.HAWS.CO.COM	
ECN NO.	REVISED PER	BY	MODEL(S)
	ECN: 4744	HM	7500EB
DRAWN	DATE	CHKD	PORTABLE EYEWASH WITH HEATER
CLF	02/24/93		
APPROVED	DATE	SCALE: 1:1	DRAWING TYPE: PARTS BREAKDOWN
		SIZE: A	SHEET 1 OF 1
		PART NUMBER	0002080059
		DRAWING NO.	11455C00
		REV	11