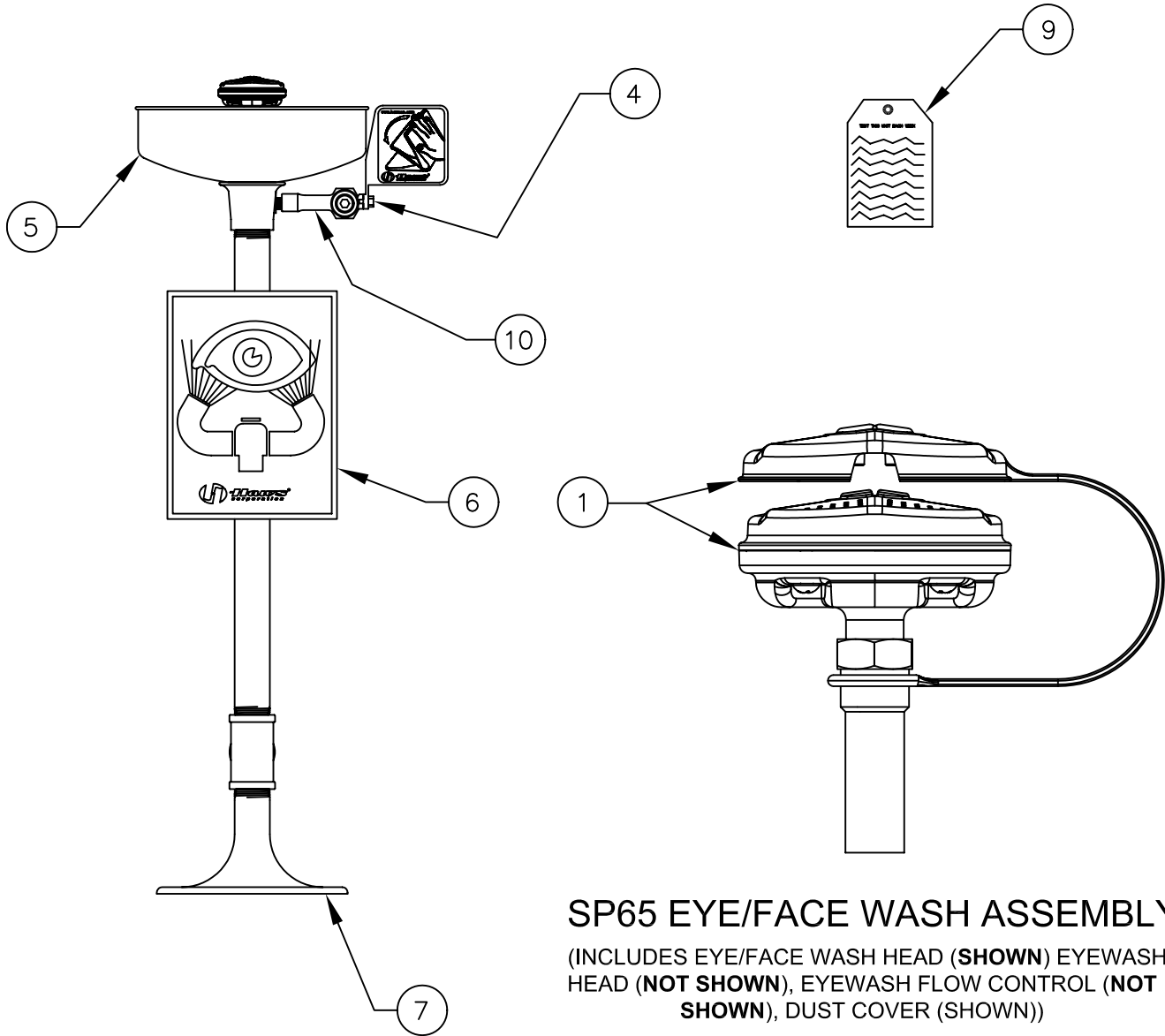


PARTS BREAKDOWN

ITEM	DESCRIPTION
1	SP65 EYE/FACE WASH ASSEMBLY
2	--
3	--
4	SP229 VALVE ASSEMBLY
5	SP90 BOWL
6	SP175 EYEWASH SIGN
7	SP75 FLOOR FLANGE
8	SP220 FOOT TREADLE (NOT SHOWN)
9	SP170 TEST TAG
10	SP509 L-STRAINER
--	VRKEWSTR STR. REPAIR KIT
--	--

OPTIONAL



SP65 EYE/FACE WASH ASSEMBLY

(INCLUDES EYE/FACE WASH HEAD (SHOWN) EYEWASH HEAD (NOT SHOWN), EYEWASH FLOW CONTROL (NOT SHOWN), DUST COVER (SHOWN))

REV	DESCRIPTION	ECN	DATE	BY/APVD
12	UPDATED PER ECN	4367	12/2/09	IR

WHEN ORDERING PARTS PLEASE SPECIFY YOUR MODEL NUMBER



1455 KLEPPE LANE
SPARKS, NEVADA 89431
(775) 359-4712 FAX (775) 359-7424
E-MAIL: HAWS@HAWS.CO.COM
WEBSITE: WWW.HAWS.CO.COM

DRAWN BY: CLF	DATE: 02/24/93	CHECK BY:	APPVD BY:	SCALE: 1/4
TITLE: 7361/7461			PART NUMBER: 0002080056	
DRAWING TYPE: PARTS BREAKDOWN			DRAWING NUMBER: 11453C00	REV: 12