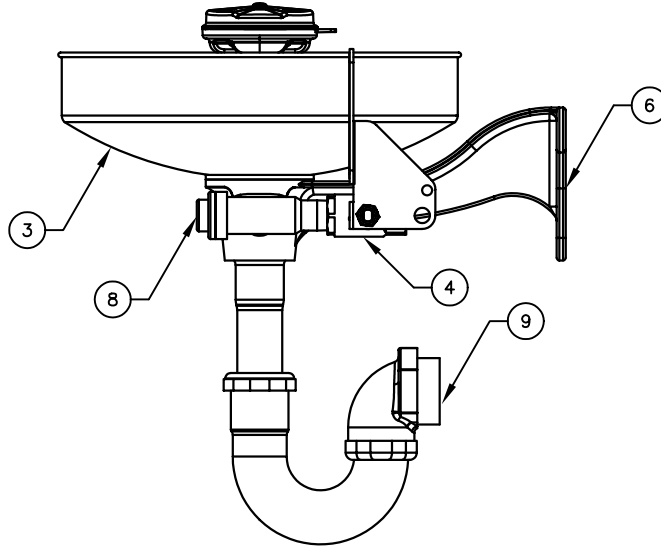
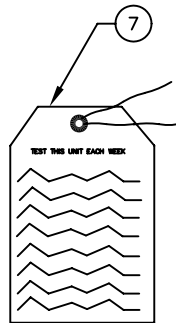
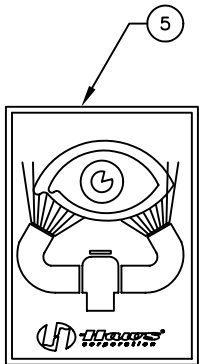
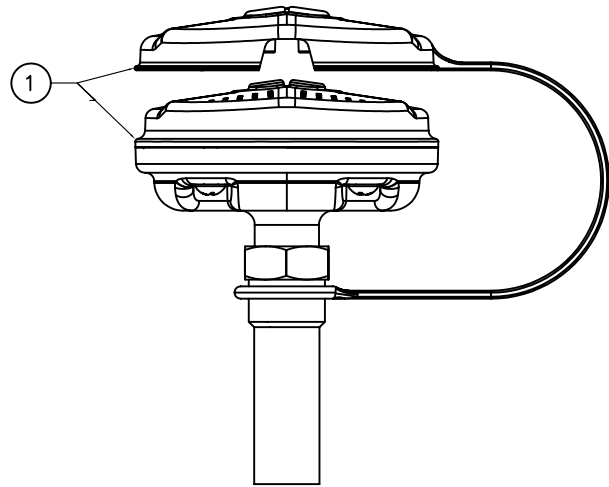


PARTS BREAKDOWN

ITEM	DESCRIPTION
1	SP65 EYE/FACE WASH ASSY
2	-
3	SP90 BOWL
4	SP229 VALVE ASSEMBLY
5	SP175 EYEWASH SIGN
6	SP80 BRACKET
7	SP170 TEST TAG
8	SP509 L-STRAINER
9	SP95 TAILPIECE & TRAP
--	VRKEWSTR STR. REPAIR KIT
--	SP69FC EYEWASH ASSEMBLY



NOTE: SP95 TAILPIECE & TRAP INCLUDED W/MODEL 7360BT & 7460BT ONLY



SP65 EYE/FACE WASH ASSEMBLY
 (INCLUDES: EYE/FACE WASH HEAD (SHOWN)
 EYEWASH HEAD (NOT SHOWN), EYEWASH FLOW
 CONTROL (NOT SHOWN), DUST COVER (SHOWN))

REV	DESCRIPTION	ECN	DATE	BY/APVD
10	UPDATED PER ECN	4367	12/2/09	IR
REVISIONS				

WHEN ORDERING PARTS PLEASE SPECIFY YOUR MODEL NUMBER			1455 KLEPPE LANE SPARKS, NEVADA 89431 (775) 359-4712 FAX (775) 359-7424 E-MAIL: HAWS@HAWS.CO.COM WEBSITE: WWW.HAWS.CO.COM	
	DRAWN BY: CLF	DATE: 02/23/93	CHECK BY:	APPVD BY:
TITLE: 7360B/7460B, 7360BT/7460BT			PART NUMBER: 0002080042	
DRAWING TYPE: PARTS BREAKDOWN			DRAWING NUMBER: 11449C00	REV: 10