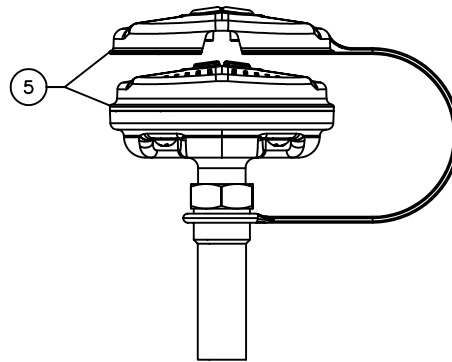
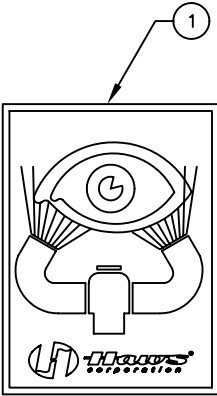
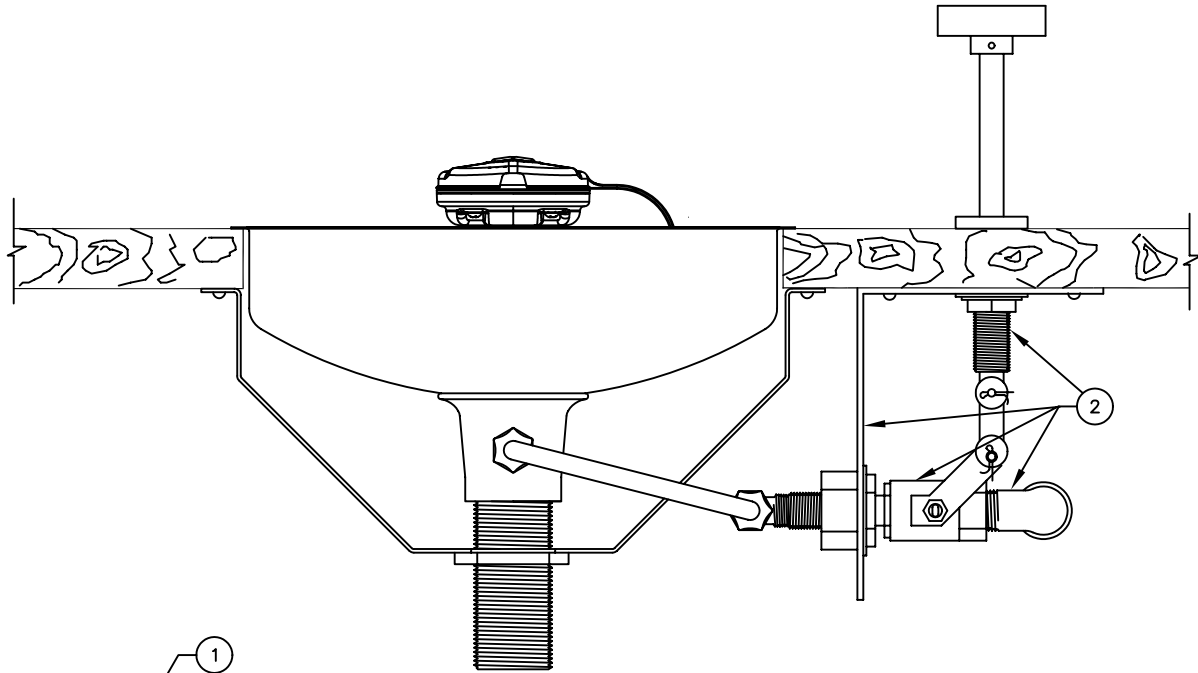


ITEM	DESCRIPTION
1	SP175 EYEWASH SIGN
2	SP256 VALVE/PUSH ROD ASSY.
3	SP65 EYE/FACE WASH ASSY
4	SP170 TEST TAG
5	SP65 EYE/FACE WASH ASSY

PARTS BREAKDOWN



SP65 EYE/FACE WASH ASSEMBLY

(INCLUDES: EYEFACE WASH HEAD (SHOWN)
EYEWASH HEAD (NOT SHOWN), EYEWASH FLOW
CONTROL (NOT SHOWN), DUST COVER (SHOWN),
ADAPTER (SHOWN))

REV	DESCRIPTION	ECN	DATE	BY/APVD
8	REVISED PER	4367	12/2/09	IR
REVISIONS				

**WHEN ORDERING
PARTS PLEASE
SPECIFY YOUR
MODEL NUMBER**



1455 KLEPPE LANE
SPARKS, NEVADA 89431
(775) 359-4712 FAX (775) 359-7424
E-MAIL: HAWS@HAWS.CO.COM
WEBSITE: WWW.HAWS.CO.COM

DRAWN BY: CLF	DATE: 02/24/93	CHECK BY:	APPVD BY:	SCALE: 1/2
TITLE: 7301DM DECK MTD EYE/FACE WASH			PART NUMBER: 0002080035	
DRAWING TYPE: PARTS BREAKDOWN			DRAWING NUMBER: 11581C00	REV: 8