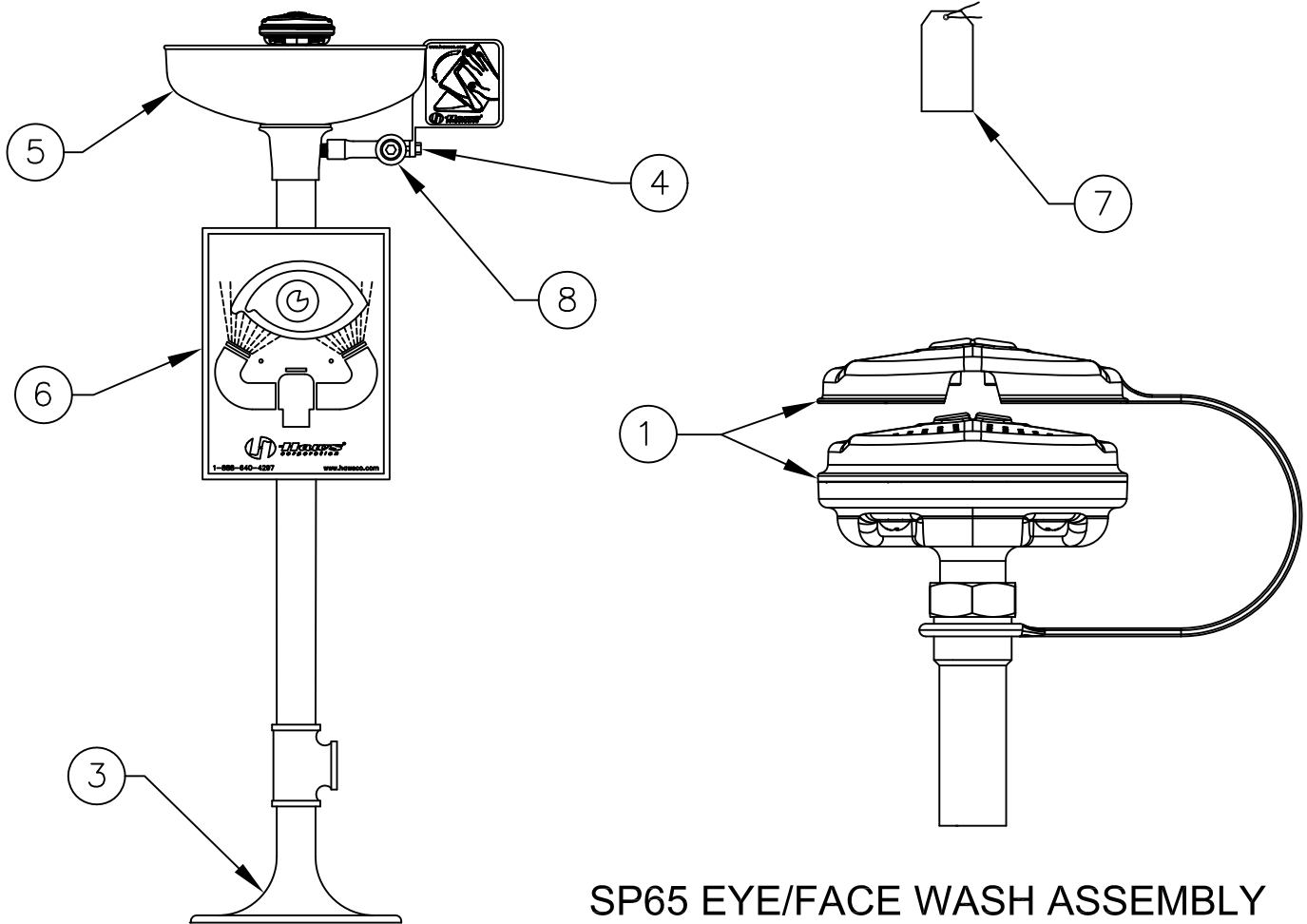


PARTS BREAKDOWN

OPTIONAL

ITEM	DESCRIPTION	PART NO.
1	EYE/FACE WASH ASSY	SP65
2	FOOT TREADLE (NOT SHOWN)	SP220
3	FLOOR FLANGE	SP75
4	VALVE ASSEMBLY	SP229
5	BOWL	SP93
6	EYEWASH SIGN	SP175
7	TEST TAG	SP170
8	L-STRAINER	SP509
--	VRKEWSTR STR. REPAIR KIT	--



SP65 EYE/FACE WASH ASSEMBLY
 (INCLUDES: EYE/FACE WASH HEAD (**SHOWN**)
 EYEWASH HEAD (**NOT SHOWN**), EYEWASH FLOW
 CONTROL (**NOT SHOWN**), DUST COVER (**SHOWN**))

 Haws®		1455 KLEPPE LANE SPARKS, NEVADA 89431 (775) 359-4712 FAX (755) 359-7424 E-MAIL: HAWS@HAWS.CO.COM WEBSITE: WWW.HAWS.CO.COM	
		ECN NO. REVISED PER BY ECN: 4658 HM	MODEL(S) 7261/7271
DRAWN CLF	DATE 02/23/93	CHKD DATE	DRAWING NO. 11447C00
APPROVED	DATE	SCALE: 1:1	DRAWING TYPE: PARTS BREAKDOWN SIZE: A SHEET 1 OF 1

WHEN ORDERING PARTS PLEASE SPECIFY MODEL NUMBER.