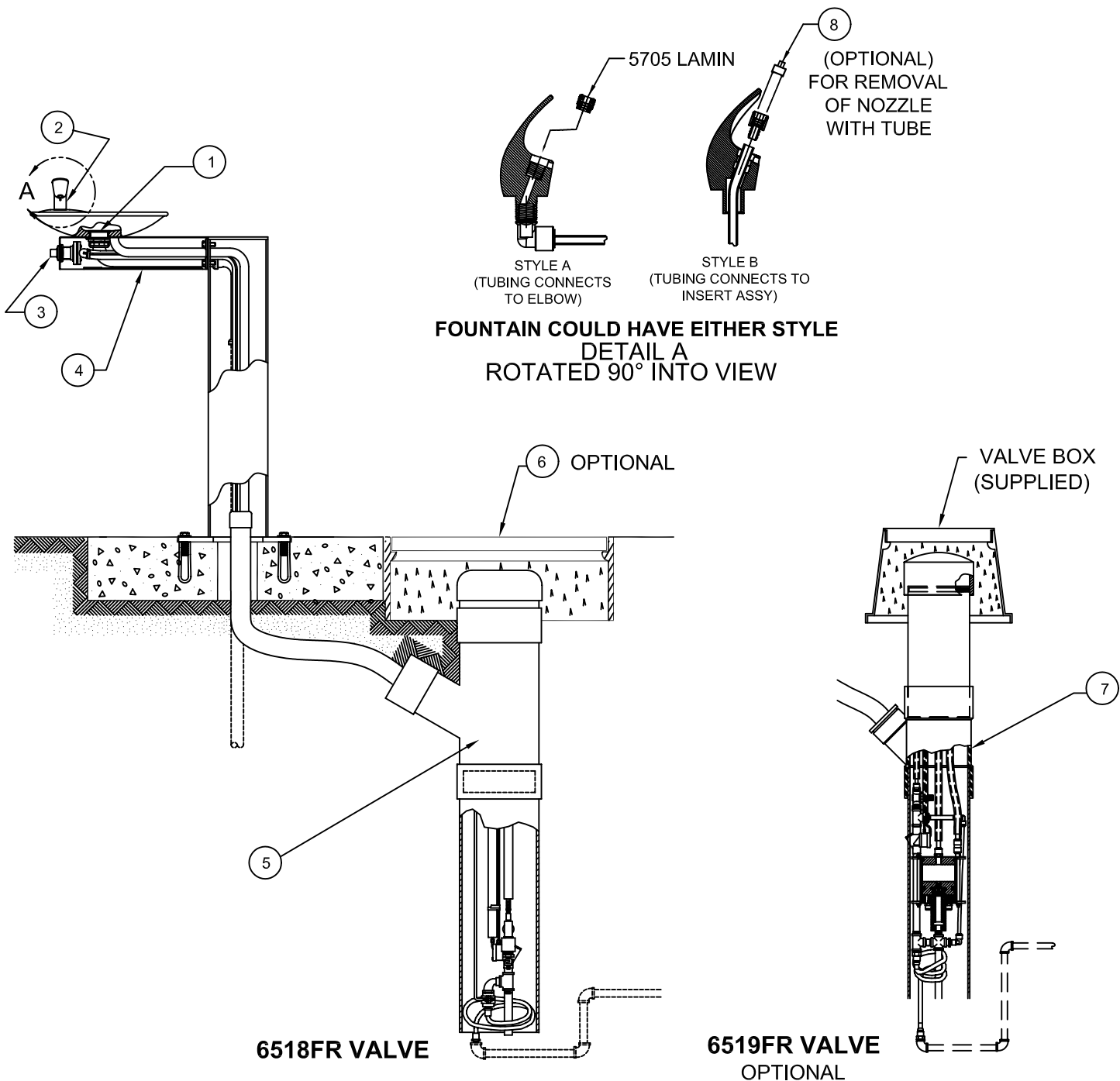



PARTS BREAKDOWN

ITEM	DESCRIPTION
1	STRAINER ASSY 6463
2	BUBBLER HEAD 5705FR (STYLE A OR STYLE B)
3	PUSH BUTTON ASSY 5881PBA
4	BOTTOM PLATE PBM1000
5	VALVE ASSY. 6518FR
6	6625 VALVE BOX (OPTIONAL)
7	VALVE ASSY. 6519FR (OPTIONAL)
8	DRIVER, NOZZLE .25 HEX 0002082253



REV	DESCRIPTION	ECN	DATE	BY/APVD
6	UPDATED PER	4177	12/08/09	HM
REVISIONS				

WHEN ORDERING PARTS PLEASE SPECIFY YOUR MODEL NUMBER			1455 KLEPPE LANE SPARKS, NEVADA 89431 (775) 359-4712 FAX (775) 359-7424 E-MAIL: HAWS@HAWS.CO.COM WEBSITE: WWW.HAWS.CO.COM		
	DRAWN BY: RTM	DATE: 10/20/98	CHECK BY:	APPVD BY:	SCALE: 1:7
	TITLE: 3377FR/3377.6519FR			PART NUMBER: 0002077365	
DRAWING TYPE: PARTS BREAKDOWN			DRAWING NUMBER: 13361C00		REV: 6