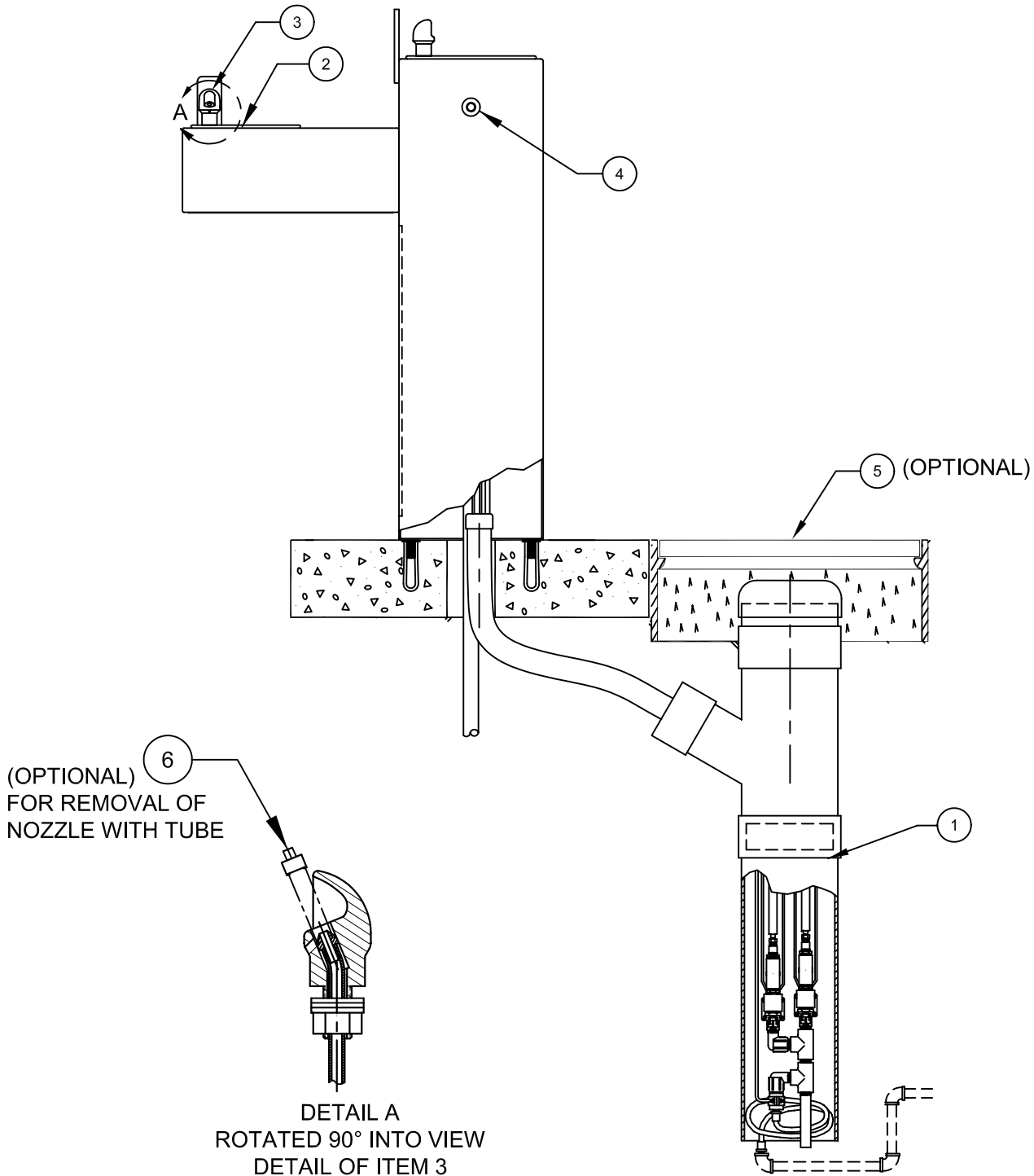


ITEM	DESCRIPTION
1	VALVE 6518.2FR
2	STRAINER ASSY 6466
3	BUBBLER HEAD 5703M
4	PUSH BTN ASS'Y 5881PBA
5	VALVE BOX 6625 (OPTIONAL)
6	DRIVER, NOZZLE .25 HEX 0002082253

# PARTS BREAKDOWN



REV	DESCRIPTION	ECN	DATE	BY/APVD
11	UPDATED PER ECN	4177	11/30/09	HM
REVISIONS				

**WHEN ORDERING PARTS PLEASE SPECIFY YOUR MODEL NUMBER**



1455 KLEPPE LANE  
SPARKS, NEVADA 89431  
(775) 359-4712 FAX (775) 359-7424  
E-MAIL: HAWS@HAWS.CO.COM  
WEBSITE: WWW.HAWS.CO.COM

DRAWN BY: D. OLLOM	DATE: 11/25/95	CHECK BY:	APPVD BY:	SCALE: 1/6
TITLE: 3300FR			PART NUMBER: 0002077342	
DRAWING TYPE: PARTS BREAKDOWN			DRAWING NUMBER: 12814C00	REV: 11