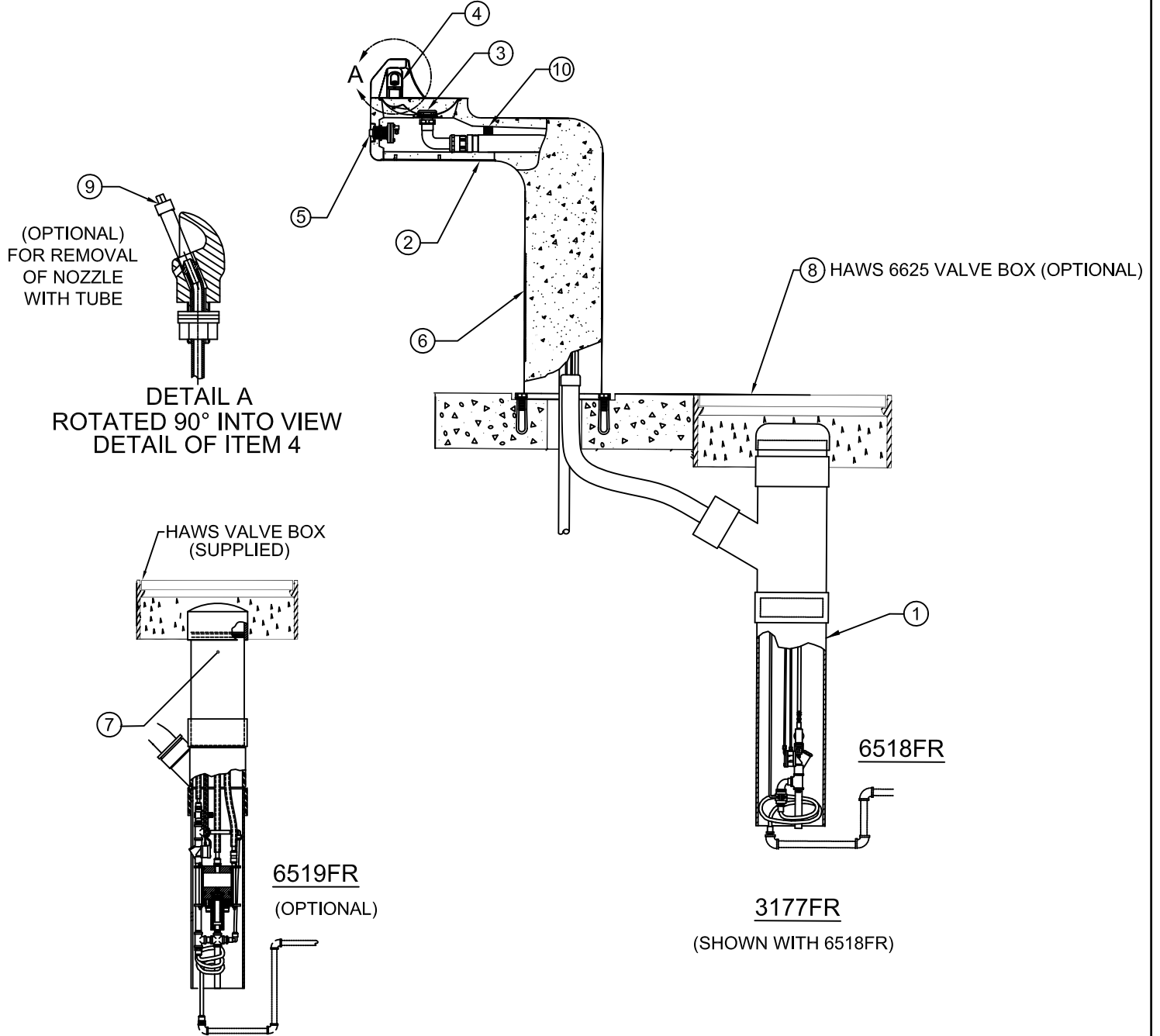


ITEM	DESCRIPTION
1	VALVE 6518FR
2	BOTTOM PLATE PBM3177
3	STRAINER ASSY 6461
4	BUBBLER HEAD 5703M
5	PUSH BUTTON ASSY 5881PBA
6	ACCESS PLATE PA3177
7	VALVE 6519FR (OPTIONAL)
8	HAWS 6625 VALVE BOX (OPTIONAL)
9	DRIVER. NOZZLE .25 HEX 0002082253
10	SPACER 0005365395



1455 KLEPPE LANE  
SPARKS, NEVADA 89431  
(775) 359-4712 FAX (755) 359-7424  
E-MAIL: HAWS@HAWS.CO.COM  
WEBSITE: WWW.HAWS.CO.COM

ECN NO.	REVISED PER	BY	MODEL(S)	PART NUMBER
	ECN: 4584	VWC		0002077325
DRAWN	DATE	CHKD	3177FR	DRAWING NO.
D. OLLOM	11/25/95			12811C00
APPROVED	DATE			REV
			SCALE: 1/12	DRAWING TYPE: PARTS BREAKDOWN
			SIZE: A	SHEET 1 OF 1

WHEN ORDERING PARTS PLEASE SPECIFY MODEL NUMBER.