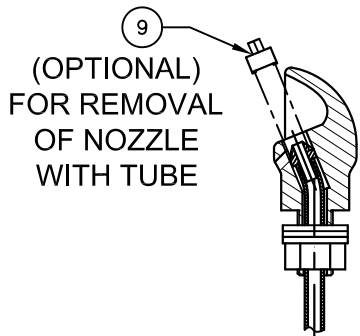


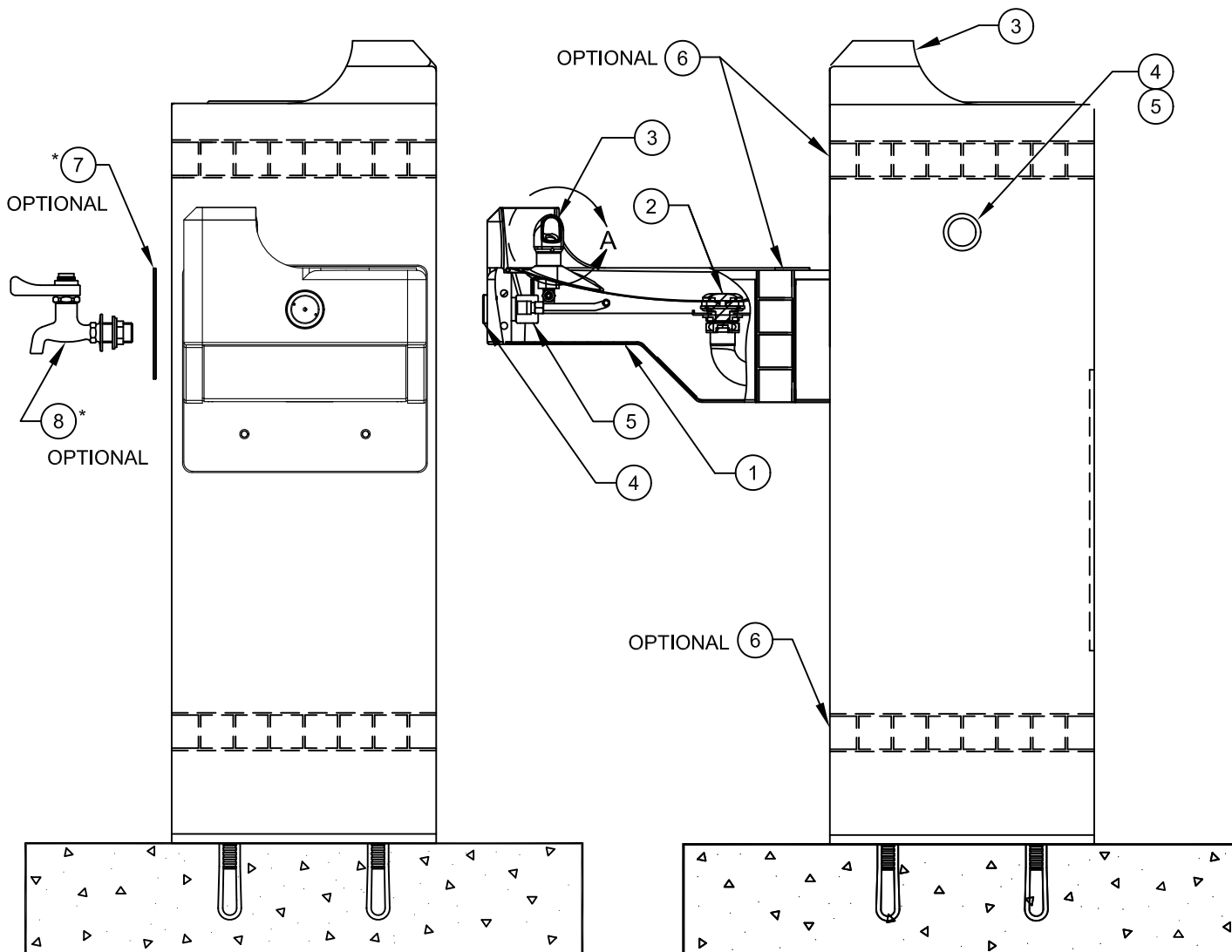
# PARTS BREAKDOWN




DETAIL A  
ROTATED 90° INTO VIEW  
DETAIL OF ITEM 3

ITEM	DESCRIPTION	PART NO.
1	BOTTOM PLATE	PBM1047
2	STRAINER ASSY	6466
3	BUBBLER HEAD	5703M
4	PUSH BTN ASS'Y	PBA7
5	VALVE	5874SS
6	TILE (OPTIONAL)	
7	ACCES PLATE SST W/HOLE (OPTIONAL)	0004499489
8	BIB FAUCET, SELF CLOSING (OPTIONAL)	6250LF
9	DRIVER, NOZZLE .25 HEX	0002082253

**\* NOTE:** ITEM 7 (ACCESS PLATE W/HOLE)  
MUST BE USED WITH ITEM 8  
(BIB FAUCET, SELF CLOSING).



WHEN ORDERING PARTS PLEASE SPECIFY MODEL NUMBER.

 <b>Haws®</b>		1455 KLEPPE LANE SPARKS, NEVADA 89431 (775) 359-4712 FAX (755) 359-7424 E-MAIL: HAWS@HAWS.CO.COM WEBSITE: WWW.HAWS.CO.COM	
		ECN NO. REVISED PER BY ECN: 4686 HM	MODEL(S) 3150
DRAWN D. OLLOM	DATE 11/25/95	CHKD DATE	DRAWING NO. 12808C00
APPROVED	DATE	SCALE: 1:4	DRAWING TYPE: PARTS BREAKDOWN SIZE: A SHEET 1 OF 1