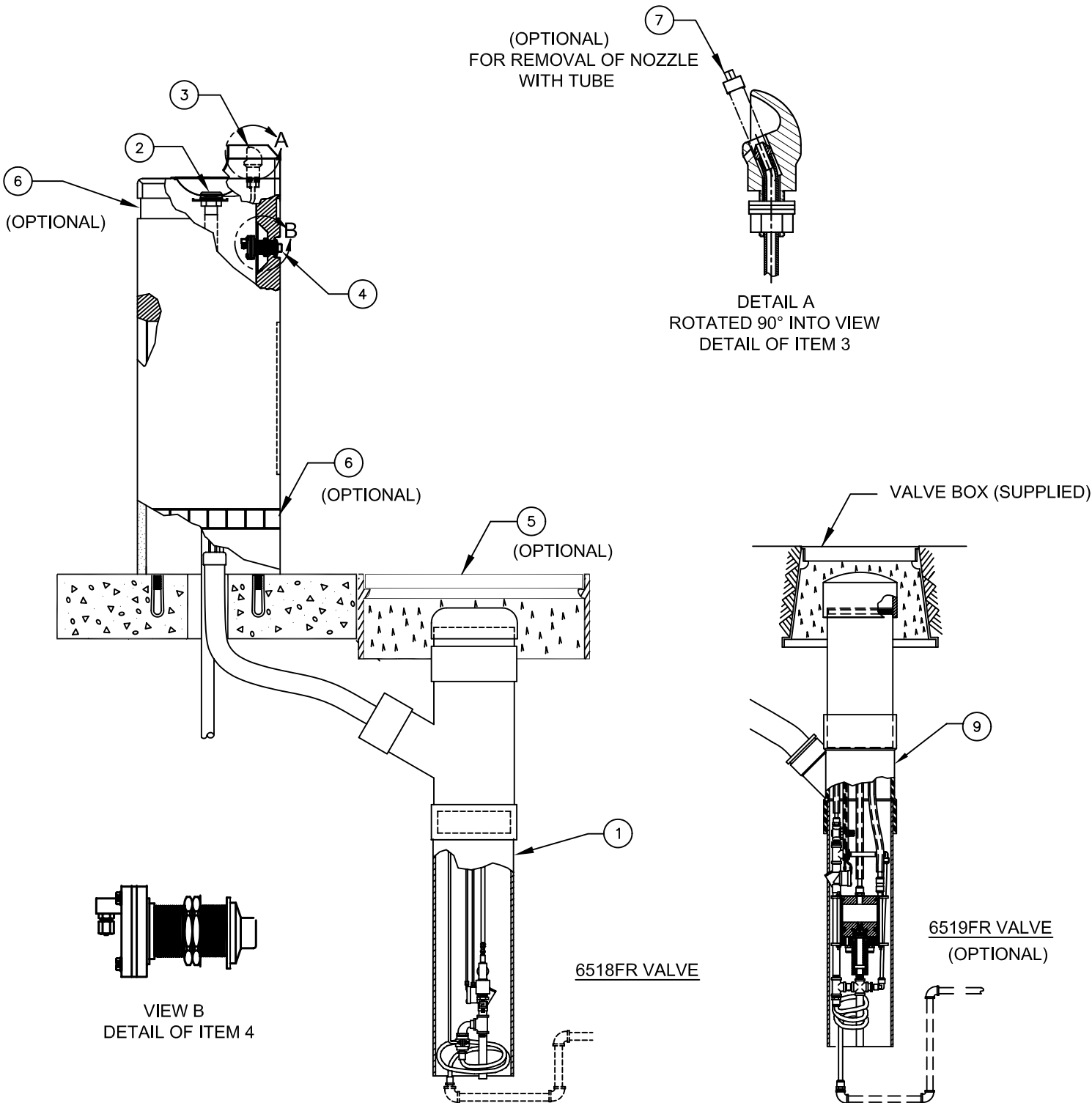


ITEM	DESCRIPTION
1	VALVE 6518FR
2	STRAINER ASSY 6466
3	BUBBLER HEAD 5703M
4	PUSH BTN ASS'Y 5881PBA
5	VALVE BOX 6625 (OPTIONAL)
6	TILE (OPTIONAL)
7	DRIVER, NOZZLE .25 HEX 0002082253
8	-
9	VALVE 6519FR (OPTIONAL)

PARTS BREAKDOWN



WHEN ORDERING PARTS PLEASE SPECIFY YOUR MODEL NUMBER



1455 KLEPPE LANE
SPARKS, NEVADA 89431
(775) 359-4712 FAX (775) 359-7424
E-MAIL: HAWS@HAWS.CO.COM
WEBSITE: WWW.HAWS.CO.COM

DRAWN BY: D. OLLOM	DATE: 11/25/95	CHECK BY:	APPRD BY:	SCALE: 1/8
TITLE: 3121FR/3121.6519FR			PART NUMBER: 0002077064	
DRAWING TYPE: PARTS BREAKDOWN			DRAWING NUMBER: 12807C00	REV: 8

REV	DESCRIPTION	ECN	DATE	BY/APVD
8	UPDATED PER	4177	11/30/09	HM
REVISIONS				