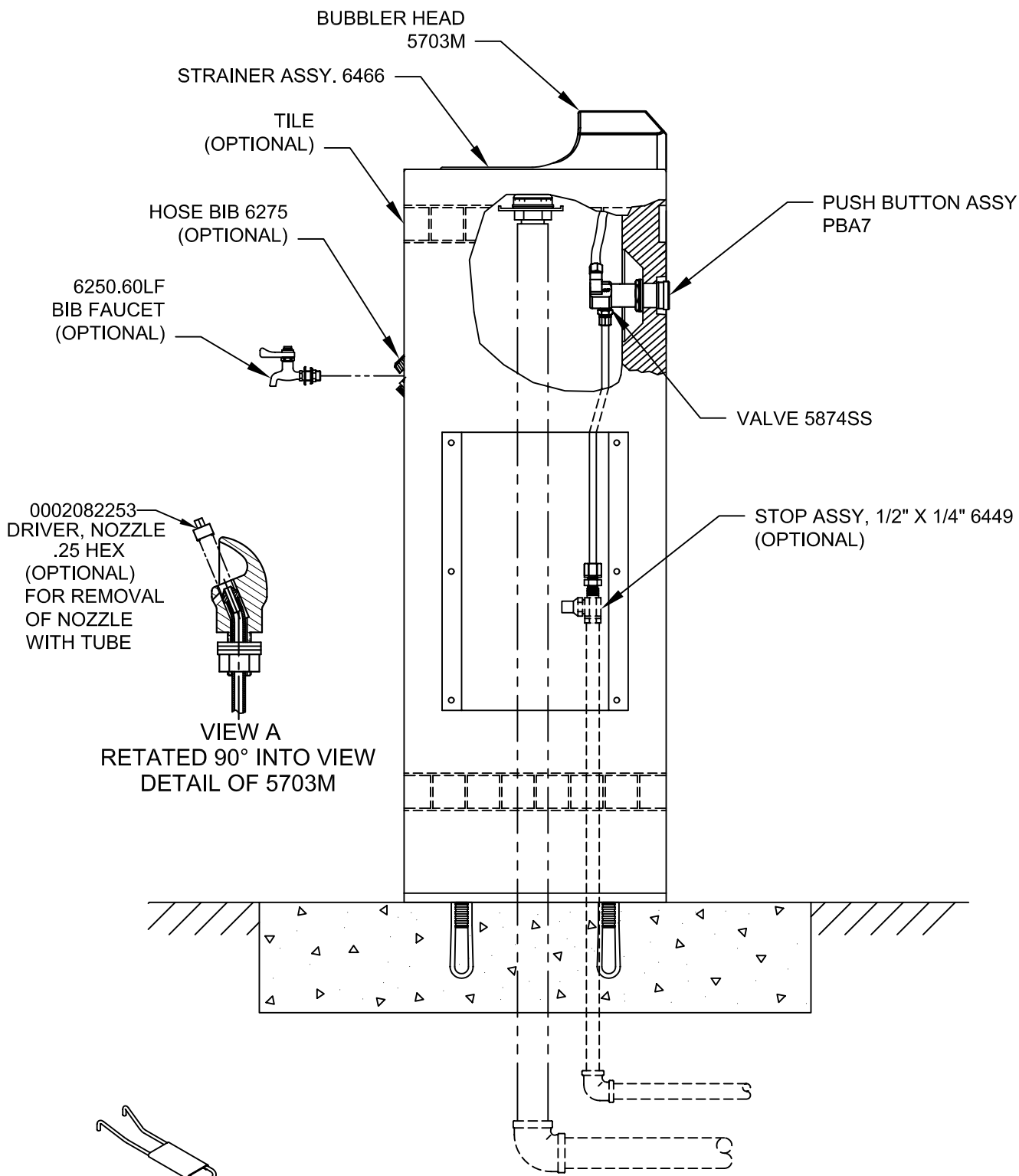


PARTS BREAKDOWN



REV	DESCRIPTION	ECN	DATE	BY/APVD
14	UPDATED PER	4177	12/01/09	HM
REVISIONS				

WHEN ORDERING PARTS PLEASE SPECIFY YOUR MODEL NUMBER



1455 KLEPPE LANE
SPARKS, NEVADA 89431
(775) 359-4712 FAX (775) 359-7424
E-MAIL: HAWS@HAWS.CO.COM
WEBSITE: WWW.HAWS.CO.COM

DRAWN BY: D. OLLOM	DATE: 11/25/95	CHECK BY:	APPVD BY:	SCALE: 1/4
TITLE: 3121			PART NUMBER: 0002077062	
DRAWING TYPE: PARTS BREAKDOWN			DRAWING NUMBER: 12806C00	REV. 14