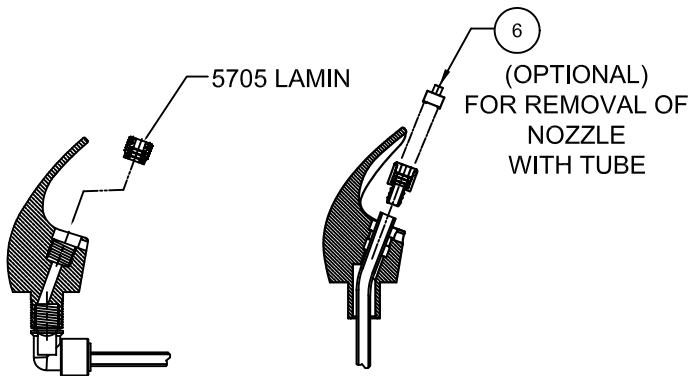
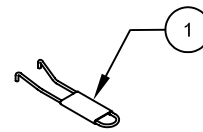
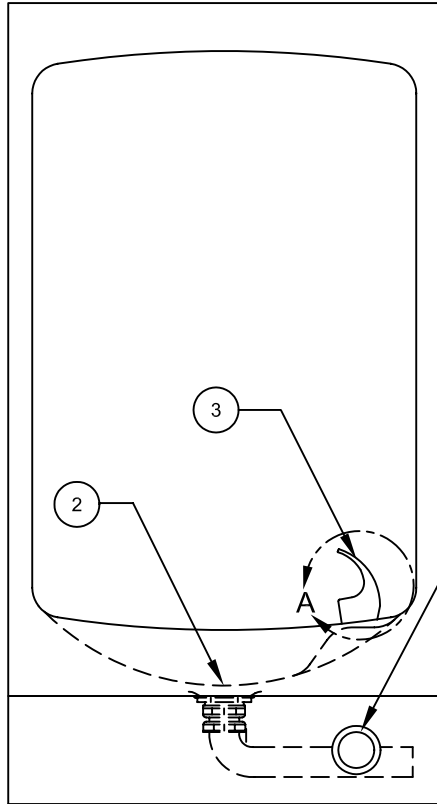


ITEM	DESCRIPTION
1	SPANNER WRENCH P/N 0006983506
2	STRAINER ASSY 6454
3	BUBBLER HEAD 5705 W/INSERT (STYLE A OR STYLE B)
4	PUSH BTN ASS'Y PBA6
5	VALVE 5874SS
6	DRIVER, NOZZLE .25 HEX 0002082253

PARTS BREAKDOWN



STYLE A (TUBING CONNECTS TO ELBOW) STYLE B (TUBING CONNECTS TO INSERT ASSY)

FOUNTAIN COULD HAVE EITHER STYLE

DETAIL A
ROTATED 180° INTO VIEW

		1455 KLEPPE LANE SPARKS, NEVADA 89431 (775) 359-4712 FAX (775) 359-7424 E-MAIL: HAWS@HAWSO.COM WEBSITE: WWW.HAWSO.COM	
		ECN NO: _____ ECN: 4003 REVISIONS: _____ DATE: 11/25/05 BY: HM CHKD: _____	MODEL(S) 2405 DRINKING FOUNTAIN
WHEN ORDERING PARTS PLEASE SPECIFY YOUR MODEL NUMBER		SCALE: 1/4 DRAWING TYPE: PARTS BREAKDOWN	SIZE: A SHEET 1 OF 1