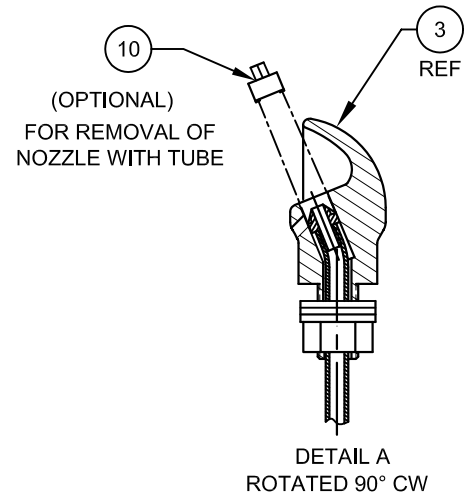
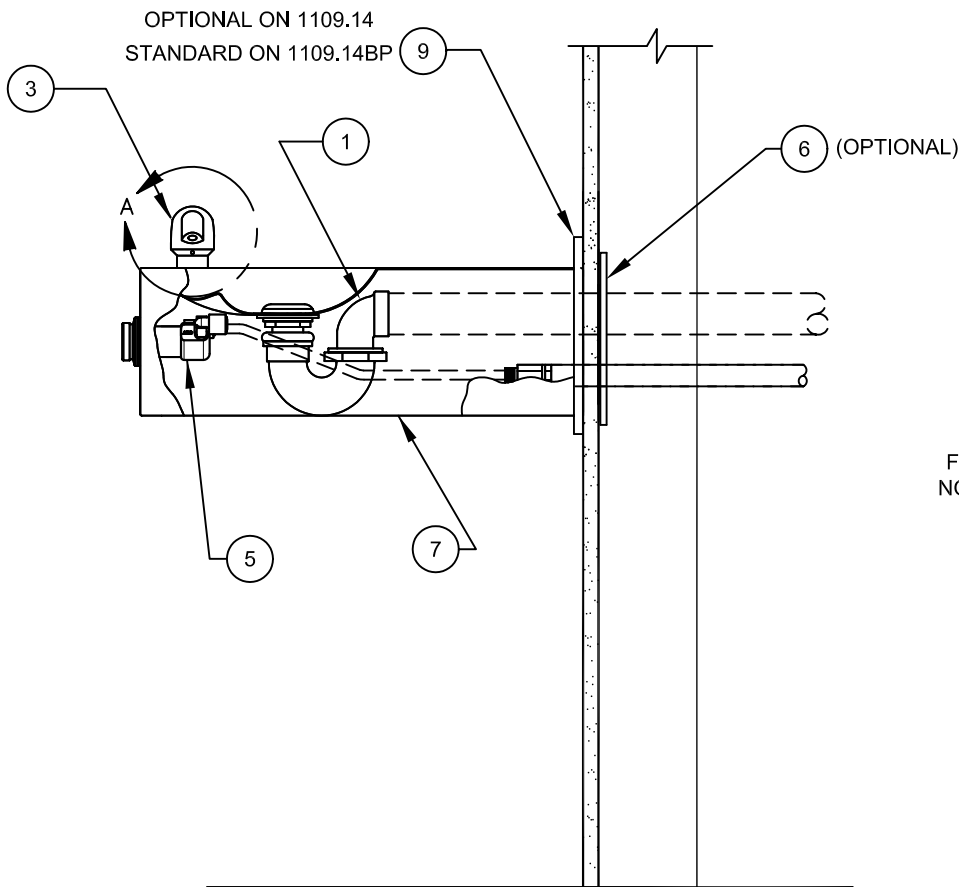
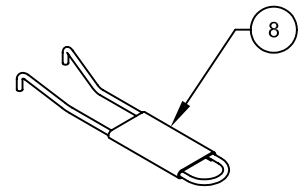
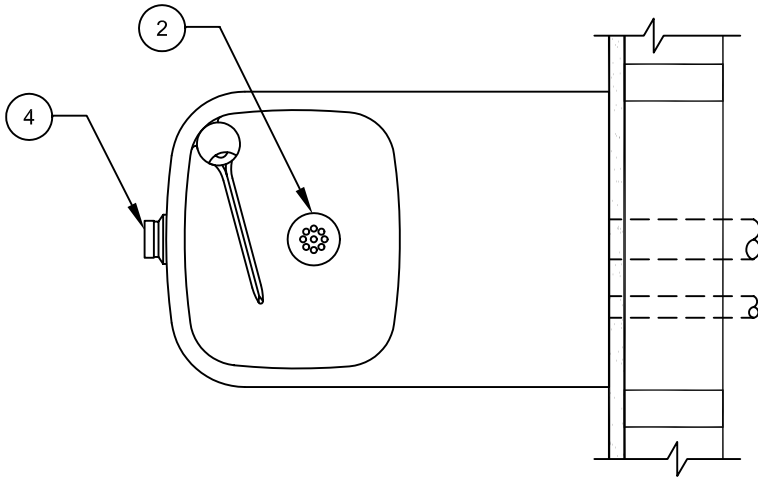


# PARTS BREAKDOWN

ITEM	DESCRIPTION
1	TRAP 0005982900
2	STRAINER ASSEMBLY 6462
3	BUBBLER HEAD 5703M
4	PUSH BUTTON ASSEMBLY PBA6
5	VALVE 5874SS
OPTIONAL 6	MOUNTING PLATE 6700
7	ACCESS PLATE PBM1109
8	SPANNER WRENCH P/N 0006983506
9	BACK PANEL BP3
OPTIONAL 10	DRIVER, NOZZLE .25 HEX 0002082253



**Haws**®

1455 KLEPPE LANE  
SPARKS, NEVADA 89431  
(775) 359-4712 FAX (755) 359-7424  
E-MAIL: HAWS@HAWS.CO.COM  
WEBSITE: WWW.HAWS.CO.COM

ECN NO. 4603	REVISED PER BY HM	MODEL(S)	PART NUMBER
DATE 04/23/98	DATE	1109.14/1109.14BP	0002076625
APPROVED	DATE	SCALE: 1:1	DRAWING NO. 13376C00
		DRAWING TYPE: INSTALLATION	REV 13
		SIZE: A	SHEET 1 OF 1

WHEN ORDERING PARTS PLEASE SPECIFY MODEL NUMBER.