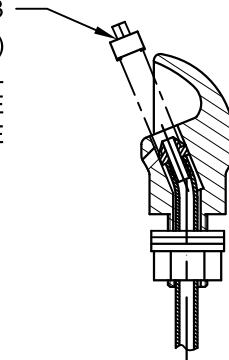


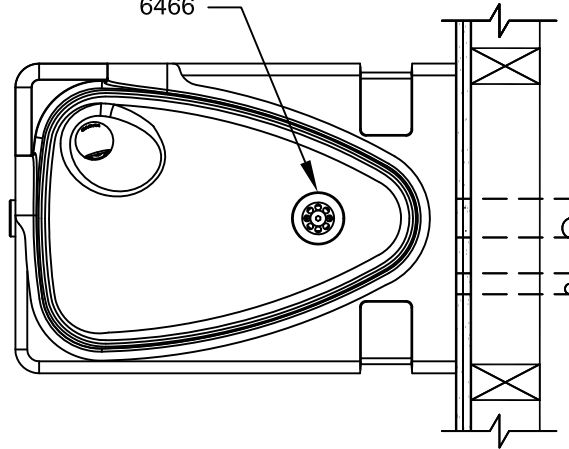
# PARTS BREAKDOWN

0002082253  
(OPTIONAL)  
FOR REMOVAL  
OF NOZZLE  
WITH TUBE



DETAIL A  
ROTATED 90° INTO VIEW  
DETAIL OF 5703M

STRAINER ASSY.  
6466



BUBBLER HEAD  
5703M

TRAP  
P/N 0005987000

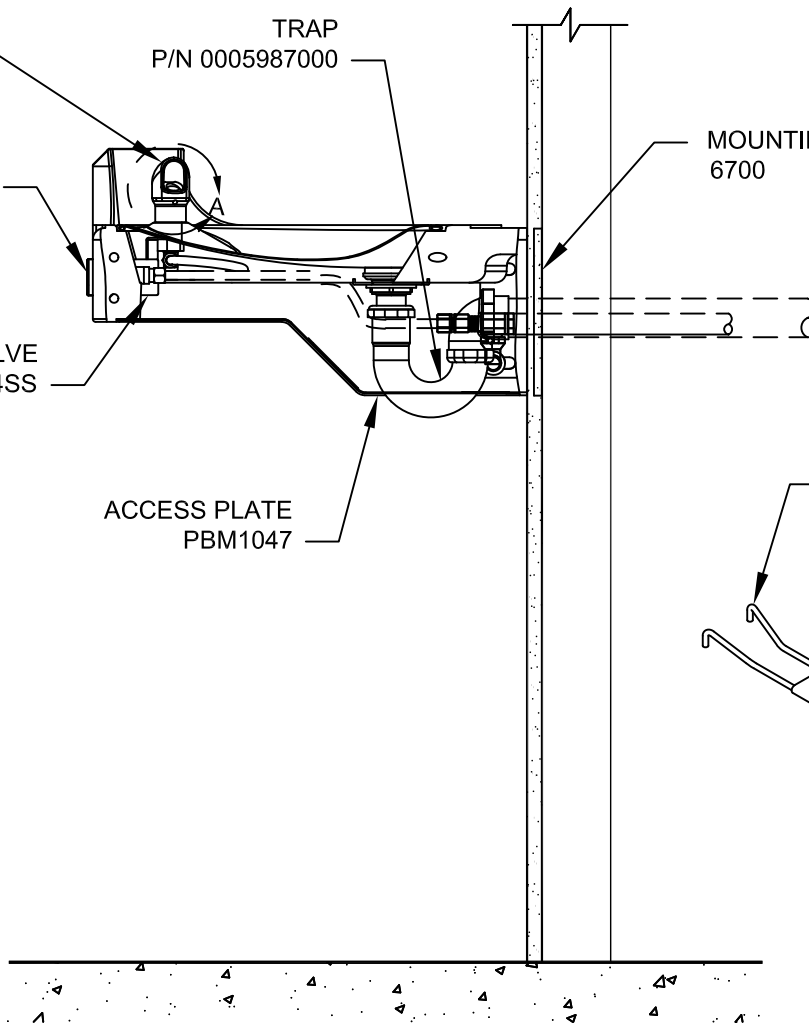
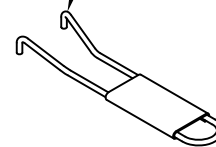
MOUNTING PLATE  
6700

PUSH BUTTON ASSY.  
PBA7

VALVE  
5874SS

ACCESS PLATE  
PBM1047

SPANNER WRENCH  
P/N 0006983506



1455 KLEPPE LANE  
SPARKS, NEVADA 89431  
(775) 359-4712 FAX (755) 359-7424  
E-MAIL: HAWS@HAWS.CO.COM  
WEBSITE: WWW.HAWS.CO.COM

ECN NO.	REVISED PER	BY	MODEL(S)	PART NUMBER
	ECN: 4686	HM	1047	0002076418
DRAWN	DATE	CHKD	WALL MOUNTED DRINKING FOUNTAIN	DRAWING NO.
D. OLLOM	11/25/95			12781C00
APPROVED	DATE		SCALE: 1:1	DRAWING TYPE: PARTS BREAKDOWN
			SIZE: A	SHEET 1 OF 1

WHEN ORDERING PARTS PLEASE SPECIFY MODEL NUMBER.