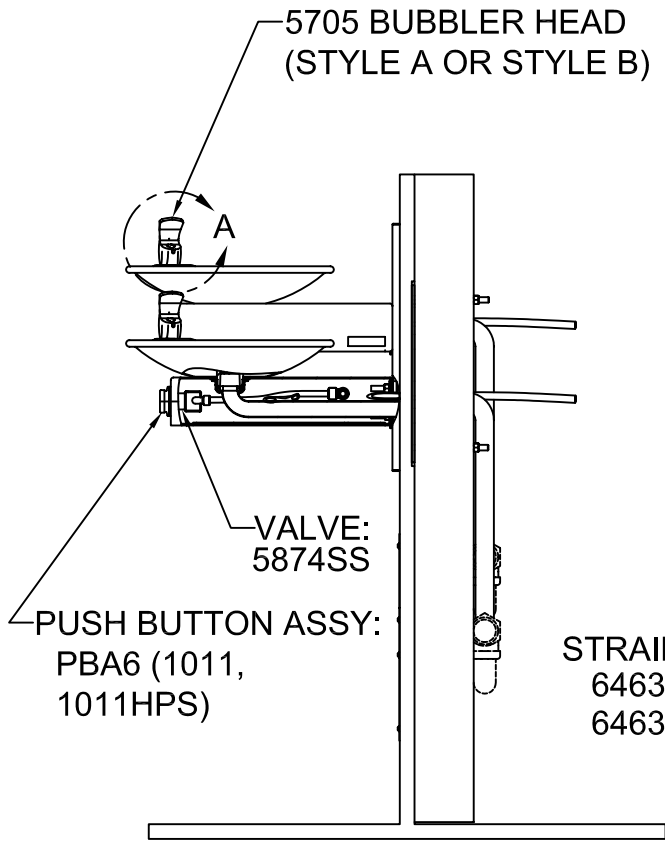


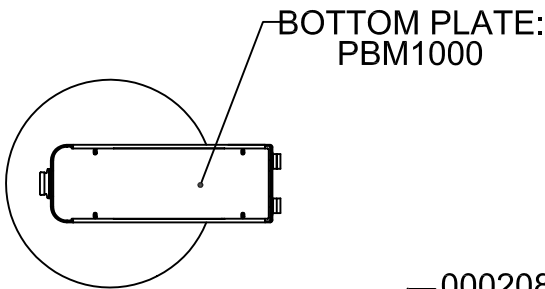
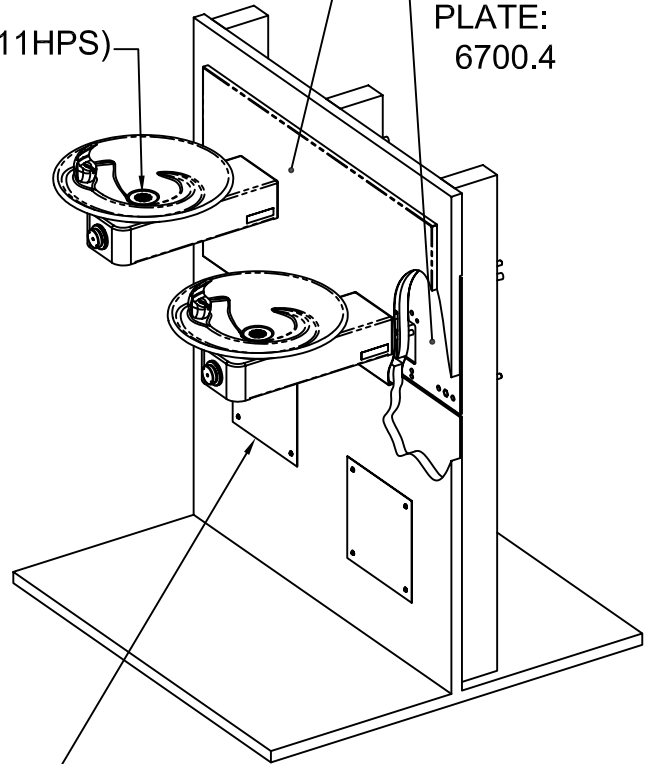
# PARTS BREAKDOWN



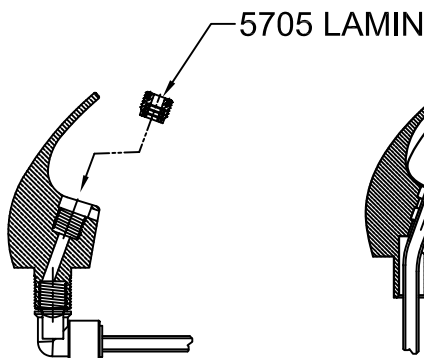
BACK PANEL:  
0004012000 (1011)  
0004012023 (1011HPS)

STRAINER:  
6463 (1011)  
6463PCP (1011HPS)

MOUNTING  
PLATE:  
6700.4



0002082253  
(OPTIONAL)  
FOR REMOVAL  
OF NOZZLE  
WITH TUBE



STYLE A  
(TUBING CONNECTS  
TO ELBOW)

STYLE B  
(TUBING CONNECTS TO  
INSERT ASSY)

TRAP ACCESS PANEL (OPTIONAL):  
6603 (1011)  
6603HPS (1011HPS)

**FOUNTAIN COULD HAVE EITHER STYLE**

DETAIL A  
ROTATED 90° INTO VIEW

		1455 KLEPPE LANE SPARKS, NEVADA 89431 (775) 359-4712 FAX (775) 359-7424 E-MAIL: HAWS@HAWSO.COM WEBSITE: WWW.HAWSO.COM		
		ECN NO: 4003 REVISION: 4003 DATE: 10/19/08 DRAWN: RM APPROVED:	BY: HM CHKD:	MODEL(S) 1011/1011HPS DRINKING FOUNTAIN
<b>WHEN ORDERING PARTS PLEASE SPECIFY YOUR MODEL NUMBER</b>		SCALE: 1:1	DRAWING TYPE: PARTS BREAKDOWN	SIZE: A SHEET 1 OF 1