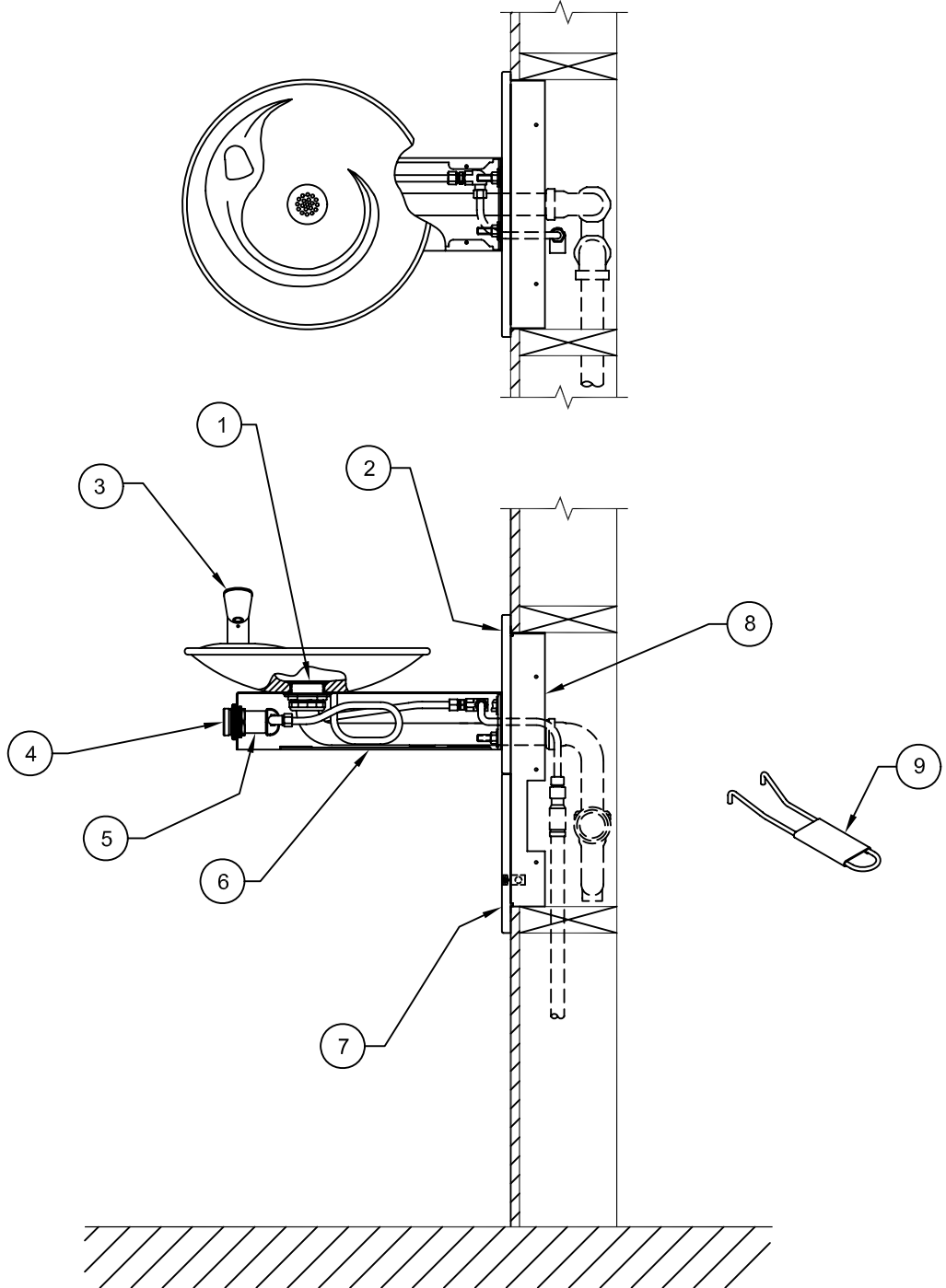


ITEM	DESCRIPTION	1001MS	1001HPSMS
1	STRAINER	6463	6463PCP
2	BACK PANEL	BP6	BP6HPS
3	BUBBLER HEAD & INSERT	5705	5705
4	PUSH BUTTON ASSY	PBA6	PBA6
5	VALVE	5874	5874
6	BOTTOM PLATE	PBM1000	PBM1000
7	ACCESS PANEL	6606	6606HPS
8	MOUNTING FRAME	MTGFR.DF1	MTGFR.DF1
9	SPANNER WRENCH	0006983506	0006983506

# PARTS BREAKDOWN



REV	DESCRIPTION	ECN	DATE	BY/APVD
5	UPDATE PER	3878	11/30/06	HM
4	UPDATE PER	3812	1/09/06	JF
3	UPDATE PER	3666	8/30/04	JF
2	UPDATE PER	3436	4/01/04	JF
1	UPDATE PER	3201	7/24/02	JF
0	CREATED PER ECN	2717	8/2/99	PM

**WHEN ORDERING PARTS PLEASE SPECIFY YOUR MODEL NUMBER**



**Haws**  
corporation

1455 KLEPPE LANE  
SPARKS, NEVADA

BACHWEG 3  
CH3401 BURGENDORF  
SWITZERLAND

DRAWN BY: P. MCMULLEN	DATE: 08/02/99	CHECK BY:	APP'VD BY:	SCALE: 1/5
TITLE: 1001MS/1001HPSMS			PART NUMBER: 0002076510	
DRAWING TYPE: PARTS BREAKDOWN			DRAWING NUMBER: 14222C00	
				REV. 5