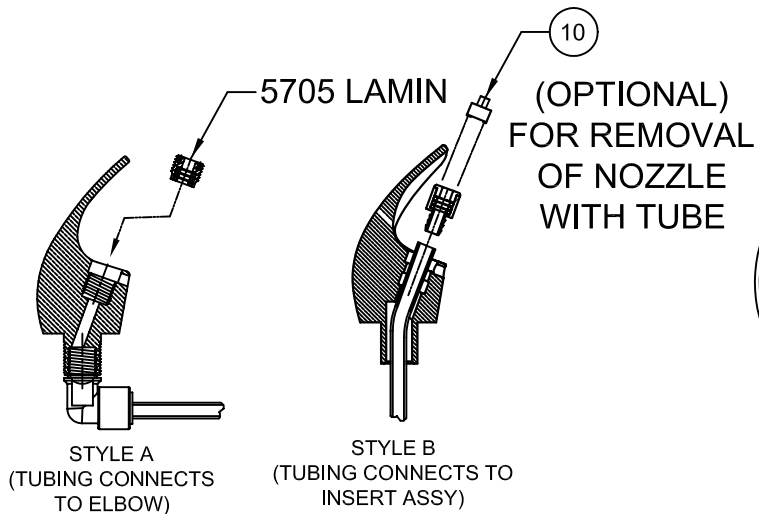


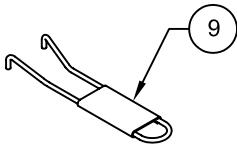
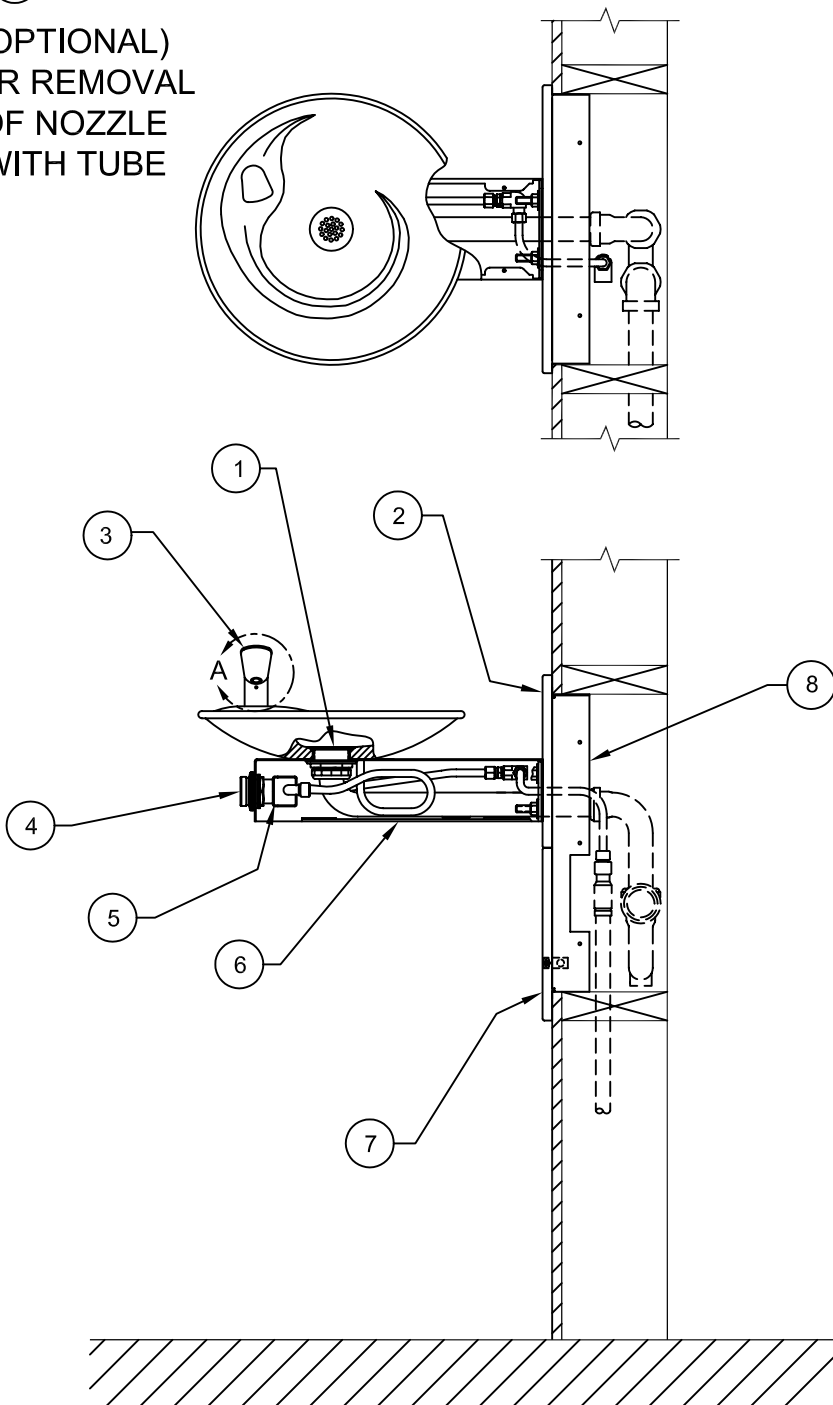
ITEM	DESCRIPTION	1001MS	1001HPSMS
1	STRAINER	6463	6463PCP
2	BACK PANEL	BP6	BP6HPS
3	BUBBLER HEAD & INSERT (STYLE A OR STYLE B)	5705	5705
4	PUSH BUTTON ASSY	PBA6	PBA6
5	VALVE	5874SS	5874SS
6	BOTTOM PLATE	PBM1000	PBM1000
7	ACCESS PANEL	6606	6606HPS
8	MOUNTING FRAME	MTGFR.DF1	MTGFR.DF1
9	SPANNER WRENCH	0006983506	0006983506
10	DRIVER, NOZZLE .25 HEX	0002082253	0002082253

PARTS BREAKDOWN



FOUNTAIN COULD HAVE EITHER STYLE

DETAIL A ROTATED 90° INTO VIEW





Haws[®]

1455 KLEPPE LANE
SPARKS, NEVADA 89431
(775) 359-4712 FAX (775) 359-7424
E-MAIL: HAWS@HAWSO.COM
WEBSITE: WWW.HAWSO.COM

ECON NO. REVISED PER BY:		MODEL(S)		PART NUMBER:	
ECN: 4175 HM		1001MS/1001HPSMS		0002076510	
DRAWN: PM	DATE: 08/02/99	CHKD.:	DRAWING NO.:		REV.:
APPROVED:	DATE:	DRINKING FOUNTAIN		14222C00	6
SCALE: 1/5			DRAWING TYPE: PARTS BREAKDOWN		SIZE: A SHEET 1 OF 1

WHEN ORDERING PARTS PLEASE SPECIFY YOUR MODEL NUMBER