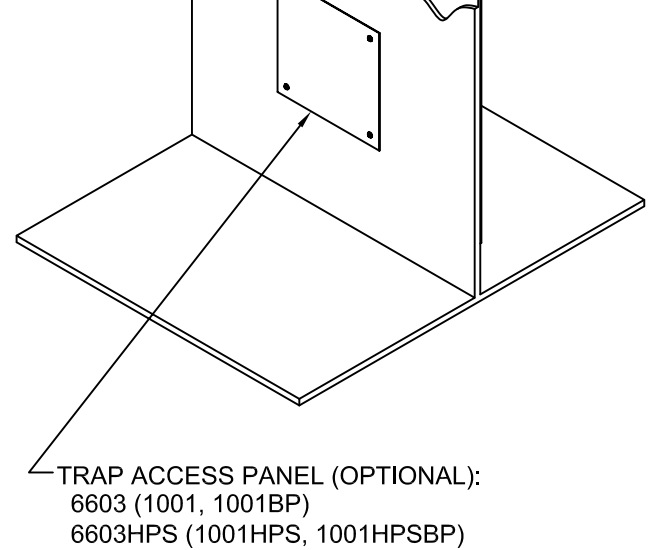
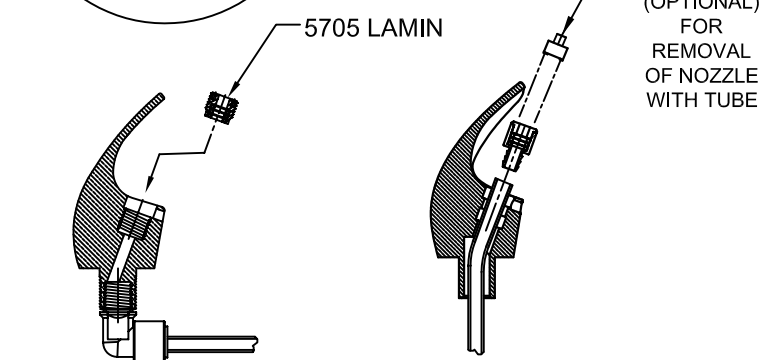
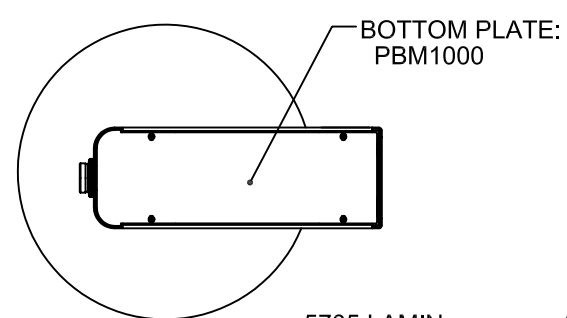
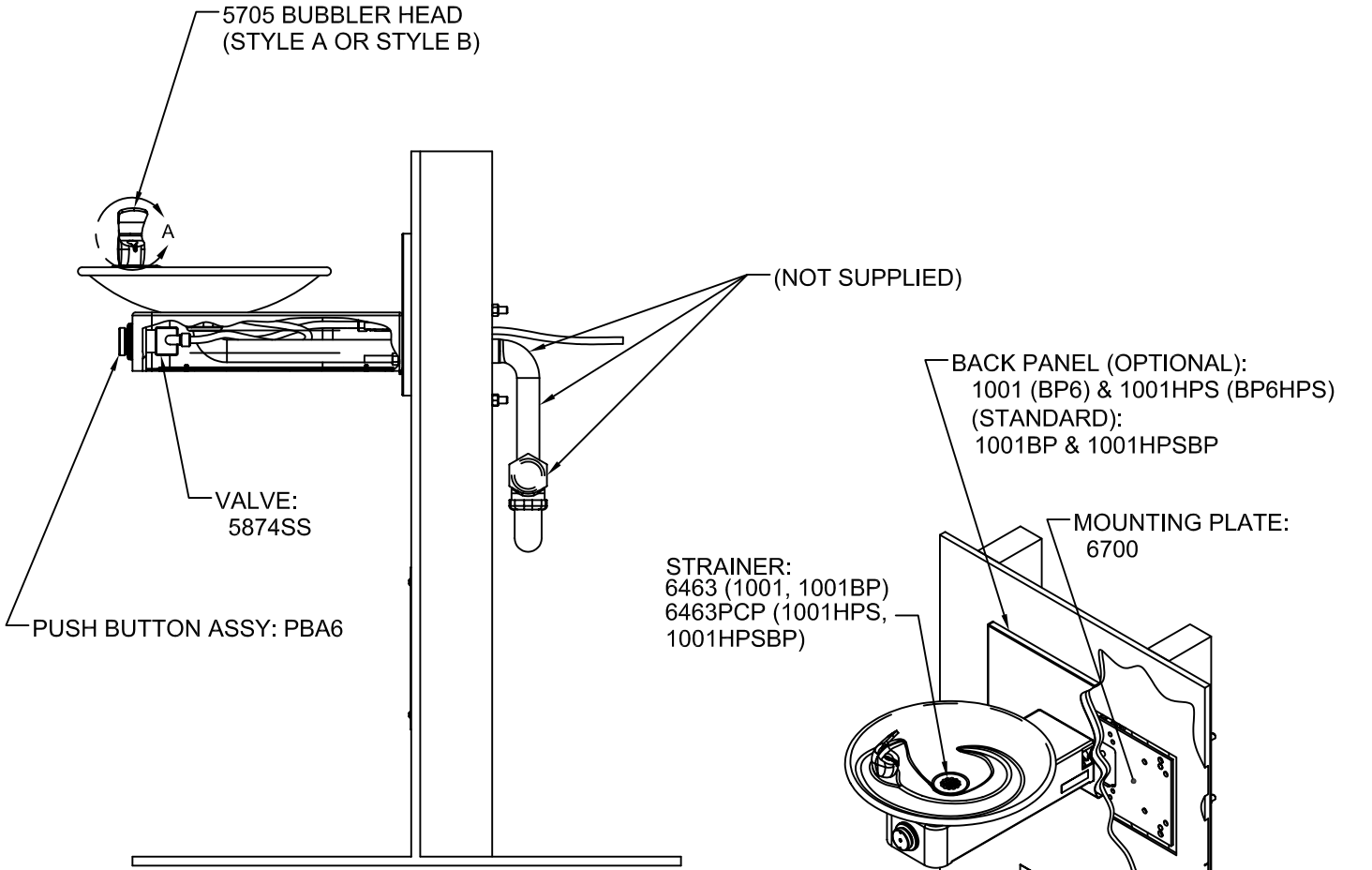



PARTS BREAKDOWN



STYLE A
(TUBING CONNECTS TO ELBOW)
FOUNTAIN COULD HAVE EITHER STYLE
DETAIL A
ROTATED 90° INTO VIEW

STYLE B
(TUBING CONNECTS TO INSERT ASSY)



1455 KLEPPE LANE
SPARKS, NEVADA 89431
(775) 359-4712 FAX (775) 359-7424
E-MAIL: HAWS@HAWS.CO.COM
WEBSITE: WWW.HAWS.CO.COM

ECN NO:	REVISED PER:	BY:	MODEL(S)
ECN: 4693	HM		1001/1001BP/1001HPS/1001HPSBP
DRAWN:	DATE:	CHK'D:	
RMT	10/19/98		DRINKING FOUNTAIN
APPROVED:	DATE:		SCALE: 1:1
			DRAWING TYPE: PARTS BREAKDOWN
			PART NUMBER: 0002076304
			DRAWING NO.: 15989A00
			REV. 15
			SIZE: A SHEET 1 OF 1

WHEN ORDERING PARTS PLEASE SPECIFY YOUR MODEL NUMBER