



# INSTALLATION, OPERATION & MAINTENANCE INSTRUCTIONS

1455 Kleppe Lane ♦ Sparks, NV 89431-6467 ♦ (775) 359-4712 ♦ Fax (775) 359-7424  
E-mail: [haws@hawsco.com](mailto:haws@hawsco.com) ♦ website: [www.hawsco.com](http://www.hawsco.com)

No. 2080246(16)

## Model H1001.8/H1001.8HPS Water Cooler

**NOTE TO INSTALLER:** Please leave this information with the Maintenance Department.

Haws electric water cooler's are not designed or recommended for outdoor or corrosive environments such as enclosed chlorinated pool areas.

Consideration must be made at the time of installation to adhere to state and/or local codes and environmental/atmospheric conditions such as, but not limited to, dust, corrosion, freezing etc. These conditions will void the warranty.

**CAUTION!** Prior to making any electrical connections, verify with a voltmeter that power from the service panel is **off**.

### LIMITED WARRANTY

HAWS® warrants that all of its products are guaranteed against defective material or poor workmanship for a period of **one year from date of shipment**. HAWS liability under this warranty shall be discharged by furnishing without charge F.O.B. HAWS Factory any goods, or part thereof, which shall appear to the Company upon inspection to be of defective material or not of first class workmanship, provided that claim is made in writing to company within a reasonable period after receipt of the product. Where claims for defects are made, the defective part or parts shall be delivered to the Company, prepaid, for inspection. HAWS will not be liable for the cost of repairs, alterations or replacements, or for any expense connected therewith made by the owner or his agents, except upon written authority from HAWS, Sparks, Nevada. HAWS will not be liable for any damages caused by defective materials or poor workmanship, except for replacements, as provided above. Buyer agrees that Haws has made no other warranties either expressed or implied in addition to those above stated, except that of title with respect to any of the products or equipment sold hereunder and that HAWS shall not be liable for general, special, or consequential damages claimed to arise under the contract of sale. The drinking fountain manufactured by HAWS is warranted to function if installation and maintenance instructions provided are adhered to. The units also must be used for the purpose for which they were intended.

**NO OTHER WARRANTIES EXPRESSED OR IMPLIED ARE AUTHORIZED, PROVIDED OR GIVEN BY HAWS.**

**SHOULD YOU EXPERIENCE DIFFICULTY WITH THE INSTALLATION OF THIS MODEL PLEASE CALL:**

**TECHNICAL SUPPORT: 1-800-766-5612**

**FOR CUSTOMER SERVICE: 1-888-640-4297**

**RECOMMENDED TOOLS:** Hack saw, pipe joint sealant, screwdriver, level, 12" adjustable wrench, 10" pipe wrench, 3/32" and 5/32 " hex key wrench, 9/16", 1/2", 7/16" socket wrench or open end wrench.

**LOCATION OF UNIT:** The Model H1001.8/H1001.8HPS Cooler is a wheelchair accessible drinking facility. The height dimensions shown, meet current ADA requirements. When installing this unit, local, state or federal codes should be adhered to. If height other than shown is required, then dimensions must be adjusted accordingly.

**SUPPLY LINE:** The minimum recommended line size is 1/2"IPS with 30-90 psi (2-6 ATM) flowing pressure. Where sediment or mineral content is a problem, an inlet filter is recommended.

**PLUMBING CONNECTIONS:** Inlet is 3/8" O.D. tube. Waste outlet is 1-1/4" O.D. tube.

**ELECTRICAL CONNECTIONS:** 115VAC, 60HZ, 4.7 AMPS. Chiller wired direct to incoming line, by others.

**PARTS LIST**

<b>MODEL PACKAGE</b>	<b>QUANTITY</b>	<b>ITEMS INCLUDED</b>
MTGFR.SM	1	Mounting Frame
	3	#10 Sheet Metal Screws
HCR8	1	Chiller
H1001.8/H1001.8HPS	1	Bowl Assembly
	1	Package supply tubing and two (2) fittings
	1	Grille
	1	Package of two each-grille attachment clips, clip nuts, #10 sheet metal screws and 6-32 screws
	4	5/16 -18 retainer nuts
	4	5/16 – 18 x 1 hex head screws
	1	Waste elbow 1-1/4" O.D.

# INSTALLATION PROCEDURE

## GENERAL NOTES:

The Model H1001.8/H1001.8HPS Water Cooler assembly requires installation of the mounting frame as described in Steps 1 - 2, then mounting the fountain bowl assembly as described in Steps 3 - 6, and finally completing chiller water and electrical connections and starting chiller per Steps 7 - 11. First check that all required parts are received.

**Grounding may cause electrical feedback into the electric drinking fountain causing an electrolysis, which creates a metallic taste or an increase in the metal content of the water. This condition can be avoided by using dielectric couplings in the assembly. The waste line, which is supplied by the installer, should also have a dielectric (plastic) coupling to completely isolate the assembly from the building plumbing system.**

**For all plastic push-in type fitting connections; push tubing into fitting until it bottoms out to ensure a watertight connection. To remove, depress the collet and pull tubing out. Only connect NSF-61 copper or plastic tubing to these push-in-type fittings.**

**STEP 1:** Provide wall opening as detailed in Installation Drawing. Frame must be positioned such that frame flanges overlap and butt against finished wall surface. Mounting holes are provided for #6 sheet metal screws. After frame is positioned in wall, swing chiller support tray into position (See Installation Drawing), align tray holes with holes in frame and fasten with #10 sheet metal screws. Mounted frame must support 50 pound chiller in addition to fountain weight and user generated forces.

**STEP 2:** Install waste, supply and electrical lines in locations shown in Installation Drawing. Waste and supply lines may be installed for either rear or side entry. Verify proper waste, supply, electrical and frame locations. Use level to verify horizontal and vertical frame mounting to insure proper bowl drainage.

**STEP 3:** Installation Drawing shows fountain bowl, back panel and grille locations. Unpack bowl and remove bottom plate using 3/32" hex allen wrench. Install back panel on frame with narrower edge to bottom. Position nut retainers into mounting frame and use two 5/16-18x1 hex head screws partially started in outside holes to support panel. Install bowl/bracket assembly onto panel using four 5/16-18x1 hex head screws hand tightened. See sheet 2 of Installation Drawing for appropriate bowl mounting pattern to use for this model

**STEP 4:** Remove 1-1/2" IPS outlet elbow from trap (not supplied). Install elbow inside frame onto waste stub-outs. Reassemble trap "U" bend with inlets centered behind fountains.

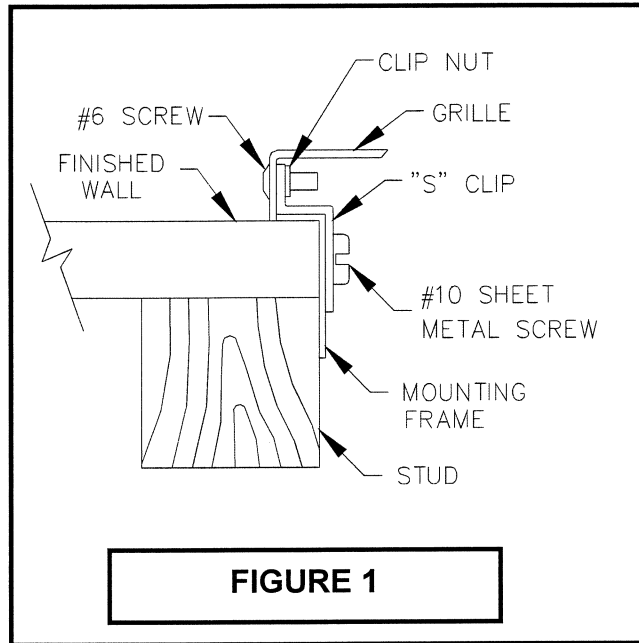
**STEP 5:** Remove slip joint nuts from bottom of fountain waste outlet. Assemble nut over 1-1/4" O. D. end of waste elbow as supplied by Haws. Assemble waste elbow onto bowl waste body using seal washer provided and tighten nut hand tight. Measure vertical distance down to trap inlet and cut the vertical (not supplied) elbow to length allowing 1/2" minimum for engagement into trap. Mark and similarly cut to length the horizontal waste elbow. Install elbow and tighten all the slip joint nuts.

## INSTALLATION PROCEDURE...

- STEP 6:** See Figure 2 for detail section view of side screw grille attachment. Unpack grille and insert upper lip behind bottom of back panel, align sides and hold up flush to bottom of back panel. Hold grille against wall and mark centers of grille side slots on wall. Masking tape may be used to prevent finished wall damage from mark. Install the “s” clips in mounting frame using #10 sheet metal screws into pre-drilled holes on lower end of each side of frame. Tighten #10 screw while holding “s” clips centered on wall marks. Check grille fit by installing grille and partially tightening #6-23 socket head screws through side of grille. Insure proper panel and grille alignment, then tighten four 5/16-18x1 hex head screws.
- STEP 7:** Unpack and remove chiller from carton. Remove front panel screws and panel. Do not remove insulating putty and foam from copper tubes or Styrofoam insulation from evaporator coil. Remove any inner packing, which may be around compressor. If applicable, remove junction box cover and electrical knock out on lower right side of housing. Install fittings (supplied) on chiller inlet and outlet tubes (See Installation Drawing).
- STEP 8:** Thoroughly flush supply line to remove all foreign matter. Connect 1/2” IPS supply screwdriver stop (not supplied) to stub-out in wall. Place chiller on chiller support tray against right hand side, fully to rear, with condenser (open panel) side facing to front. Install supply, 3/8” O.D. tubing (not supplied), between screwdriver stop (not supplied) and strainer at chiller inlet. (Cut tubing to proper length, and follow general notes for proper connection procedure for push-in style fittings). Tubing insulation is not normally required on inlet side of chiller. Install insulated tube (supplied) between fountain and chiller outlet. Cut tubes as required and connect to chiller outlet compression fitting. Open screwdriver stop wide open while checking for leaks at all connections. Also check waste for leaks.
- STEP 9:** Adjust bubbler stream height using a small flat-head screwdriver inserted through a hole in the center of the push button. For increased flow turn clockwise and for decreased flow turn counterclockwise. If flow problems arise, see troubleshooting guide for additional instructions to correct problems. Bubbler stream may lower during short break-in period. Set initial stream height a little high to minimize or eliminate the need for break-in period readjustment.
- STEP 10:** Verify that electrical power is off and power supply voltage, phase and cycle match specifications printed on chiller label. In accordance with local codes, wire directly to incoming lines at internal chiller junction box. Verify that all inner packing is removed and hand rotate fan blade to verify free rotation. Reattach chiller front panel. Turn power on and verify that chiller cycles off after water reaches proper temperature. Finally check for leaks.

## INSTALLATION PROCEDURE...

**STEP 11:** Install grille and tighten outer side screws. Verify there is chilled water out of bubbler.



## MAINTENANCE

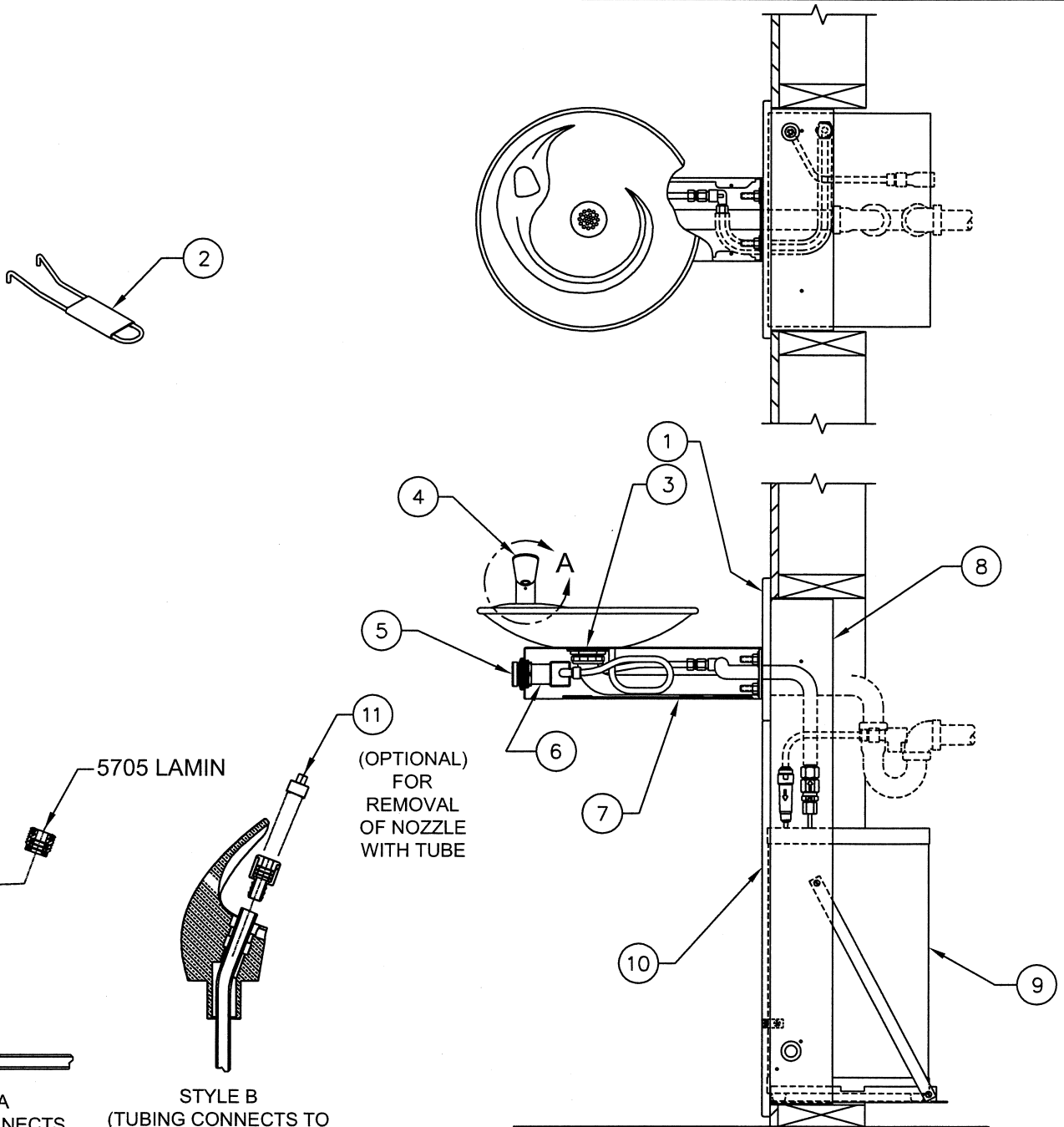
- STEP 1:** Periodically clean the strainer located in the valve body. Refer to 5874SS Valve Manual for more information.
- STEP 2:** The condenser fins on chiller should be periodically cleaned with brush, air hose or vacuum cleaner. Care should be taken not to bend or deform the condenser fins.
- STEP 3:** The chiller temperature control is factory set for 50° F water under normal conditions. For colder water, adjust control clockwise. For warmer water, turn counterclockwise. Remove front chiller panel for access to temperature control. After adjustment allow unit to cycle off before checking outlet water temperature.

<b>TROUBLESHOOTING</b>	
<b>PROBLEM</b>	<b>REPAIR CHECKLIST</b>
1. Insufficient bubbler flow.	1a. Check that inlet screwdriver stop valve is in wide-open position. b. Verify minimum 30 psi flowing supply pressure. c. Clean strainer. See 5874SS Valve Manual. d. Adjust valve to increase flow. Use front adjust screw or see 5874SS Valve Manual.
2. Water too warm or cold.	a. Adjust chiller temperature control, clockwise for colder water.

© 2010 Haws® Corporation – All Rights Reserved  
 HAWS® and other trademarks used in these materials are the exclusive property of Haws Corporation.

# PARTS BREAKDOWN


ITEM	MODEL		DESCRIPTION
	H1001.8	H1001.8HPS	
1	BP6	BP6HPS	BACK PANEL
2	0006983506	0006983506	SPANNER WRENCH
3	6463	6463PCP	STRAINER ASSY
4	5705	5705	HEAD W/LAMINAR INSERT (STYLE A OR STYLE B)
5	PBA6	PBA6	PUSH BUTTON ASSY
6	5874SS	5874SS	VALVE
7	PBM1000	PBM1000	ACCESS PLATE
8	MTGFR.SM	MTGFR.SM	MOUNTING FRAME
9	HCR8	HCR8	CHILLER
10	0002626701	0002626719	GRILLE
11	0002082253	0002082253	DRIVER, NOZZLE .25 HEX



STYLE A  
(TUBING CONNECTS TO ELBOW)

STYLE B  
(TUBING CONNECTS TO INSERT ASSY)

**FOUNTAIN COULD HAVE EITHER STYLE**



**Haws**

1455 KLEPPE LANE  
SPARKS, NEVADA 89431  
(775) 359-4712 FAX (775) 359-7424  
E-MAIL: HAWS@HAWS.CO.COM  
WEBSITE: WWW.HAWS.CO.COM

ECN NO. REVISED PER BY:	ECN: 4603 HM	MODEL(S)	PART NUMBER:
DRAWN: RTM	DATE: 10/22/05	H1001.8/H1001.8HPS	0002080246
APPROVED:	DATE:	DRINKING FOUNTAIN	DRAWING NO. REV
		SCALE: 1/5	13365C00 16
		DRAWING TYPE: PARTS BREAKDOWN	SIZE: A SHEET 1 OF 1

**WHEN ORDERING PARTS PLEASE SPECIFY YOUR MODEL NUMBER**

