



INSTALLATION, OPERATION & MAINTENANCE INSTRUCTIONS

1455 Kleppe Lane ♦ Sparks, NV 89431-6467 ♦ (775) 359-4712 ♦ Fax (775) 359-7424
E-mail: haws@hawsco.com ♦ website: www.hawsco.com

No. 2080202(23)

Model 9001, 9001.5 Alarm

NOTE TO INSTALLER: Please leave this information with the Maintenance Department.

LIMITED WARRANTY

HAWS® warrants that all of its products are guaranteed against defective material or poor workmanship for a period of **one year from date of shipment**. HAWS liability under this warranty shall be discharged by furnishing without charge F.O.B. HAWS Factory any goods, or part thereof, which shall appear to the Company upon inspection to be of defective material or not of first class workmanship, provided that claim is made in writing to company within a reasonable period after receipt of the product. Where claims for defects are made, the defective part or parts shall be delivered to the Company, prepaid, for inspection. HAWS will not be liable for the cost of repairs, alterations or replacements, or for any expense connected therewith made by the owner or his agents, except upon written authority from HAWS, Sparks, Nevada. HAWS will not be liable for any damages caused by defective materials or poor workmanship, except for replacements, as provided above. Buyer agrees that Haws has made no other warranties either expressed or implied in addition to those above stated, except that of title with respect to any of the products or equipment sold hereunder and that HAWS shall not be liable for general, special, or consequential damages claimed to arise under the contract of sale.

The emergency equipment manufactured by HAWS is warranted to function if installation and maintenance instructions provided are adhered to. The units also must be used for the purpose, which they were intended. This product is intended to supplement first-aid treatment. Due to widely varying conditions HAWS cannot guarantee that the use of this emergency equipment will prevent serious injury or the aggravation of existing or prior injuries.

NO OTHER WARRANTIES EXPRESSED OR IMPLIED ARE AUTHORIZED, PROVIDED OR GIVEN BY HAWS.

SHOULD YOU EXPERIENCE DIFFICULTY WITH THE INSTALLATION OF THIS MODEL, PLEASE CALL:

1-800-766-5612

FOR PARTS CALL:

1-800-758-9378

**(U.S.A. AND CANADA ONLY) MONDAY-THURSDAY: 6:00 A.M. – 4:00 P.M. PST
FRIDAY: 6:00 A.M – 1:00 P.M. PST**

RECOMMENDED TOOLS: Pipe joint sealant, screwdriver, pipe wrench, 14 AWG wire, 1/2"conduit and basic electricians' tools for power connection.

LOCATION OF UNIT: The Model 9001 Alarm Series may be mounted directly to the upper standpipe of a safety shower or wall mounted next to a shower or eyewash. The alarm should be clearly visible from several directions.

ELECTRICAL SUPPLY:

Model 9001 & 9001.5 120 VAC 50/60 HZ.

35 watts average power consumption. Power should be supplied by a dedicated circuit through a 10 AMP maximum breaker or fuse and should not supply power to any other devices. **NOT FOR USE IN CLASSIFIED AREAS.**

WATER SUPPLY:

Model 9001 2.4 gpm minimum required to activate flow switch.

Model 9001.5 1.5 gpm minimum required to activate flow switch.

Mount flow switch in supply line with flow in horizontal direction and switch stem extending vertically from tee. Mount switch with at least 6" of straight pipe on both sides to minimize turbulence in switch.

TROUBLESHOOTING

PROBLEM	REPAIR CHECKLIST
1. Alarm horn and light do not operate.	1. a. Check incoming circuit for power and power from flow switch. b. Check fuse inside horn enclosure. c. Check that the direction of water flow corresponds to the arrow on the flow switch body. d. Check that the switch located on the junction box is in the "on" position. e. Check for continuity through the switch. f. Check all electrical connections. g. Check that water flow is sufficient. h. Faulty flow switch. Replace entire switch assembly.
2. Horn sounds but light does not flash.	2. a. Check wiring connections. b. Replace flashing light.
3. Light flashes but horn does not sound.	3. a. Check wiring connections. b. Make sure the alarm silencing switch is in the "on" position. c. Check fuse inside horn enclosure. d. Replace horn.
4. Alarm stays on.	4. a. Check wiring connections. b. Disconnect flow switch wires and test for continuity.

INSTALLATION PROCEDURE

- Step 1:** Choose a location for mounting the flow switch in the water supply line. The inlet and outlet ports of the flow switch must be a minimum of 6 inches from any tees or elbows in the water supply line. See attached installation drawing.
- Step 2:** Mount the flow switch assembly in the water supply line. The switch body must be in the vertical position with the water pipe horizontal. The water flow must be in the direction marked by the arrow on the flow switch body. Use Teflon tape or pipe sealing compound on all water pipe connections.
- Step 3:** Choose a location for mounting the alarm assembly. The alarm housing should be positioned along a vertical axis at least 7 feet above ground for best visibility. The alarm may be mounted directly to a water pipe using the supplied bracket, U-bolt, washers and nuts. The alarm can also be bolted to a flat surface such as a wall using appropriate fasteners (not supplied).
- Step 4:** Using the wire crimp terminals (supplied), connect the alarm to the power supply per attached installation drawing. The purple wire is connected to the second normally closed contact and the pink wire to the second common contact of the flow switch and may be used for remote alarm activation. The signal from the purple wire will be zero voltage when water is flowing and supply voltage when no water is flowing. If a remote alarm is not used, the purple wire must be insulated at its free end. Leaving the two crimp terminals (supplied) connected will be sufficient insulation.

NOTICE: ALL POWER CONNECTIONS MUST BE MADE ACCORDING TO NEC CODE USING TYPE 4 COMPLIANT EQUIPMENT.

OPERATION AND TEST INSTRUCTIONS

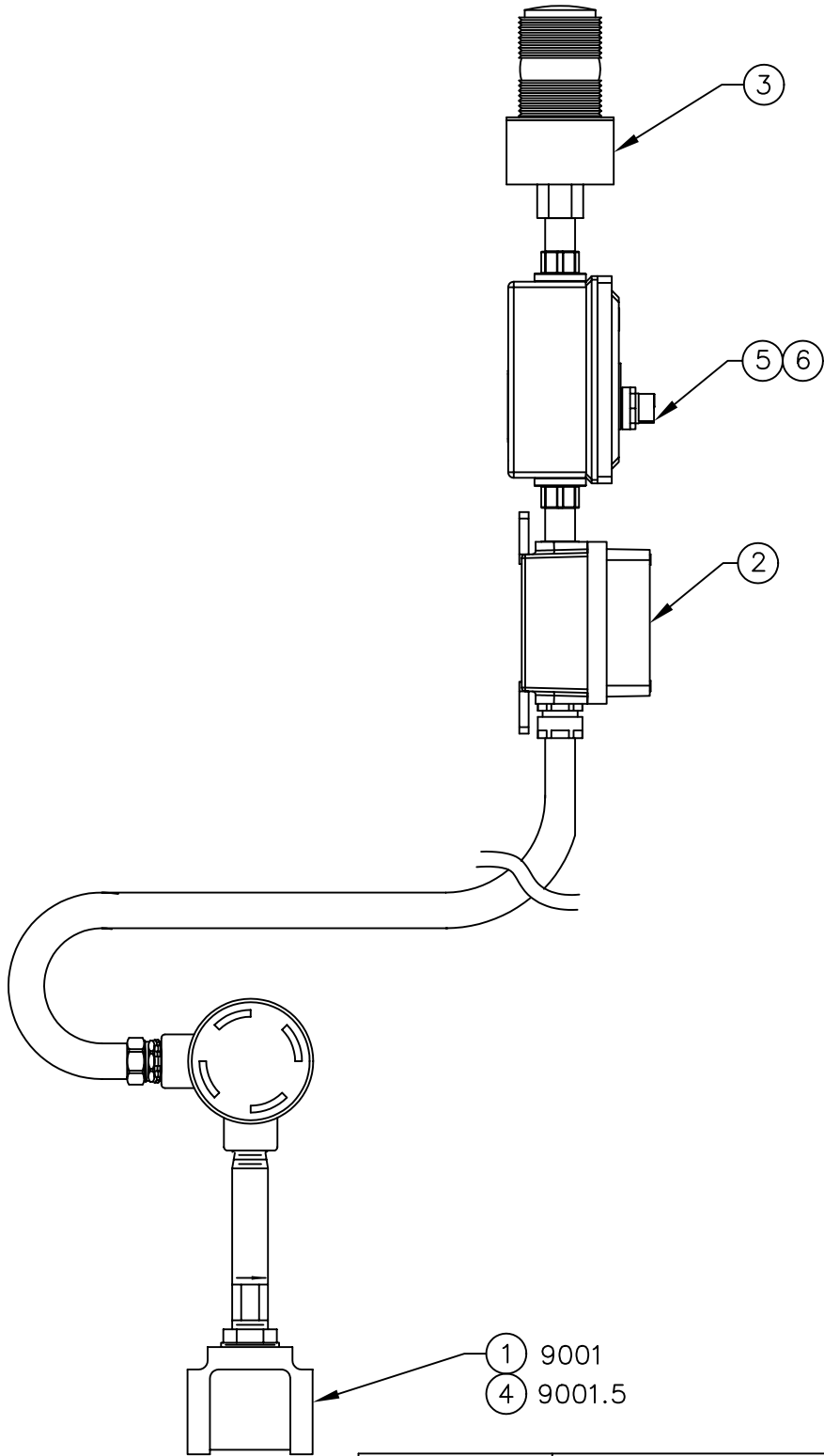
Test weekly. Instruct all employees in the use of emergency showers and eyewashes.

- Step 1:** Apply power to the alarm branch circuit. The alarm should remain OFF.
- Step 2:** Open the shower or eyewash flow valve. The alarm should sound and the light should flash shortly after water flows.
- Step 3:** Shut off the flow valve. The alarm should turn OFF.

For more information on Haws products, see our website: www.hawSCO.com

ITEM	DESCRIPTION
1	SP154DPDT FLOW SWITCH
2	120V HORN 0000091335
3	120V LIGHT 0003225300
4	FLOW SWITCH 0005726850
5	SELECTOR SWITCH 0005726705
6	SEALING WASHER 0006602722

PARTS BREAKDOWN



1 9001
4 9001.5

WHEN ORDERING PARTS PLEASE SPECIFY YOUR MODEL NUMBER

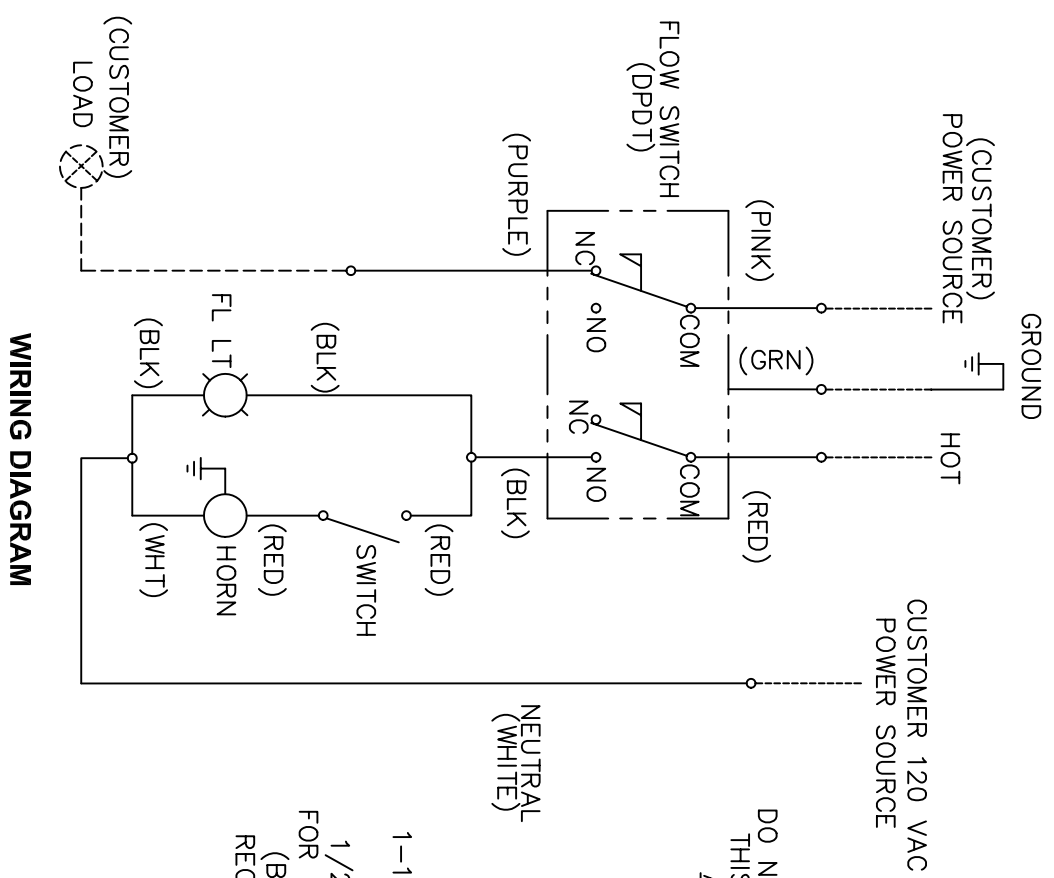


1455 KLEPPE LANE
SPARKS, NEVADA 89431
(775) 359-4712 FAX (775) 359-7424
E-MAIL: HAWS@HAWS.CO.COM
WEBSITE: WWW.HAWS.CO.COM

REV	DESCRIPTION	ECN	DATE	BY/APVD
23	UPDATED PER	4309	09/14/09	HM

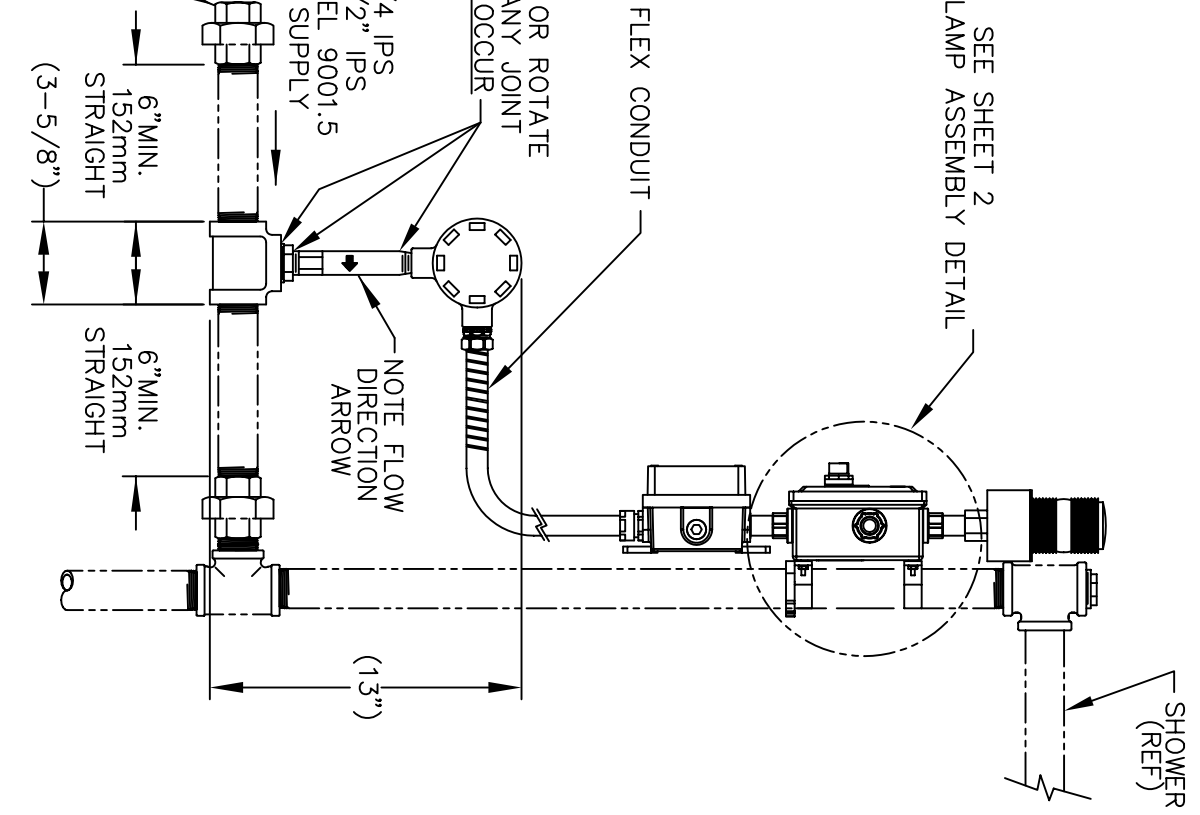
DRAWN BY: CLF	DATE: 03/17/93	CHECK BY:	APPVD BY:	SCALE: 1/2.5
TITLE: 9001/ 9001.5 ALARM			PART NUMBER: 0002080202	
DRAWING TYPE: PARTS BREAKDOWN			DRAWING NUMBER: 11516C00	REV: 23

- NOTES:**
1. THE SIGNAL FROM THE RED WIRE WILL BE SUPPLY VOLTAGE WHEN NO WATER IS FLOWING AND ZERO VOLTAGE WHEN THE FLOW SWITCH AND LOCAL ALARM ARE ACTIVATED. IF A REMOTE ALARM IS NOT USED, THE RED WIRE MUST BE INSULATED AT ITS FREE END, LEAVING THE TWO CRIMP TERMINALS (SUPPLIED) CONNECTED WILL DO THIS.
 2. INSTALLER MUST USE A THREAD SEALANT, SUCH AS APPLETON TLC3, RECOMMENDED FOR USE ON ELECTRICAL COMPONENTS ON ALL ELECTRICAL NPT CONNECTIONS.



WIRING DIAGRAM

CAUTION:
DO NOT DISASSEMBLE OR ROTATE THIS ASSEMBLY AT ANY JOINT AS DAMAGE WILL OCCUR



FLOW SWITCH MUST BE MOUNTED IN HORIZONTAL POSITION



EQN NO.:	7885828	REV:		MODEL(S):	9001/ 9001.5 ALARM
DATE:	ECON: 4/2008	ENCL:		INFO FAX DOC #:	29001/ 290015
APPROVER:	01/09/01	DATE:		ISSUE:	
				INSTALLATION/EXCHANGE:	
				SIZE:	A
				SHEET:	1 OF 2

1455 KLEPPE LANE
SPARKS, NEVADA 89431
(775) 359-4712 FAX (775) 359-7424
E-MAIL: HAWS@HAWS.CO.COM
WEBSITE: WWW.HAWS.CO.COM

