

**INSTALLATION, OPERATION
&
MAINTENANCE INSTRUCTIONS**

1455 Kleppe Lane Sparks, NV 89431-6467 ☎(775) 359-4712 ☎Fax (775) 359-7424
E-mail: haws@hawsco.com ☎website: www.hawsco.com

No. 2080198(11)

**Model 8904
Hose Spray**

NOTE TO INSTALLER: Please leave this information with the Maintenance Department.

LIMITED WARRANTY

HAWS® warrants that all of its products are guaranteed against defective material or poor workmanship for a period of **one year from date of shipment**. HAWS liability under this warranty shall be discharged by furnishing without charge F.O.B. HAWS Factory any goods, or part thereof, which shall appear to the Company upon inspection to be of defective material or not of first class workmanship, provided that claim is made in writing to company within a reasonable period after receipt of the product. Where claims for defects are made, the defective part or parts shall be delivered to the Company, prepaid, for inspection. HAWS will not be liable for the cost of repairs, alterations or replacements, or for any expense connected therewith made by the owner or his agents, except upon written authority from HAWS, Sparks, Nevada. HAWS will not be liable for any damages caused by defective materials or poor workmanship, except for replacements, as provided above. Buyer agrees that Haws has made no other warranties either expressed or implied in addition to those above stated, except that of title with respect to any of the products or equipment sold hereunder and that HAWS shall not be liable for general, special, or consequential damages claimed to arise under the contract of sale.

The emergency equipment manufactured by HAWS is warranted to function if installation and maintenance instructions provided are adhered to. The units also must be used for the purpose, which they were intended. This product is intended to supplement first-aid treatment. Due to widely varying conditions HAWS cannot guarantee that the use of this emergency equipment will prevent serious injury or the aggravation of existing or prior injuries.

NO OTHER WARRANTIES EXPRESSED OR IMPLIED ARE AUTHORIZED, PROVIDED OR GIVEN BY HAWS.

SHOULD YOU EXPERIENCE DIFFICULTY WITH THE INSTALLATION OF THIS MODEL, PLEASE CALL:

1-800-766-5612

FOR PARTS CALL:

1-800-758-9378

(U.S.A. AND CANADA ONLY) MONDAY-THURSDAY: 6:00 A.M. – 4:00 P.M. PST
FRIDAY: 6:00 A.M – 1:00 P.M. PST

LOCATION OF UNIT: The Model 8904 Hose Spray should be installed in close proximity to potential accident areas. It should be clearly identified free from obstructions and easy to access. In order to comply with state codes, the use of a vacuum breaker is required with all hand held eye/face wash and body spray units (Haws offers Model SP212).

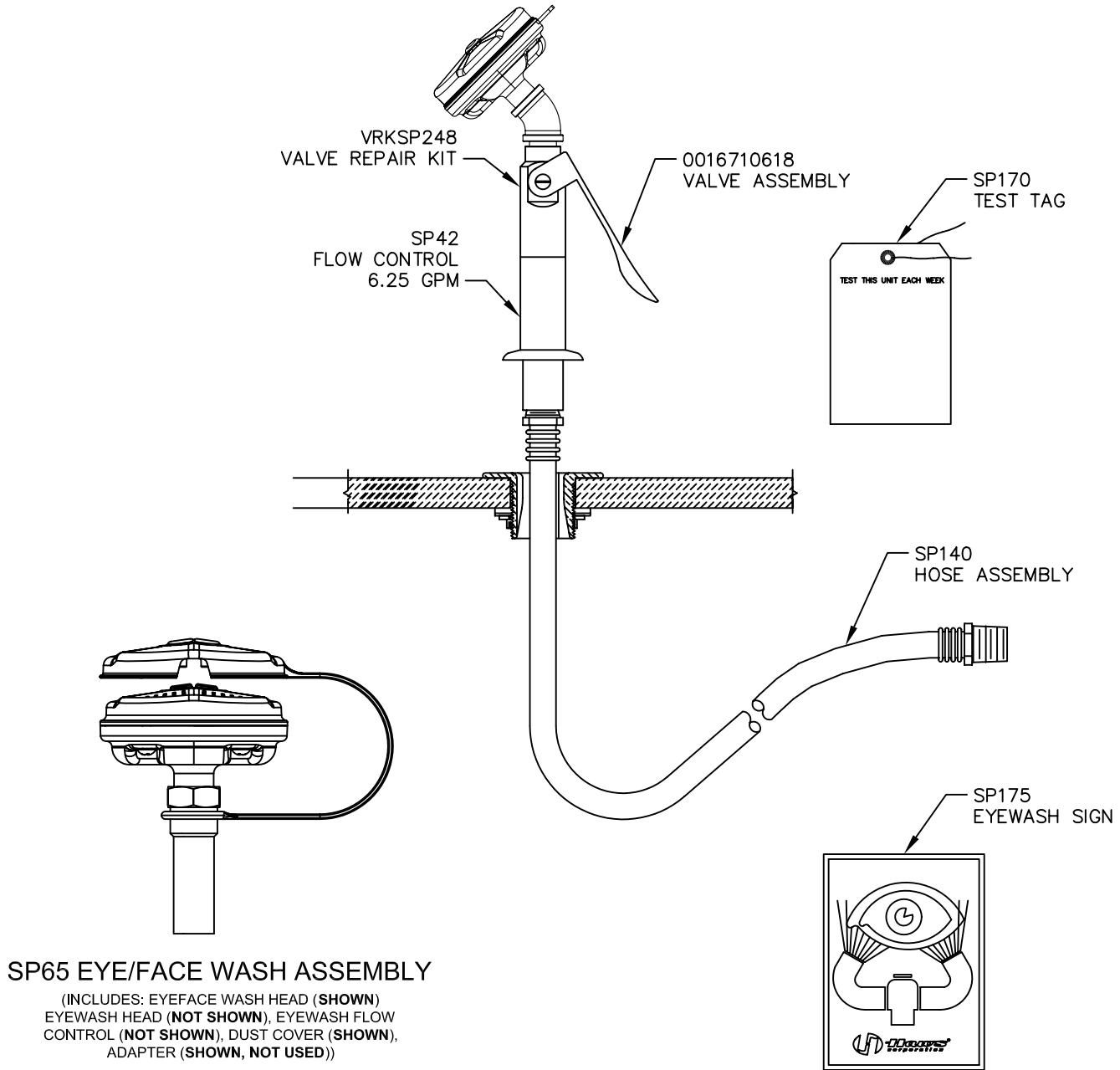
SUPPLY LINE: The minimum recommended line size is 1/2" IPS with 30-90 psi (2-6 ATM) flowing pressure. Where sediment or mineral content is a problem, an inlet filter is recommended.

PLUMBING CONNECTIONS: Inlet supply is female 1/2" NPT.

| TROUBLESHOOTING | |
|-----------------------------|--|
| PROBLEM | REPAIR CHECKLIST |
| 1. No flow. | 1. a. Check the main shut-off valve. |
| 2. Insufficient water flow. | 2. a. Verify minimum 30 psi (2 ATM) flowing supply line pressure. b. Probable clogging of flow control due to inadequate line flushing. Unscrew eye/face wash head and remove the four screws to disassemble the head. Clean flow control and reassemble head. See SP65 Installation Drawing for details. |

For more information about Haws products, see our website: www.hawsco.com

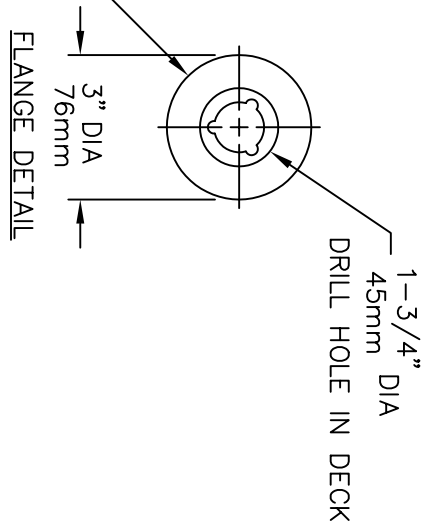
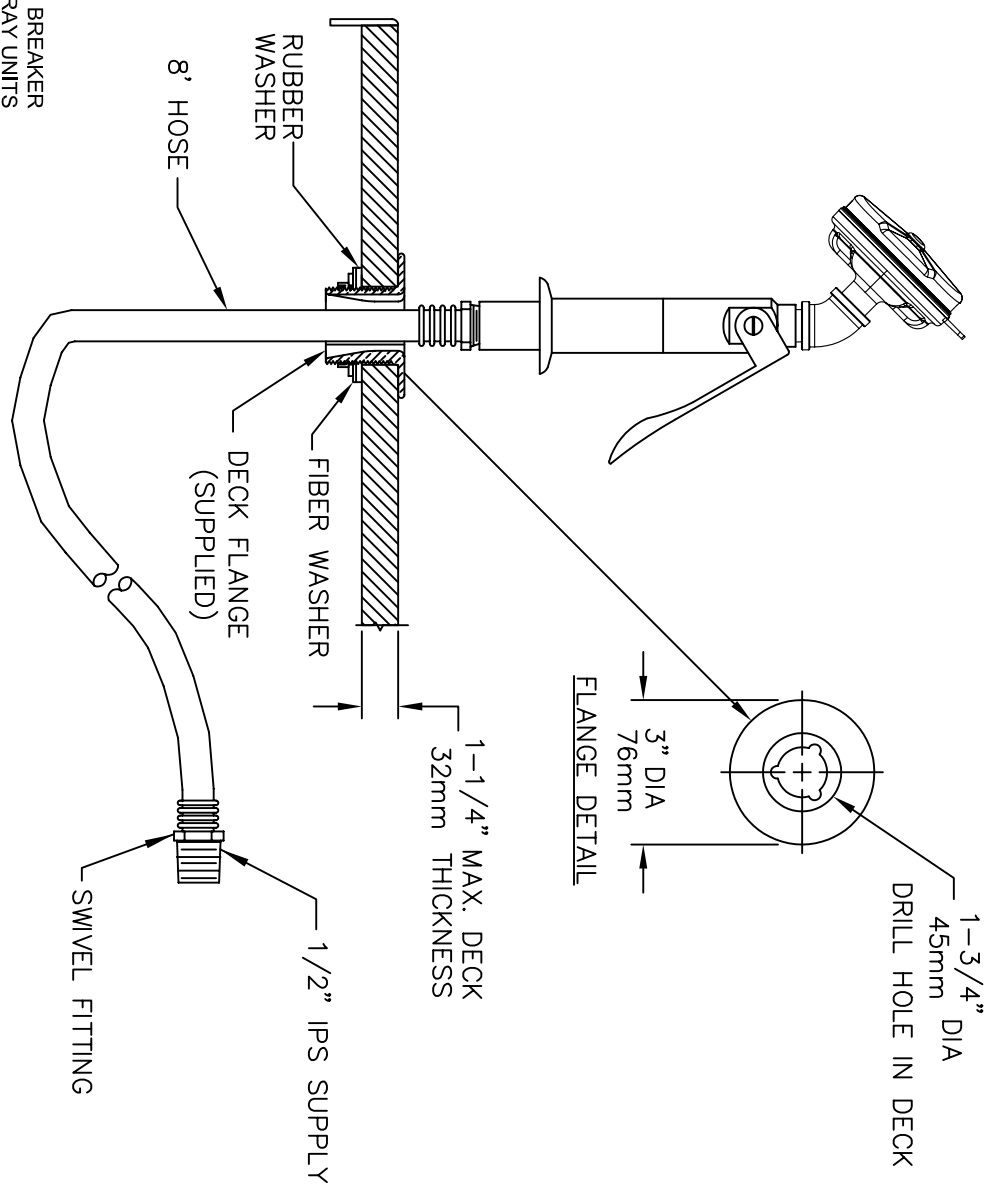
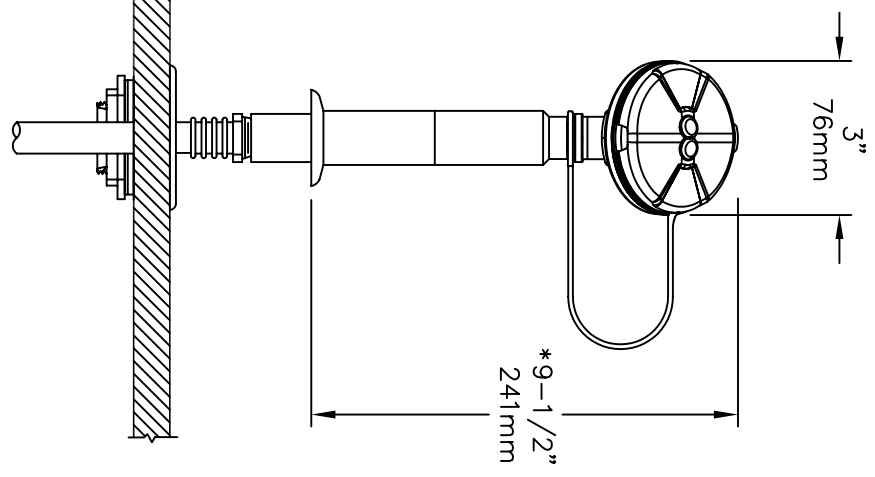
PARTS BREAKDOWN



| REV | DESCRIPTION | ECN | DATE | BY/APVD |
|-----------|-----------------|------|---------|---------|
| 11 | UPDATED PER ECN | 4367 | 12/3/09 | IR |
| REVISIONS | | | | |

WHEN ORDERING PARTS PLEASE SPECIFY YOUR MODEL NUMBER

| | | | | |
|---|--|---|------------|------------|
| | | 1455 KLEPPE LANE SPARKS, NEVADA 89431 (775) 359-4712 FAX (775) 359-7424 E-MAIL: HAWS@HAWS.CO.COM WEBSITE: WWW.HAWS.CO.COM | | |
| | | DRAWN BY: CH DATE: 08/28/93 CHECK BY: APPVD BY: | SCALE: 1/2 | |
| TITLE: 8904 EYE/FACE WASH BODY SPRAY | | PART NUMBER: 0002080198 | | |
| DRAWING TYPE: PARTS BREAKDOWN | | DRAWING NUMBER: 11602C00 | | REV: 11 |



NOTES:

- *1. DIMENSIONS MAY VARY ±1/2" (12.7mm).
- 2. IN ORDER TO COMPLY WITH STATE CODES, THE USE OF A VACUUM BREAKER IS REQUIRED WITH ALL HAND HELD EYE/FACE WASH AND BODY SPRAY UNITS (HAWS OFFERS MODEL SP212).
- 3. TO COMPLY WITH ANSI Z358.1-2009 FOR EMERGENCY EYEWASH OR EYE/FACE WASH AND SHOWER EQUIPMENT:
 - UNIT SHALL BE INSTALLED IN ACCORDANCE WITH MANUFACTURER'S INSTRUCTIONS AND ACCEPTABLE PLUMBING PRACTICES.
 - EYEWASH OR EYE/FACE WASH SHALL BE POSITIONED WITH NOZZLES NOT LESS THAN 83.8 CM (33 IN.) AND NO GREATER THAN 114.3 CM (45 IN.) FROM SURFACE ON WHICH USER STANDS AND 15.3 CM (6 IN.) MINIMUM FROM WALL OR NEAREST OBSTRUCTION.



1455 KLEPPE LANE
 SPARKS, NEVADA 89431
 (775) 359-4712 FAX (775) 359-7424
 E-MAIL: HAWS@HAWS.CO.COM
 WEBSITE: WWW.HAWS.CO.COM

| | | | | |
|-----------|----------|--------|-----------------|-------------------------------|
| EQ# NO.: | 78859789 | REV: | MODEL(S): | 8904 EYE/FACE WASH BODY SPRAY |
| DATE: | 08/28/93 | DATE: | INFO FAX DOC #: | 28904 |
| APPROVER: | CH | DATE: | SCALE: | AS SHOWN |
| | | | GRABBER TYPE: | INSTALLATION/BACK |
| DATE: | 08/28/93 | DATE: | 08/28/93 | 08/28/93 |
| SIZE: | A | SHEET: | 1 | OF 1 |