

LOCATION OF UNIT: The Model 8901RFK Hose Spray can be installed at any 1/2" NPT port, pressure side. (See installation drawing). Fittings supplied make kit adaptable to eye/face wash, shower, and combination models. In order to comply with state codes, the use of a vacuum breaker is required with all eye/face wash and body spray units (Haws offers Model SP212).

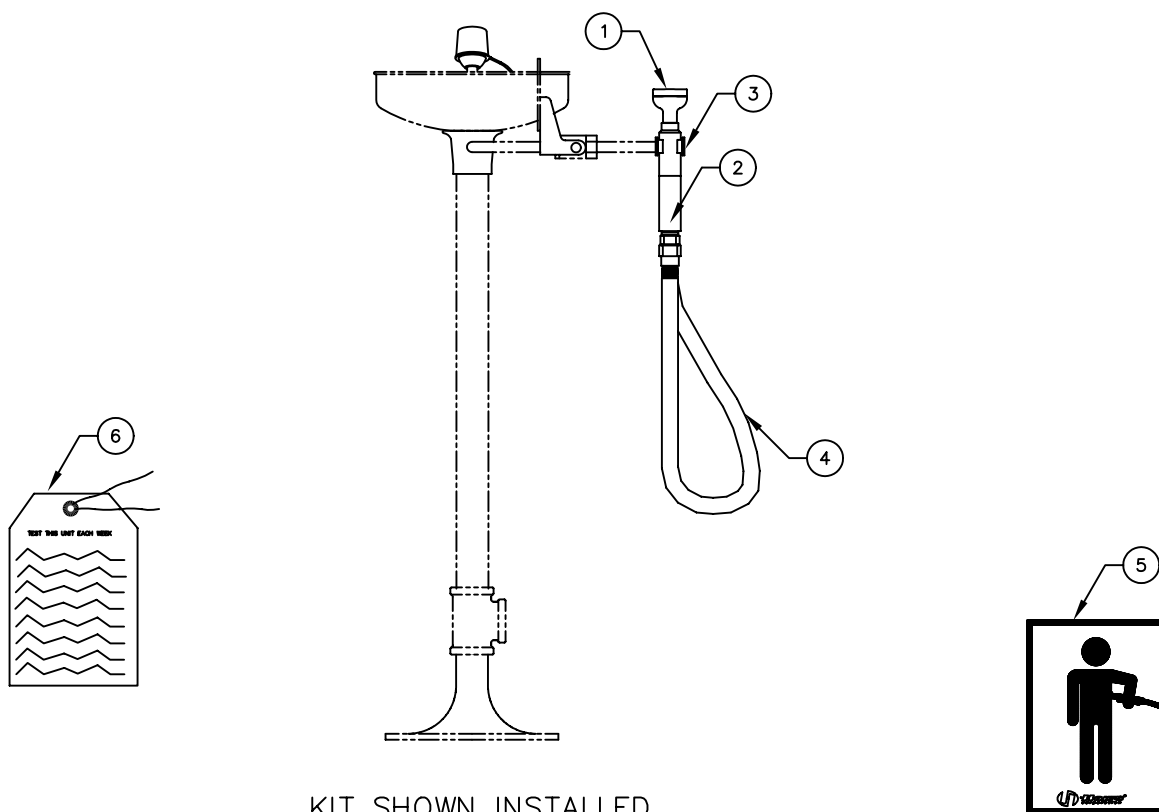
SUPPLY LINE: The minimum recommended line size is 1/2" IPS with 30-90 psi (2-6 ATM) pressure. Where sediment or mineral content is a problem, an inlet filter is recommended.

TROUBLESHOOTING	
PROBLEM	REPAIR CHECKLIST
1. No flow.	1. a. Check the main shut-off valve.
2. Insufficient water flow.	2. a. Verify minimum 30 psi (2 ATM) flowing supply line pressure. b. Probable clogging of flow control due to inadequate line flushing. Disassemble eyewash at inlet connection to gain access and clean rubber flow control. c. Unscrew eye/face wash head cap off to gain access to the buffer and clean it.

For more information about Haws products, see our website: www.hawesco.com

ITEM	DESCRIPTION
1	EYE/FACE WASH HEAD 0002974804
2	FLOW CONTROL
3	SP248 VALVE ASSEMBLY
4	SP140 HOSE ASSEMBLY
5	SP176 HOSE SPRAY SIGN
6	SP170 TEST TAG
-	VRK SP248 VALVE REPAIR KIT

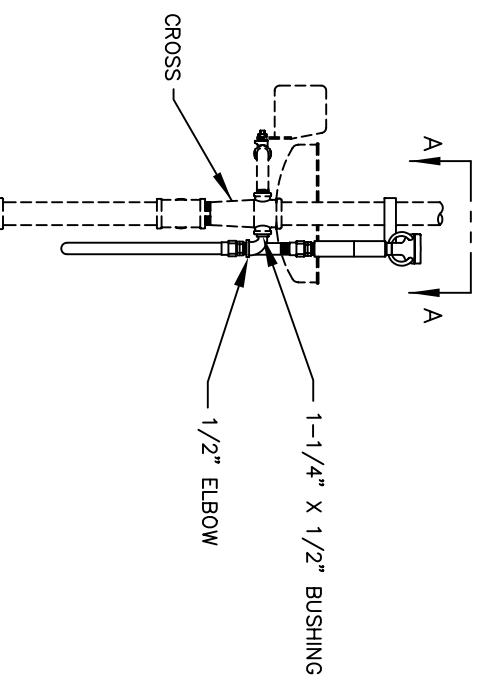
PARTS BREAKDOWN



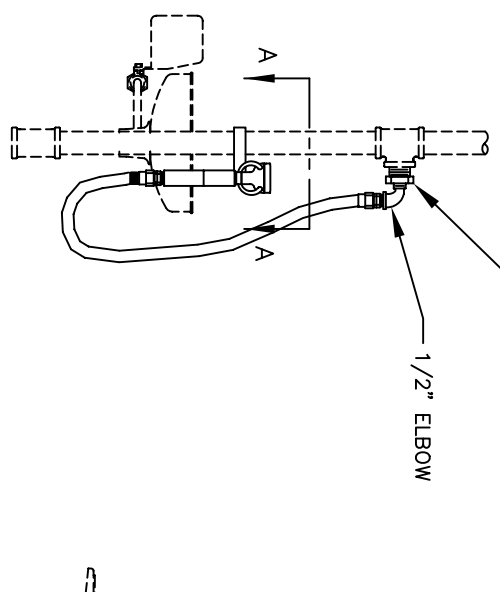
KIT SHOWN INSTALLED
WITH PEDESTAL EYEWASH UNIT

REV	DESCRIPTION	ECN	DATE	BY/APVD
6	UPDATED PER ECN	4367	12/2/09	IR
REVISIONS				

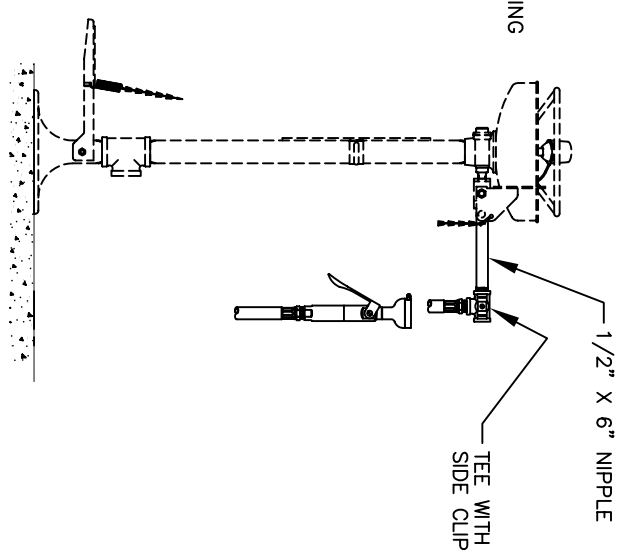
WHEN ORDERING PARTS PLEASE SPECIFY YOUR MODEL NUMBER			1455 KLEPPE LANE SPARKS, NEVADA 89431 (775) 359-4712 FAX (775) 359-7424 E-MAIL: HAWS@HAWS.CO.COM WEBSITE: WWW.HAWS.CO.COM	
	DRAWN BY: CLF	DATE: 03/17/93	CHECK BY:	APPVD BY:
TITLE: 8901RFK BODY SPRAY RETROFIT KIT			PART NUMBER: 0002080192	
DRAWING TYPE: PARTS BREAKDOWN			DRAWING NUMBER: 11511C00	REV: 6



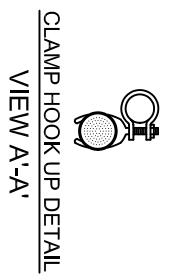
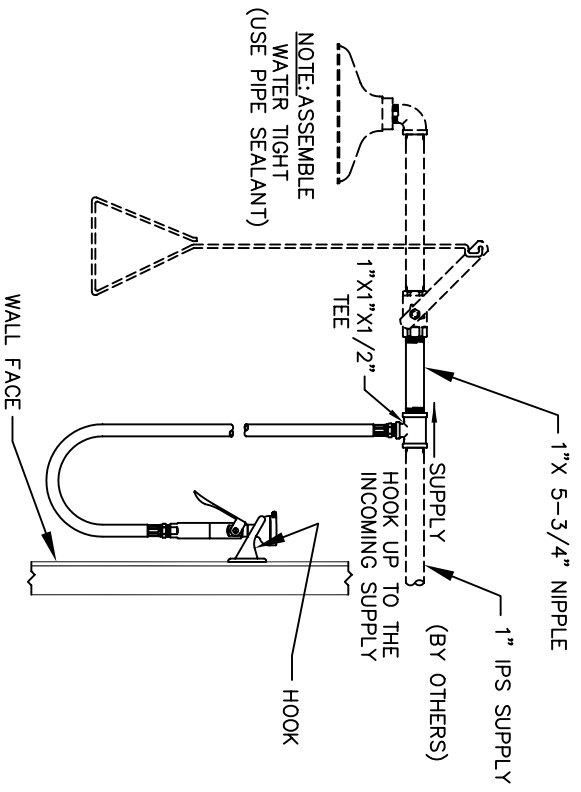
RETROFIT KIT EYE/FACE WASH INSTALLED WITH UNITS PROVIDED WITH A CROSS



RETROFIT KIT EYE/FACE WASH INSTALLED WITH UNITS NOT PROVIDED WITH A CROSS



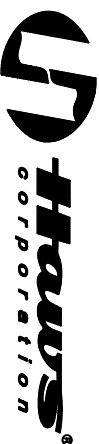
RETROFIT KIT EYE/FACE WASH INSTALLED WITH PEDESTAL EYEWASH UNIT



CLAMP HOOK UP DETAIL VIEW A-A'

NOTES:

1. IN ORDER TO COMPLY WITH STATE CODES, THE USE OF A VACUUM BREAKER IS REQUIRED WITH ALL HAND HELD EYE/FACE WASH AND BODY SPRAY UNITS (HAW'S OFFERS MODEL SP212).



1455 KLEPPE LANE
 SPARKS, NEVADA 89431
 (775) 359-4712 FAX (775) 359-7424
 E-MAIL: HAW'S@HAWSCCO.COM
 WEBSITE: WWW.HAWSCCO.COM

EQN NO.:	785859	REV:		MODEL(S):	8901RFK BODY SPRAY RETROFIT KIT	FIGURE NO.:	0002080192.D
DATE:	07/09/91	DATE:	07/09/91	INFO FAX DOC #:	28901735	DATE:	09/20/90
APPROVER:		APPROVER:		INSTALLATION/FABRICATION:		DATE:	09/20/90
CH:		CH:				SIZE:	A
						SHEET:	1 OF 1