



INSTALLATION, OPERATION & MAINTENANCE INSTRUCTIONS

1455 Kleppe Lane ♦ Sparks, NV 89431-6467 ♦ (775) 359-4712 ♦ Fax (775) 359-7424
E-mail: haws@hawsco.com ♦ website: www.hawsco.com

No. 2080170(18)

Model 8320/8320CRP/8325 Shower and Eye/Face Wash

NOTE TO INSTALLER: Please leave this information with the Maintenance Department.

LIMITED WARRANTY

HAWS® warrants that all of its products are guaranteed against defective material or poor workmanship for a period of **one year from date of shipment**. HAWS liability under this warranty shall be discharged by furnishing without charge F.O.B. HAWS Factory any goods, or part thereof, which shall appear to the Company upon inspection to be of defective material or not of first class workmanship, provided that claim is made in writing to company within a reasonable period after receipt of the product. Where claims for defects are made, the defective part or parts shall be delivered to the Company, prepaid, for inspection. HAWS will not be liable for the cost of repairs, alterations or replacements, or for any expense connected therewith made by the owner or his agents, except upon written authority from HAWS, Sparks, Nevada. HAWS will not be liable for any damages caused by defective materials or poor workmanship, except for replacements, as provided above. Buyer agrees that Haws has made no other warranties either expressed or implied in addition to those above stated, except that of title with respect to any of the products or equipment sold hereunder and that HAWS shall not be liable for general, special, or consequential damages claimed to arise under the contract of sale.

The emergency equipment manufactured by HAWS is warranted to function if installation and maintenance instructions provided are adhered to. The units also must be used for the purpose, which they were intended. This product is intended to supplement first-aid treatment. Due to widely varying conditions HAWS cannot guarantee that the use of this emergency equipment will prevent serious injury or the aggravation of existing or prior injuries.

NO OTHER WARRANTIES EXPRESSED OR IMPLIED ARE AUTHORIZED, PROVIDED OR GIVEN BY HAWS.

SHOULD YOU EXPERIENCE DIFFICULTY WITH THE INSTALLATION OF THIS MODEL, PLEASE CALL:

1-800-766-5612

FOR PARTS CALL:

1-800-758-9378

**(U.S.A. AND CANADA ONLY) MONDAY-THURSDAY: 6:00 A.M. – 4:00 P.M. PST
FRIDAY: 6:00 A.M – 1:00 P.M. PST**

LOCATION OF UNIT: The Model 8320/8320CRP/8325 Emergency Shower should be installed in close proximity to potential accident areas. It should be clearly identified, free from obstructions and easy to access.

SUPPLY LINE: The minimum recommended line size is 1-1/4" IPS with 30-90 psi (2-6 ATM) flowing pressure. Where sediment or mineral content is a problem, an inlet filter is recommended.

PLUMBING CONNECTIONS: Inlet supply is female 1-1/4" IPS. Waste outlet is female 1-1/4" IPS.

INSTALLATION PROCEDURE

Refer to Installation Drawing for clarification. Use pipe joint sealant PST #565 (Loctite) on all connections.

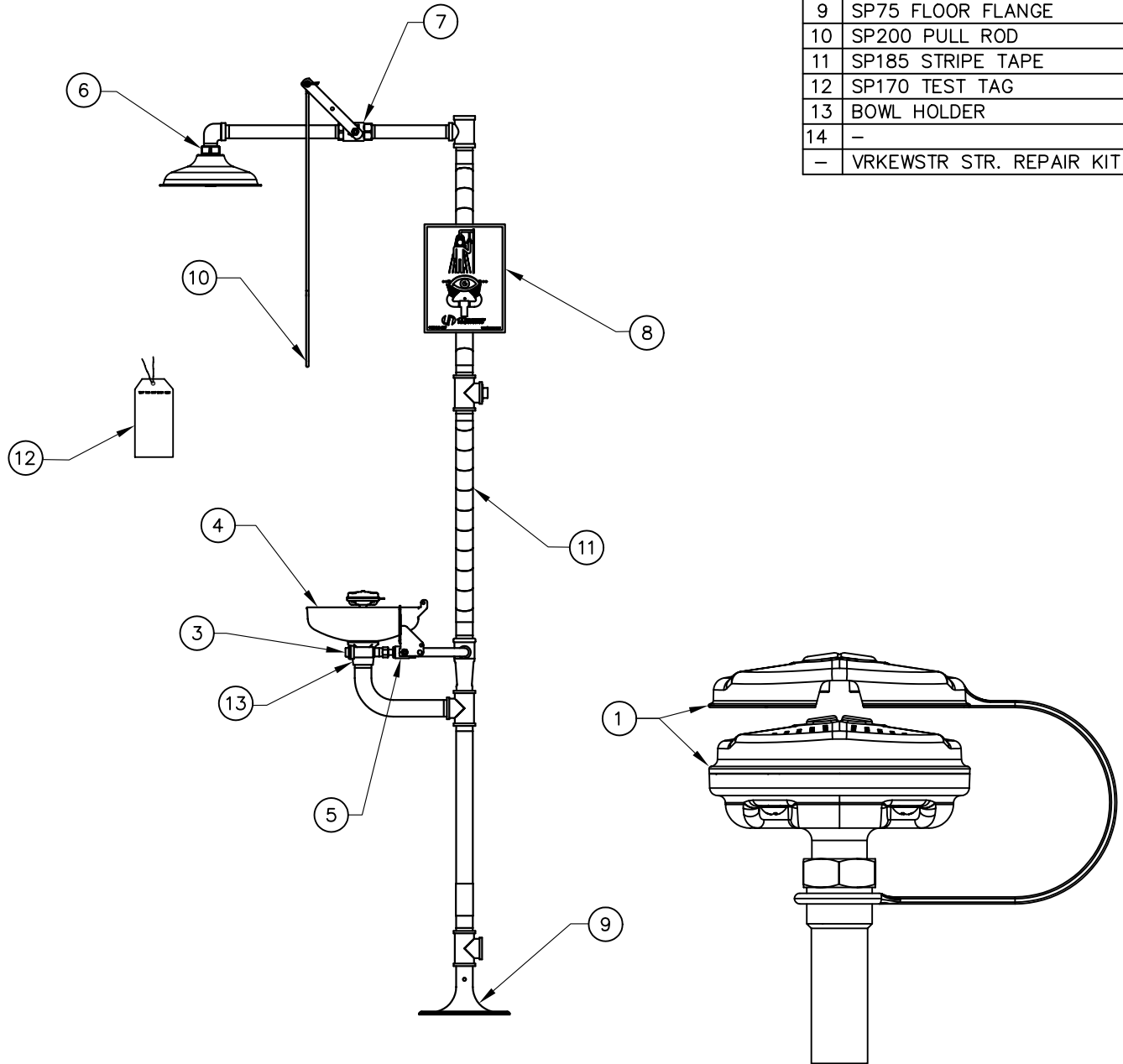
- STEP 1:** Prepare the emergency shower foundation by using the floor flange assembly as a template.
- STEP 2:** Once the foundation is ready, fasten the floor flange to the foundation. Use minimum 3/8" fasteners (not supplied).
- STEP 3:** Assemble lower tee (1-1/4") to the floor flange.
- STEP 4:** Attach nipple (1-1/4" x 21-1/2") and eyewash loop assembly to lower tee and tighten, grabbing the waste bend of loop assembly for leverage.
- STEP 5:** Attach nipple (1-1/4" x 24") and tee (1-1/4") to loop assembly and tighten.
- STEP 6:** Attach nipple (1-1/4" x 24") and tee (1-1/4" x 1-1/4" x 1") and tighten.
- STEP 7:** Attach valve assembly with nipple (1" x 9") to tee and tighten with a spud wrench.
- STEP 8:** Assemble the street elbow (1") onto nipple (1" x 12-1/2"). Attach nipple onto valve.
- STEP 9:** Attach showerhead onto street elbow (1").
- STEP 10:** Assemble the sign onto the unit. Use the strap, screws, washers and nuts provided to mount the sign onto the upright. The sign should be positioned for maximum visibility.
- STEP 11:** Insert the plug into the optional supply line tee that is not used. Before connecting the supply water line to the emergency shower, **FLUSH THE LINE THOROUGHLY.**

TROUBLESHOOTING	
PROBLEM	REPAIR CHECKLIST
1. No flow.	1. Check the main shut-off valve.
2. Insufficient water flow.	2. Verify minimum 30 psi (2 ATM) flowing supply line pressure.
3. Insufficient water flow on eyewash, however, shower is sufficient.	3. a. Verify minimum 30 psi (2 ATM) flowing supply line pressure. b. Probable clogging of flow control due to inadequate line flushing. Unscrew eye/face wash head and remove the four screws to disassemble the head. Clean flow control and reassemble head. See SP65 Installation Drawing for details. c. Remove cap located on L – Strainer using a 3/8" allen wrench to access and clean filter screen.
4. Eyewash or face wash streams do not meet desired eye level or are not balanced.	4. Possible blocked flow control see above solution. (Possible non-leveled eyewash assembly.)
5. Insufficient water flow at the showerhead, however, eyewash is sufficient.	5. Probable clogging of flow control inside shower head. Unscrew shower head off of elbow and clean rubber flow control.
6. Water does not drain properly.	6. Check your drain system for debris. Check the main waste line of your building to see if it does handle the capacity required for the entire drainage system.
7. Water leak between joints or fittings.	7. Tighten loose connections. If leak persists, the application of hot water will sometimes reseal improperly applied joint compound. After 30 minutes wait and retest. A persistent leak will necessitate reassembly and additional sealant.

For more information on Haws Products, please see our website: www.hawesco.com

PARTS BREAKDOWN

ITEM	DESCRIPTION
1	SP65 EYE/FACE WASH ASSY
2	-
3	SP509 L-STRAINER
4	SP93 BOWL
5	SP225 VALVE ASSEMBLY
6	SP829 SHOWER HEAD
7	SHOWER VALVE ASSEMBLY
8	SP178 SHOWER SIGN
9	SP75 FLOOR FLANGE
10	SP200 PULL ROD
11	SP185 STRIPE TAPE
12	SP170 TEST TAG
13	BOWL HOLDER
14	-
-	VRKEWSTR STR. REPAIR KIT



SP65 EYE/FACE WASH ASSEMBLY

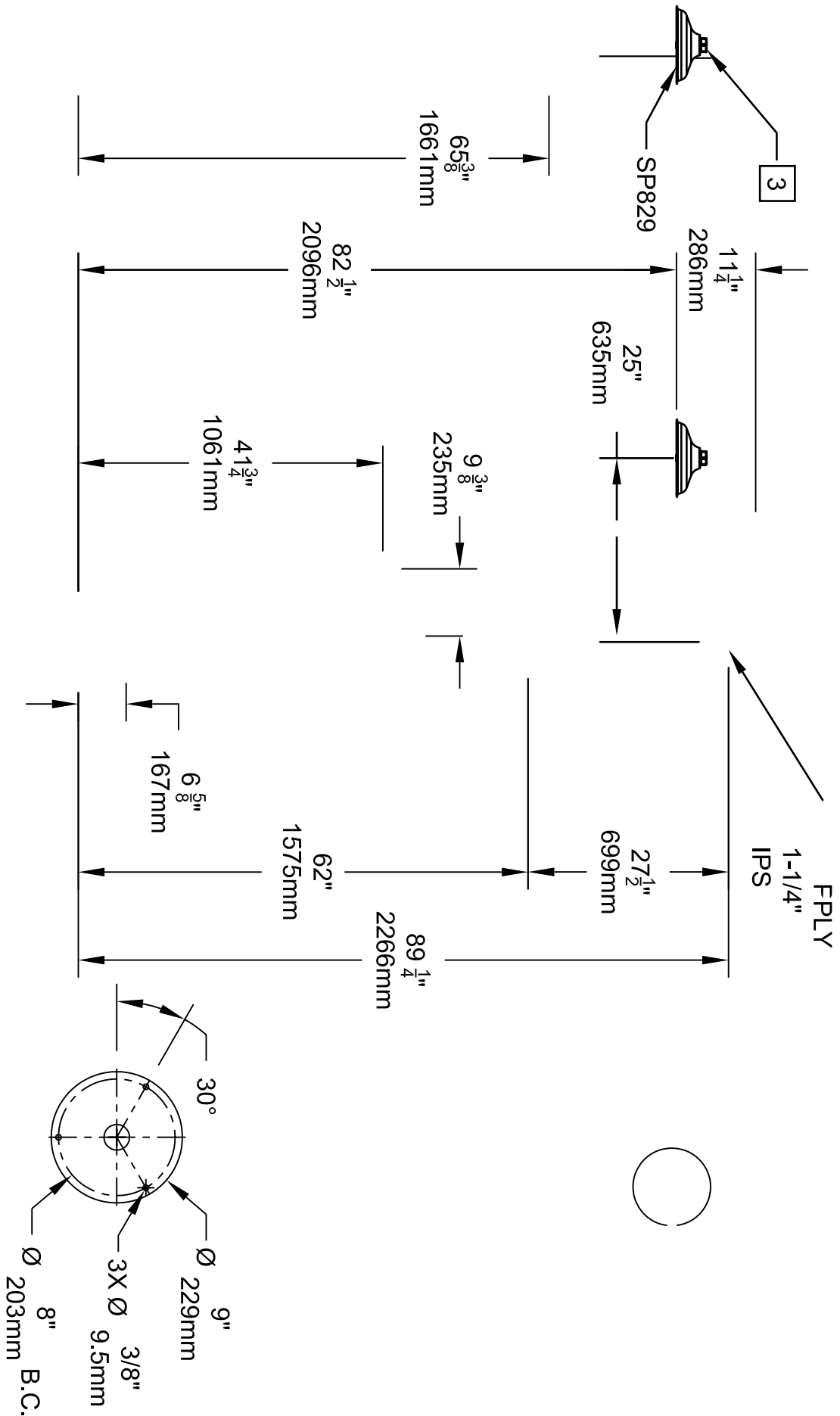
REV	DESCRIPTION	ECN	DATE	BY/APVD
18	UPDATED PER ECN	4367	12/3/09	IR

WHEN ORDERING PARTS PLEASE SPECIFY YOUR MODEL NUMBER



1455 KLEPPE LANE
SPARKS, NEVADA 89431
(775) 359-4712 FAX (775) 359-7424
E-MAIL: HAWS@HAWS.CO.COM
WEBSITE: WWW.HAWS.CO.COM

DRAWN BY: CLF	DATE: 03/12/93	CHECK BY:	APPVD BY:	SCALE: 1/2
TITLE: 8320/8320CRP/8325			PART NUMBER: 0002080170	
DRAWING TYPE: PARTS BREAKDOWN			DRAWING NUMBER: 11495C00	REV: 18



MOUNTING DETAIL
SCALE 10:1



Haws Corporation
1455 KLEPPE LANE
SPARKS, NEVADA 89431
(775) 359-4712 FAX (775) 359-7424
E-MAIL: HAWS@HAWSCC.COM
WEBSITE: WWW.HAWSCC.COM

ORD. NO.	8320/8320CRP/8325	MODEL(S)	
DATE	5/07/08	INFO FAX DOC #	28320/28325
APPROVED		INSTALLATION/EXHIBIT	
DATE		SIZE	A
REV	001	REVISED	1 OF 1
DATE	02/20/01	REVISED	18
DATE	04/60/A00	REVISED	