



INSTALLATION, OPERATION & MAINTENANCE INSTRUCTIONS

1455 Kleppe Lane ♦ Sparks, NV 89431-6467 ♦ (775) 359-4712 ♦ Fax (775) 359-7424
E-mail: haws@hawsco.com ♦ website: www.hawsco.com

No. 2080163 (13)

Model 8300FP Freeze Resistant Combination Shower Eye/Face Wash

NOTE TO INSTALLER: Please leave this information with the Maintenance Department.

LIMITED WARRANTY

HAWS warrants that this specific product is guaranteed against defective material or poor workmanship for a period of **one year from date of shipment**. HAWS liability under this warranty shall be discharged by furnishing without charge F.O.B. HAWS Factory any goods, or part thereof, which shall appear to the Company upon inspection to be of defective material or not of first class workmanship, provided that claim is made in writing to Haws within a reasonable period after receipt of the product. Where claims for defects are made, the defective part or parts shall be delivered to the Company, prepaid, for inspection. HAWS will not be liable for the cost of repairs, alterations or replacements, or for any expense connected therewith made by the owner or his agents, except upon written authority from HAWS, Sparks, Nevada. HAWS will not be liable for any damages caused by defective materials or poor workmanship, except for replacements, as provided above. Buyer agrees that Haws has made no other warranties either expressed or implied in addition to those above stated, except that of title with respect to any of the products or equipment sold hereunder and that HAWS shall not be liable for general, special, or consequential damages claimed to arise under the contract of sale.

The emergency equipment manufactured by HAWS is warranted to function if installation and maintenance instructions provided are adhered to. The units also must be used for the purpose for which they were intended. This product is intended to supplement first-aid treatment. Due to widely varying conditions, Haws cannot guarantee that the use of this emergency equipment will prevent serious injury or the aggravation of existing or prior injuries.

NO OTHER WARRANTIES EXPRESSED OR IMPLIED ARE AUTHORIZED, PROVIDED OR GIVEN BY HAWS.

SHOULD YOU EXPERIENCE DIFFICULTY WITH THE INSTALLATION OF THIS MODEL PLEASE CALL:

TECHNICAL SUPPORT: 1-800-766-5612

FOR CUSTOMER SERVICE: 1-888-640-4297

LOCATION OF UNIT: The Model 8300FP Freeze Resistant Shower/Eye/Face Wash should be installed in close proximity to potential accident areas. It should be clearly identified, free from obstructions and easy to access.

SUPPLY LINE: The minimum recommended line size is 1-1/4" IPS with 30-90 psi (2-6 ATM) flowing pressure. Where sediment or mineral content is a problem, an inlet filter is recommended.

PLUMBING CONNECTIONS: The main inlet supply connections are 1-1/4" male IPS for shower and 3/4" female IPS for eyewash. Waste outlet is 1-1/4" female IPS.

MAINTENANCE: In freezing conditions, wipe eye/face wash head and dust cover dry after each use to prevent unwanted ice buildup.

INSTALLATION PROCEDURE

Refer to Installation Drawing for clarification. Check parts list to insure all required parts are included. Use pipe joint sealant PST #565 (Loctite) on all connections.

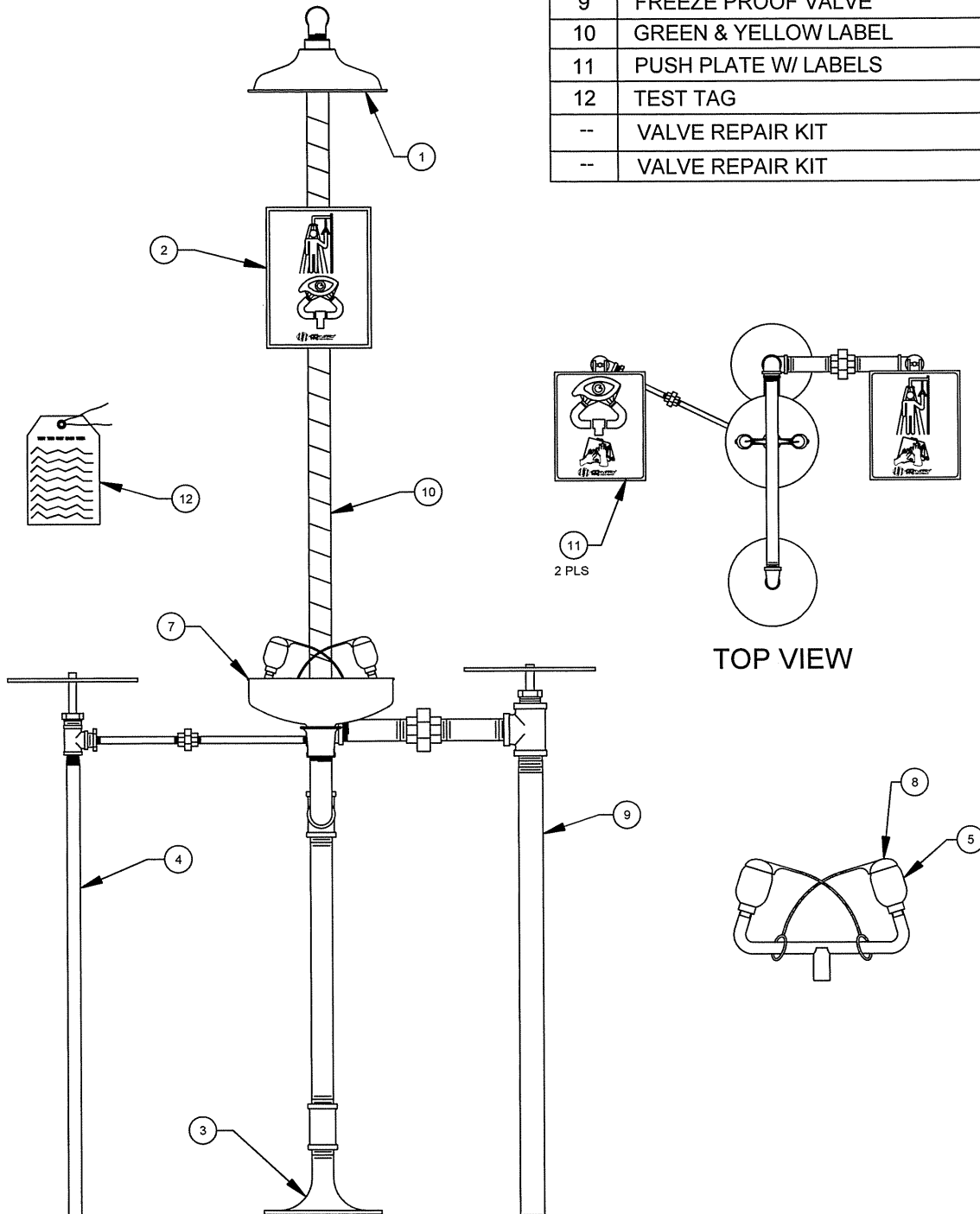
- STEP 1:** Install the 1-1/4" and 3/4" supply line below the frost line. Provide porous fill with a minimum size of 5 cubic feet for the supply line drain back.
- STEP 2:** Install the MK8A and MK81A freeze proof valves in their proper location (See Installation Drawing). For proper operation, valves must be installed in a vertical position. Valves must not be bowed or bent as this may result in binding and improper function. Turn the water on and test for proper operation before burying the valves.
- STEP 3:** Prepare the emergency shower foundation by using the floor flange as a template. Locate the three holes for the 3/8-16 UNC x 6" anchor bolts (not supplied). Anchor bolts should extend 1" above the floor level.
- STEP 4:** Once the concrete foundation is ready (dry), assemble the floor flange to the anchor bolts; and then securely fasten with 3/8-16 UNC Hex Nuts and 3/8" washers, (Not supplied). Seal and tighten tee (1-1/4") tee to floor flange making certain the 1-1/4" tee is facing the proper location.
- STEP 5:** Assemble (1-1/4" x 21-1/2") nipple to the (1-1/4") tee and tighten with a pipe wrench.
- STEP 6:** Assemble the eye/face wash assembly to the waste bend, then assemble the 1-1/4" tee and the 1-1/4" x 4" plugged nipple with the plugged side on top, then attach the other 1-1/4" tee to the 1-1/4" x 4" plugged nipple. Attach this assembly to nipple (1-1/4" x 21-1/2") nipple.
- STEP 7:** Assemble in the following order:
Attach nipple (1-1/4" x 52-1/2") onto the eye/face wash assembly.
Attach elbow (1-1/4" x 1") onto nipple.
Attach nipple (1x 24-5/8") onto elbow.
Attach street elbow (1") onto nipple.
Attach nipple (1-1/4" x 6") onto tee (1-1/4").
Attach union (1-1/4") onto nipple (1-1/4" x 6").
Attach nipple (1-1/4" x 6") onto the outlet of MK81A Valve, then connect both nipples (1/4" x 9") with the (1/4") union.
Attach nipple (1/4" x 9") onto the eye/face wash assembly.
Attach union (1/4") onto nipple (1/4" x 9).
Attach nipple (1/4" x 9") onto the outlet of MK8A Valve (use the reducer bushing), then connect both nipples (1/4" x 9") with the (1/4") union.
- STEP 8:** Assemble the sign onto the unit. Use the strap, screws, washers and nuts provided to mount the sign onto the upright. The sign should be positioned for maximum visibility.
- STEP 9:** Attach the showerhead. Water test and make the final check up.

TROUBLESHOOTING	
PROBLEM	REPAIR CHECKLIST
1. No flow.	1. Check the main shut-off valve.
2. Water leak between joints or fittings.	2. Tighten loose connections. If leak persists, the application of hot water will sometimes reseal improperly applied joint compound. After 30 minutes wait and retest, a persistent leak will necessitate reassembly and additional sealant.
3. Insufficient water flow, shower and eyewash.	3. Verify minimum 30 psi (2 ATM) flowing supply line pressure.
4. Water does not drain properly.	4. Check your drain system for debris. Check the main waste line of your building to see if it does handle the capacity required for the entire drainage system.
5. Insufficient water flow on eye/face wash, however, shower is sufficient.	5. Probable clogging of flow control due to inadequate line flushing. Unscrew eye/face wash head and adapter. Disassemble adapter to gain access and clean rubber flow control.
6. Eye/face wash streams do not meet desired eye level.	6. Possible blocked flow control, see above solution. Possible non-leveled eye/face wash assembly.
7. Water flows through check valve while valve is open.	7. Insure that push plate is fully depressed.
8. Water seeping at the shower or eye/face wash.	8. Shut off the water; remove the inner stem assembly and plunger. Check for damaged seat or 'O' rings, then flush thoroughly. If problem persists order the VRKMK81A for the shower or the VRKMK8A for the eye/face wash.
9. Insufficient water flow at the showerhead, however, eye/face wash is sufficient.	9. Probable clogging of flow control inside showerhead. Unscrew showerhead off of elbow and clean rubber flow control.


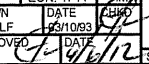
© 2012 Haws® Corporation – All Rights Reserved
HAWS® and other trademarks used in these materials are the exclusive property of Haws Corporation.

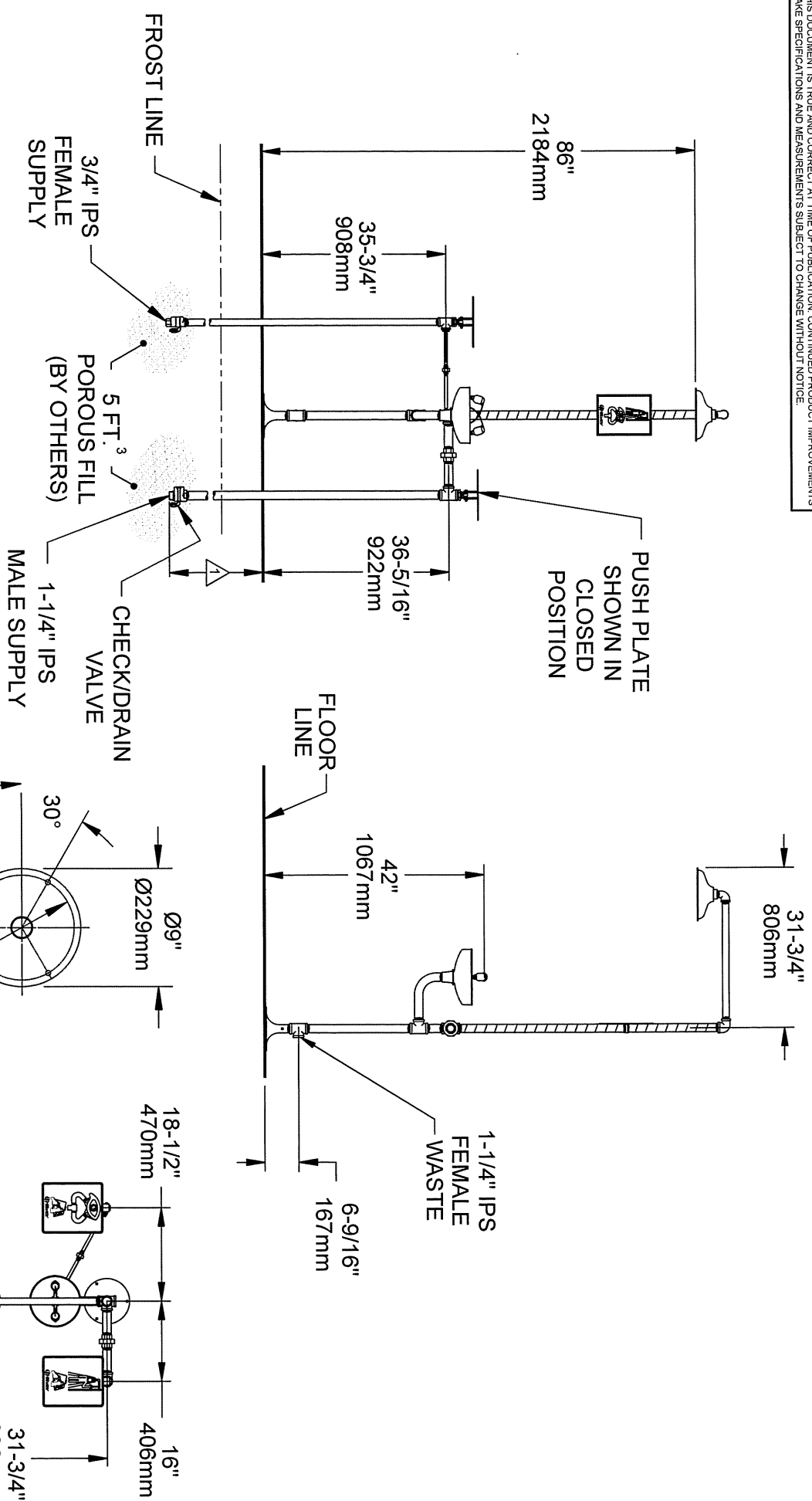
PARTS BREAKDOWN

ITEM	DESCRIPTION	PART NO.
1	SHOWER HEAD	8129FC
2	SHOWER SIGN	SP178
3	FLOOR FLANGE	SP75
4	FREEZE PROOF VALVE	MK8A
5	EYEWASH HEADS	SP11FC
7	SS BOWL	SP90
8	EYEWASH DUST COVERS	9095
9	FREEZE PROOF VALVE	MK81A
10	GREEN & YELLOW LABEL	SP185
11	PUSH PLATE W/ LABELS	SP218
12	TEST TAG	SP170
--	VALVE REPAIR KIT	VRKMK81A
--	VALVE REPAIR KIT	VRKMK8A



WHEN ORDERING PARTS PLEASE SPECIFY MODEL NUMBER.

 Haws [®]		1455 KLEPPE LANE SPARKS, NEVADA 89431 (775) 359-4712 FAX (755) 359-7424 E-MAIL: HAWS@HAWSO.COM WEBSITE: WWW.HAWSO.COM	
		ECN NO. REVISED PER BY ECN: 4744 HDA	MODEL(S) 8300FP
DRAWN CLF	DATE 05/10/03	APPROVED 	DRAWING NO. REV 11491C00 13
SCALE: 1:8		DRAWING TYPE: PARTS BREAKDOWN	SIZE: A SHEET 1 OF 1



NOTES:

△ SPECIFY BURY DEPTH FOR FREEZE RESISTANT VALVE, STANDARD BURY DEPTHS ARE:
 - 24" (610mm), 42" (1067mm) AND 66" (1676mm).

2. DIMENSIONS MAY VARY BY ± 1/2 INCH (13mm).

3. TO COMPLY WITH ANSI Z358.1-2009 FOR EMERGENCY EYEWASH OR EYEFACE WASH AND SHOWER EQUIPMENT:

- UNIT SHALL BE INSTALLED IN ACCORDANCE WITH MANUFACTURER'S INSTRUCTIONS AND ACCEPTABLE PLUMBING PRACTICES.
- EYEWASH OR EYEFACE WASH SHALL BE POSITIONED WITH NOZZLES NOT LESS THAN 83.8 CM (33 IN.) AND NO GREATER THAN 114.3 CM (45 IN.) FROM SURFACE ON WHICH USER STANDS AND 15.3 CM (6 IN.) MINIMUM FROM WALL OR NEAREST OBSTRUCTION.
- SHOWER SHALL BE POSITIONED SO THAT SHOWER HEAD IS NOT LESS THAN 208.3 CM (82 IN.) NOR MORE THAN 243.8 CM (96 IN.) FROM SURFACE ON WHICH USER STANDS.
- SHOWER SPRAY PATTERN SHALL HAVE A MINIMUM DIAMETER OF 50.8 CM (20 IN.) AT 152.4 CM (60 IN.) ABOVE SURFACE ON WHICH USER STANDS, AND CENTER OF SPRAY PATTERN SHALL BE LOCATED AT LEAST 40.6 CM (16 IN.) FROM ANY OBSTRUCTION.

4. WHEN INSTALLING THIS UNIT, LOCAL, STATE OR FEDERAL CODES SHOULD BE ADHERED TO.

MOUNTING DETAIL

TOP VIEW



1455 KLEPPE LANE
 SPARKS, NEVADA 89431
 (775) 358-4712 FAX (755) 358-7424
 E-MAIL: HAWS@HAWS.CO.COM
 WEBSITE: WWW.HAWS.CO.COM

ECN NO. REVISED PER BY:	MODEL(S)	PART NUMBER
DRAWN:	8300FP SHOWER	0002080163.D
DATE:	EYEWASH COMBO	DRAWING NO.
CH:		09530A00
APPROVED:		REV
SCALE: 1:30	DRAWING TYPE:	1/3
INSTALLATION:	SIZE: A	SHEET: 1 OF 1