



# INSTALLATION, OPERATION & MAINTENANCE INSTRUCTIONS

1455 Kleppe Lane ♦ Sparks, NV 89431-6467 ♦ (775) 359-4712 ♦ Fax (775) 359-7424  
E-mail: [haws@hawsco.com](mailto:haws@hawsco.com) ♦ website: [www.hawsco.com](http://www.hawsco.com)

No. 2080162(20)

## Model 8300/8300CRP/8309/8309CRP Shower & Eye/Face Wash

**NOTE TO INSTALLER:** Please leave this information with the Maintenance Department.

### LIMITED WARRANTY

HAWS® warrants that all of its products are guaranteed against defective material or poor workmanship for a period of **one year from date of shipment**. HAWS liability under this warranty shall be discharged by furnishing without charge F.O.B. HAWS Factory any goods, or part thereof, which shall appear to the Company upon inspection to be of defective material or not of first class workmanship, provided that claim is made in writing to company within a reasonable period after receipt of the product. Where claims for defects are made, the defective part or parts shall be delivered to the Company, prepaid, for inspection. HAWS will not be liable for the cost of repairs, alterations or replacements, or for any expense connected therewith made by the owner or his agents, except upon written authority from HAWS, Sparks, Nevada. HAWS will not be liable for any damages caused by defective materials or poor workmanship, except for replacements, as provided above. Buyer agrees that Haws has made no other warranties either expressed or implied in addition to those above stated, except that of title with respect to any of the products or equipment sold hereunder and that HAWS shall not be liable for general, special, or consequential damages claimed to arise under the contract of sale.

The emergency equipment manufactured by HAWS is warranted to function if installation and maintenance instructions provided are adhered to. The units also must be used for the purpose, which they were intended. This product is intended to supplement first-aid treatment. Due to widely varying conditions HAWS cannot guarantee that the use of this emergency equipment will prevent serious injury or the aggravation of existing or prior injuries.

**NO OTHER WARRANTIES EXPRESSED OR IMPLIED ARE AUTHORIZED, PROVIDED OR GIVEN BY HAWS.**

**SHOULD YOU EXPERIENCE DIFFICULTY WITH THE INSTALLATION OF THIS MODEL PLEASE CALL:**

**TECHNICAL SUPPORT: 1-800-766-5612**

**FOR CUSTOMER SERVICE: 1-888-640-4297**

**LOCATION OF UNIT:** The Model 8300/8300CRP/8309/8309CRP Emergency Shower should be installed in close proximity to potential accident areas. It should be clearly identified, free from obstructions and easy to access.

**SUPPLY LINE:** The minimum recommended line size is 1-1/4" IPS with 30-90 psi (2-6 ATM) flowing pressure. Where sediment or mineral content is a problem, an inlet filter is recommended.

**PLUMBING CONNECTIONS:** Inlet supply is female 1-1/4" IPS. Waste outlet is female 1-1/4" IPS.

## INSTALLATION PROCEDURE

Refer to Installation Drawing for clarification. Check parts list to insure all required parts are included. Use pipe joint sealant PST #565 (Loctite) on all connections.

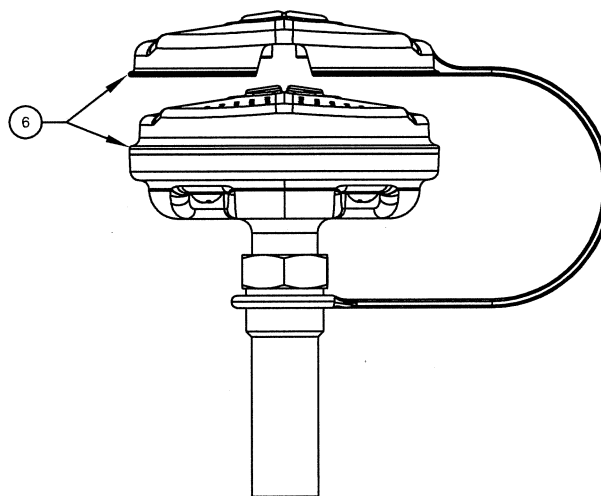
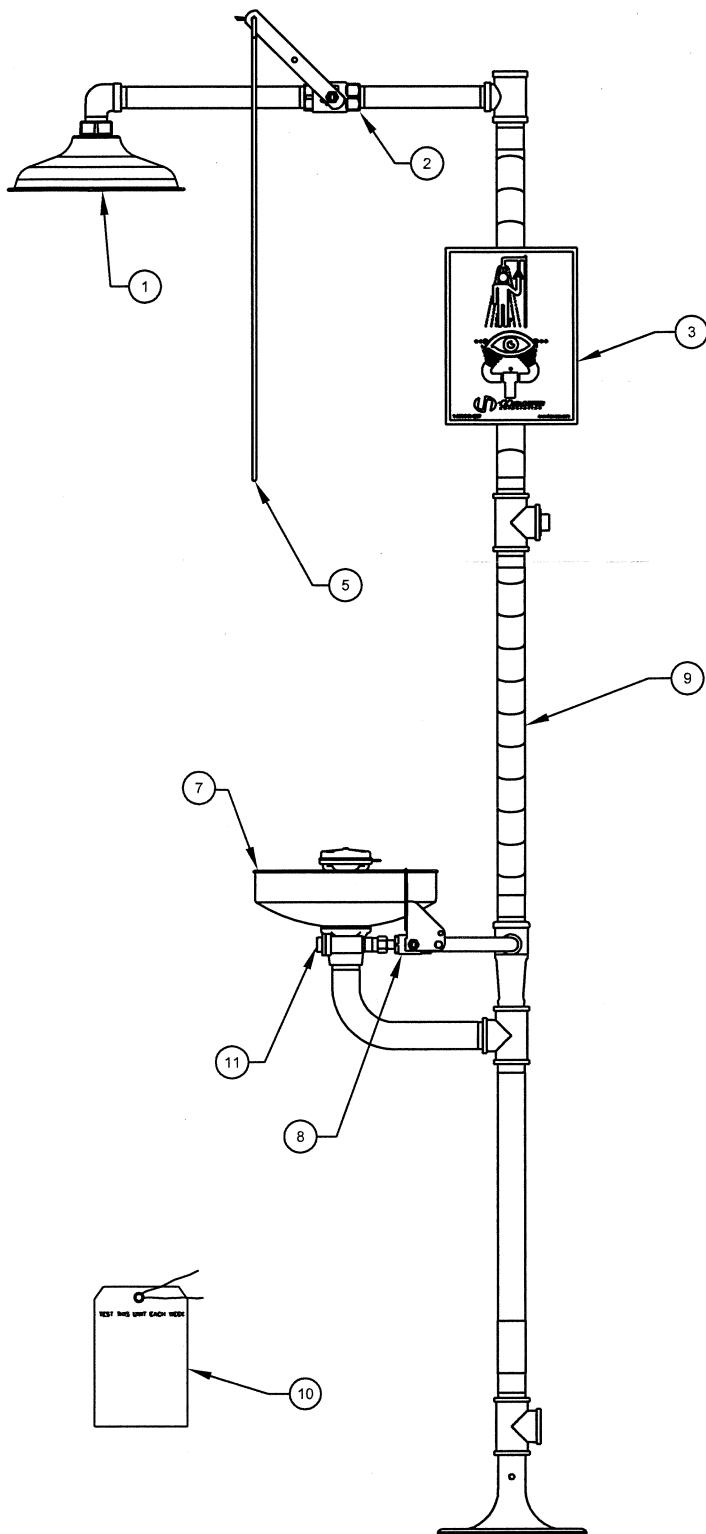
- STEP 1:** Prepare the emergency shower foundation by using the floor flange assembly as a template. Locate the three holes for the 3/8-16 UNC x 6" anchor bolts (not supplied). They should extend 1" above the floor level.
- STEP 2:** Once the concrete foundation is ready (dry), assemble the floor flange assembly to the anchor bolts; then securely fasten with 3/8-16 UNC Hex nuts and 3/8" washers (not supplied). Seal and tighten floor flange and tee (1-1/4") making certain the waste tee is facing the proper location and the foot control holes are facing side to side.
- STEP 3:** Assemble nipple (1-1/4" x 21-1/2") to the floor flange assembly and tighten with a pipe wrench.
- STEP 4:** Assemble the eyewash loop assembly to the 21-1/2" nipple from Step three. Connect the pipe wrench to the galvanized nipple between the two tees to avoid damage.
- STEP 5:** Assemble in the following order:  
Attach nipple (1-1/4" x 24") onto the loop assembly.  
Attach nipple (1-1/4" x 24") onto the tee (1-1/4").  
Attach tee (1-1/4" x 1-1/4" x 1") onto nipple.  
Attach nipple (1x 9") valve assembly onto tee (1-1/4" x 1-1/4" x 1").  
Assemble the street elbow (1") onto nipple (1" x 12-1/2").  
Attach nipple onto valve.
- STEP 6:** Assemble showerhead onto street elbow (1").
- STEP 7:** Assemble the sign onto the unit. Use the strap, screws, washers and nuts provided to mount the sign onto the upright. The sign should be positioned for maximum visibility.
- STEP 8:** Insert the plug into the optional supply line tee that is not used. Before connecting the supply water line to the emergency shower, **FLUSH THE LINE THOROUGHLY.**

<b>TROUBLESHOOTING</b>	
<b>PROBLEM</b>	<b>REPAIR CHECKLIST</b>
1. No flow.	1. Check the main shut-off valve.
2. Water leak between joints or fittings.	2. Tighten loose connections. If leak persists, the application of hot water will sometimes reseal improperly applied joint compound. After 30 minutes wait and retest. A persistent leak will necessitate reassembly and additional sealant.
3. Insufficient water flow, shower and eyewash.	3. Verify minimum 30 psi (2 ATM) flowing supply line pressure.
4. Water does not drain properly.	4. Check your drain system for debris. Check the main waste line of your building to see if it does handle the capacity required for the entire drainage system.
5. Insufficient water flow on eyewash, however, shower is sufficient.	5.a. Verify minimum 30 psi (2 ATM) flowing supply line pressure.
	b. Probable clogging of flow control due to inadequate line flushing. Unscrew eye/face wash head and remove the four screws to disassemble head. Clean flow control and reassemble head. See SP65 Installation Drawing for details.
	c. Remove cap located on L – Strainer using a 3/8" allen wrench to access and clean filter screen.
6. Eyewash or face wash streams do not meet at desired eye level or are not balanced.	6. Possible blocked flow control see above solution. (Possible non-leveled eyewash assembly.)
7. Insufficient water flow at the showerhead, however, eyewash is sufficient.	7.a. Probable clogging of flow control inside shower head. Unscrew shower head off of elbow and clean rubber flow control.

# PARTS BREAKDOWN

OPTIONAL

ITEM	DESCRIPTION	PART NO.
1	SHOWER HEAD	SP829
2	VALVE ASSEMBLY	SP260
3	SHOWER SIGN	SP178
4	FOOT TREADLE (NOT SHOWN)	SP220
5	PULL ROD	SP200
6	EYE/FACE WASH ASSY	SP65
7	SS BOWL	SP90
8	VALVE ASSEMBLY	SP225
9	STRIPE TAPE	SP185
10	TEST TAG	SP170
11	L-STRAINER	SP509
--	STR. REPAIR KIT	VRKEWSTR
--	EYEWASH ASSEMBLY	SP62FC

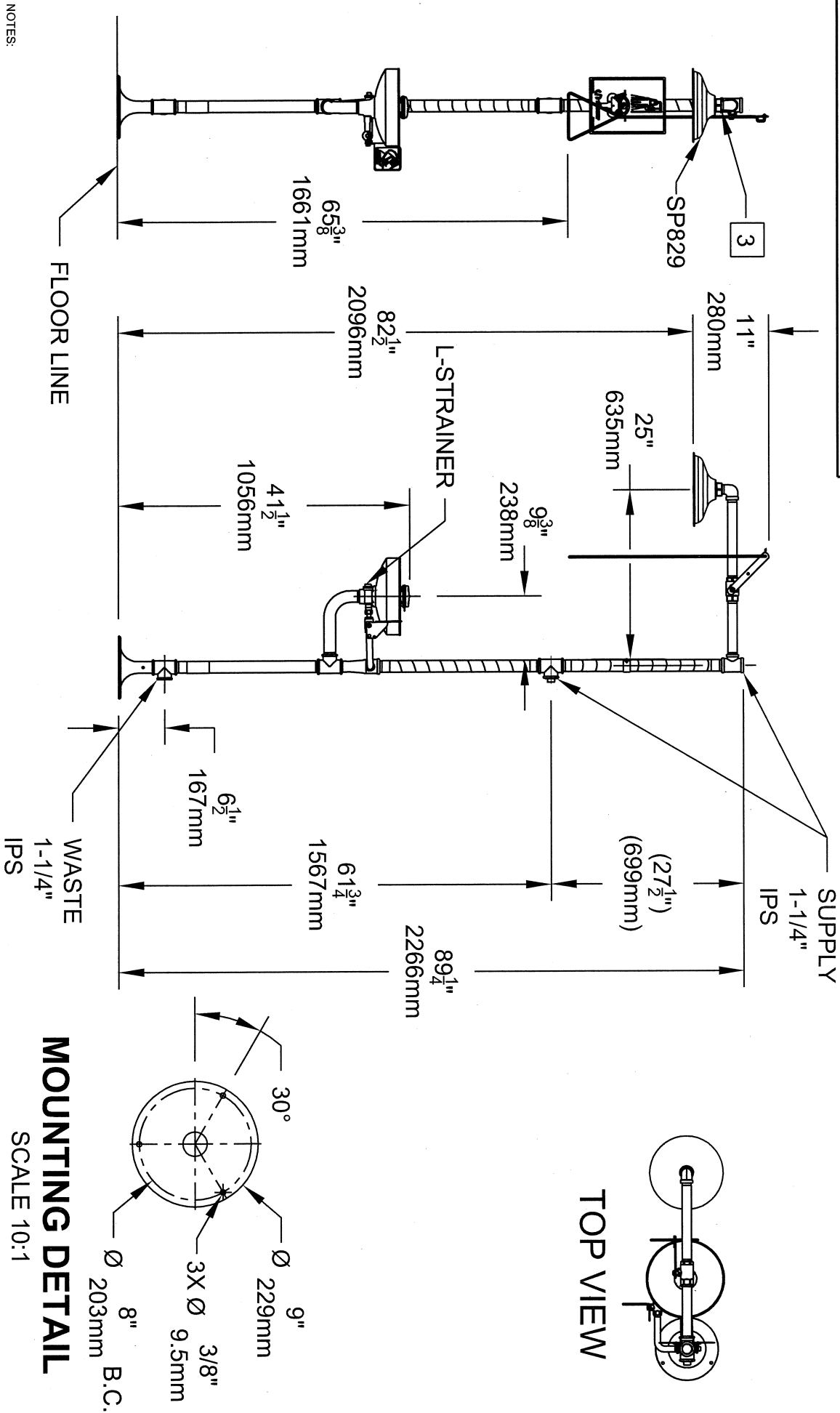


SP65 EYE/FACE WASH ASSEMBLY

**NOTE: MODEL 8300CRP/8309CRP HAS CORROSION RESISTANT COATING ON ALL EXPOSED PIPING.**

WHEN ORDERING PARTS PLEASE SPECIFY MODEL NUMBER.

		1455 KLEPPE LANE SPARKS, NEVADA 89431 (775) 359-4712 FAX (775) 359-7424 E-MAIL: HAWS@HAWS.CO.COM WEBSITE: WWW.HAWS.CO.COM	
		ECN NO. REVISED PER BY ECN: 4621 HM DATE CHKD 02/10/93	MODEL(S) 8300/8300CRP/8309/8309CRP
DRAWN CLF	DATE 02/10/93	APPROVED 	DRAWING NO. REV 11488C00 20
SCALE: 1:1		DRAWING TYPE: PARTS BREAKDOWN	SIZE: A SHEET 1 OF 1



**NOTES:**

1. DIMENSIONS MAY VARY BY ± 1/2 INCH (13mm).
2. TO COMPLY WITH ANSI Z358.1-2009 FOR EMERGENCY EYEWASH OR EYEFACE WASH AND SHOWER EQUIPMENT:
  - UNIT SHALL BE INSTALLED IN ACCORDANCE WITH MANUFACTURER'S INSTRUCTIONS AND ACCEPTABLE PLUMBING PRACTICES.
  - EYEWASH OR EYEFACE WASH SHALL BE POSITIONED WITH NOZZLES NOT LESS THAN 83.8 CM (33 IN.) AND NO GREATER THAN 114.3 CM (45 IN.) FROM SURFACE ON WHICH USER STANDS AND 15.3 CM (6 IN.) MINIMUM FROM WALL OR NEAREST OBSTRUCTION.
  - SHOWER SHALL BE POSITIONED SO THAT SHOWER HEAD IS NOT LESS THAN 208.3 CM (82 IN.) NOR MORE THAN 243.8 CM (96 IN.) FROM SURFACE ON WHICH USER STANDS.
  - SHOWER SPRAY PATTERN SHALL HAVE A MINIMUM DIAMETER OF 50.8 CM (20 IN.) AT 152.4 CM (60 IN.) ABOVE SURFACE ON WHICH USER STANDS, AND CENTER OF SPRAY PATTERN SHALL BE LOCATED AT LEAST 40.6 CM (16 IN.) FROM ANY OBSTRUCTION.
3. DO NOT USE REGULAR PIPE SEALANT. IF NECESSARY, USE DOW CORNING 832 SEALANT PLACING 5 SMALL BEADS ON THE MALE THREADS, JUST ABOVE THE FIRST THREAD.

		<b>Haws</b>	
1455 KLEPPLE LANE SPARKS, NEVADA 89431 (775) 359-4712 FAX (775) 359-7424 E-MAIL: HAWS@HAWS.CO.COM WEBSITE: WWW.HAWS.CO.COM		MODEL(S) 8300/8300CRP/8309/8309CRP	
ECN NO. REVISED PERIOD: EON: 4821 4821	DATE: 07/25/08	DATE: 07/25/08	DATE: 07/25/08
DRAWN: SJS	CHECKED: SJS	APPROVED: SJS	SCALE: 1:1
PART NUMBER: 0002080162 D	DRAWING NO: 09459A00	SIZE: A	SHEET: 1 OF 1