



**INSTALLATION, OPERATION
&
MAINTENANCE INSTRUCTIONS**

1455 Kleppe Lane ♦ Sparks, NV 89431-6467 ♦ (775) 359-4712 ♦ Fax (775) 359-7424
E-mail: haws@hawsco.com ♦ website: www.hawsco.com

No. 2080042(10)

**Model 7360B/7360BT/7460B/7460BT
Eye/Face Wash**

NOTE TO INSTALLER: Please leave this information with the Maintenance Department.

LIMITED WARRANTY

HAWS® warrants that all of its products are guaranteed against defective material or poor workmanship for a period of **one year from date of shipment**. HAWS liability under this warranty shall be discharged by furnishing without charge F.O.B. HAWS Factory any goods, or part thereof, which shall appear to the Company upon inspection to be of defective material or not of first class workmanship, provided that claim is made in writing to company within a reasonable period after receipt of the product. Where claims for defects are made, the defective part or parts shall be delivered to the Company, prepaid, for inspection. HAWS will not be liable for the cost of repairs, alterations or replacements, or for any expense connected therewith made by the owner or his agents, except upon written authority from HAWS, Sparks, Nevada. HAWS will not be liable for any damages caused by defective materials or poor workmanship, except for replacements, as provided above. Buyer agrees that Haws has made no other warranties either expressed or implied in addition to those above stated, except that of title with respect to any of the products or equipment sold hereunder and that HAWS shall not be liable for general, special, or consequential damages claimed to arise under the contract of sale.

The emergency equipment manufactured by HAWS is warranted to function if installation and maintenance instructions provided are adhered to. The units also must be used for the purpose, which they were intended. This product is intended to supplement first-aid treatment. Due to widely varying conditions HAWS cannot guarantee that the use of this emergency equipment will prevent serious injury or the aggravation of existing or prior injuries.

NO OTHER WARRANTIES EXPRESSED OR IMPLIED ARE AUTHORIZED, PROVIDED OR GIVEN BY HAWS.

SHOULD YOU EXPERIENCE DIFFICULTY WITH THE INSTALLATION OF THIS MODEL, PLEASE CALL:

1-800-766-5612

FOR PARTS CALL:

1-800-758-9378

**(U.S.A. AND CANADA ONLY) MONDAY-THURSDAY: 6:00 A.M. – 4:00 P.M. PST
FRIDAY: 6:00 A.M – 1:00 P.M. PST**

LOCATION OF UNIT: The Model 7360B/7360BT/7460B/7460BT Emergency Eyewash units should be installed in close proximity to potential accident areas. They should be clearly identified free from obstructions and easy to access.

SUPPLY LINE: The minimum recommended line size is 1/2" IPS with 30-90 psi (2--6 ATM) pressure. Where sediment or mineral content is a problem, an inlet filter is recommended.

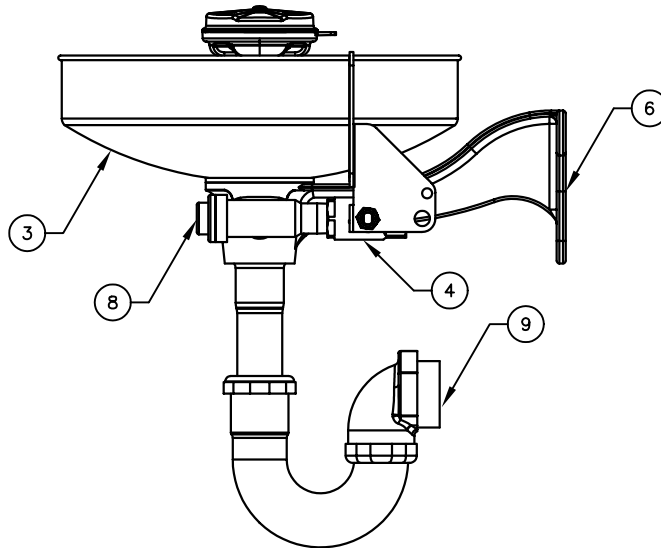
PLUMBING CONNECTIONS: Inlet supply is female 1/2" IPS. Waste outlet is 1-1/2" IPS.

TROUBLESHOOTING	
PROBLEM	REPAIR CHECKLIST
1. No flow.	1. Check the main shut-off valve.
2. Insufficient water flow.	2. a. Verify minimum 30 psi (2 ATM) flowing supply line pressure. b. Probable clogging of flow control due to inadequate line flushing. Turn water supply off. Unscrew eye/face wash head and remove the four screws to disassemble head. Clean flow control and reassemble head. See SP65 Installation Drawing for details. c. Remove cap located on L – Strainer using a 3/8" allenwrench to access and clean filter screen.
3. Eyewash or facewash streams do not meet desired eye level or are not balanced.	3. Possible blocked flow control, see above solution. Possible non-leveled eyewash assembly.
4. Water does not drain properly.	4. Check the main waste line of your building to see if it does handle the capacity required for the entire drainage system.

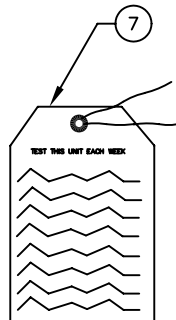
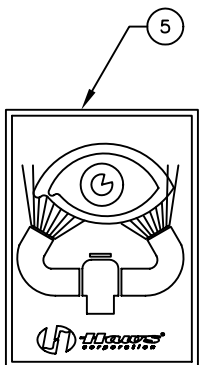
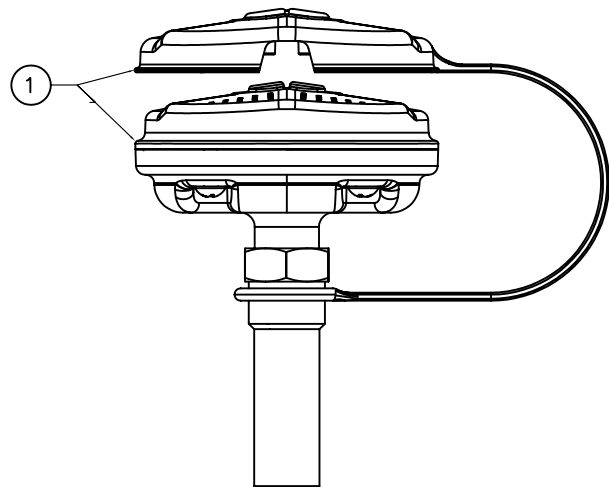
For more information about Haws products, see our website: www.hawsc.com

PARTS BREAKDOWN

ITEM	DESCRIPTION
1	SP65 EYE/FACE WASH ASSY
2	-
3	SP90 BOWL
4	SP229 VALVE ASSEMBLY
5	SP175 EYEWASH SIGN
6	SP80 BRACKET
7	SP170 TEST TAG
8	SP509 L-STRAINER
9	SP95 TAILPIECE & TRAP
--	VRKEWSTR STR. REPAIR KIT
--	SP69FC EYEWASH ASSEMBLY



NOTE: SP95 TAILPIECE & TRAP INCLUDED W/MODEL 7360BT & 7460BT ONLY



SP65 EYE/FACE WASH ASSEMBLY
 (INCLUDES: EYE/FACE WASH HEAD (SHOWN)
 EYEWASH HEAD (NOT SHOWN), EYEWASH FLOW
 CONTROL (NOT SHOWN), DUST COVER (SHOWN))

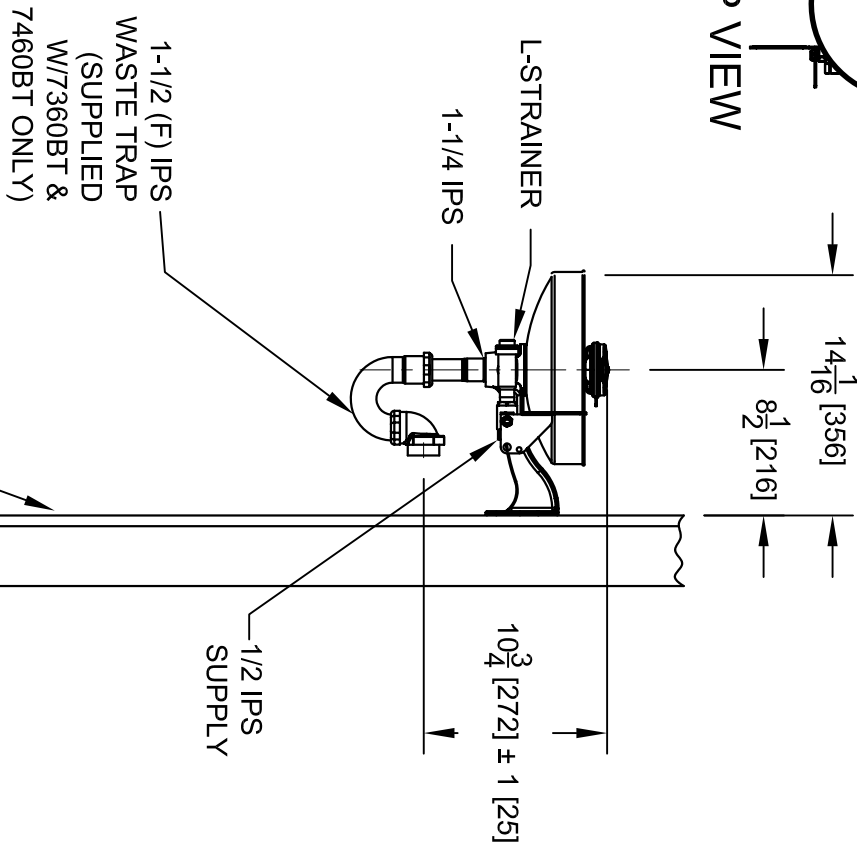
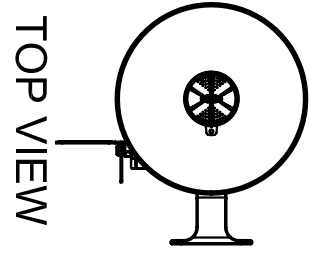
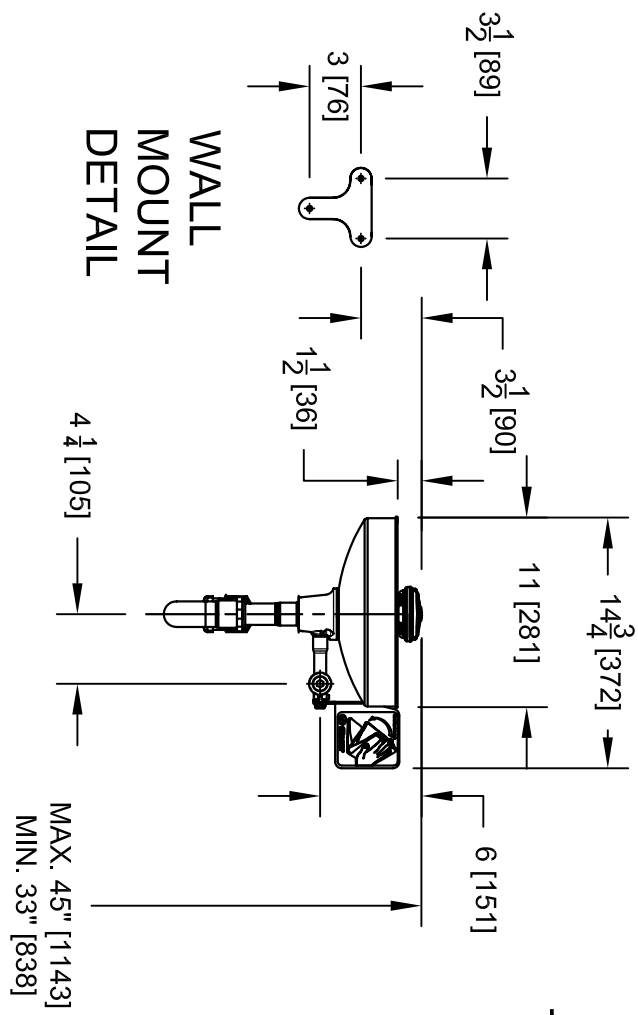
REV	DESCRIPTION	ECN	DATE	BY/APVD
10	UPDATED PER ECN	4367	12/2/09	IR

**WHEN ORDERING
 PARTS PLEASE
 SPECIFY YOUR
 MODEL NUMBER**



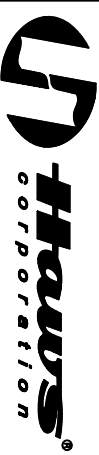
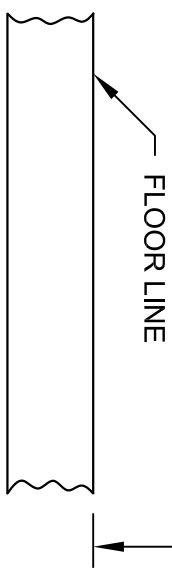
1455 KLEPPE LANE
 SPARKS, NEVADA 89431
 (775) 359-4712 FAX (775) 359-7424
 E-MAIL: HAWS@HAWS.CO.COM
 WEBSITE: WWW.HAWS.CO.COM

DRAWN BY: CLF	DATE: 02/23/93	CHECK BY:	APPVD BY:	SCALE: 3/4
TITLE: 7360B/7460B, 7360BT/7460BT			PART NUMBER: 0002080042	
DRAWING TYPE: PARTS BREAKDOWN			DRAWING NUMBER: 11449C00	REV: 10



NOTES:

1. METRIC DIMENSIONS ARE IN BRACKETS [X].
2. TO COMPLY WITH ANSI Z358.1-2009 FOR EMERGENCY EYEWASH OR EYEFACE WASH:
 - UNIT SHALL BE INSTALLED IN ACCORDANCE WITH MANUFACTURER'S INSTRUCTIONS AND ACCEPTABLE PLUMBING PRACTICES.
 - EYEWASH OR EYEFACE WASH SHALL BE POSITIONED WITH NOZZLES NOT LESS THEN 83.8 CM (33 IN.) AND NO GREATER THAN 114.3 CM (45 IN.) FROM SURFACE ON WHICH USER STANDS AND 15.3 CM (6 IN.) MINIMUM FROM WALL OR NEAREST OBSTRUCTION.
3. DIMENSIONS MAY VARY BY ± 1/2 [13].



DATE: 4/10	REVISED: 4/28/08	DATE: 4/28/08	DATE: 4/28/08
DRAWN: SLS	CHKD: SLS	DATE: 4/28/08	DATE: 4/28/08
APPROVED: SLS	DATE: 4/28/08	DATE: 4/28/08	DATE: 4/28/08
SCALE: 1:1	SCALE: 1:1	SCALE: 1:1	SCALE: 1:1
MODEL(S): 7360B/7460B, 7360BT/7460BT	MODEL(S): 7360B/7460B, 7360BT/7460BT	MODEL(S): 7360B/7460B, 7360BT/7460BT	MODEL(S): 7360B/7460B, 7360BT/7460BT
INFO FAX DOC#: 273802, 2738028, 274602, 2746028	INFO FAX DOC#: 273802, 2738028, 274602, 2746028	INFO FAX DOC#: 273802, 2738028, 274602, 2746028	INFO FAX DOC#: 273802, 2738028, 274602, 2746028
1455 KLEPPE LANE	1455 KLEPPE LANE	1455 KLEPPE LANE	1455 KLEPPE LANE
SPARKS, NEVADA 89431	SPARKS, NEVADA 89431	SPARKS, NEVADA 89431	SPARKS, NEVADA 89431
(775) 359-4712 FAX (775) 359-7424	(775) 359-4712 FAX (775) 359-7424	(775) 359-4712 FAX (775) 359-7424	(775) 359-4712 FAX (775) 359-7424
EMAIL: HAWS@HAWS.CO.COM	EMAIL: HAWS@HAWS.CO.COM	EMAIL: HAWS@HAWS.CO.COM	EMAIL: HAWS@HAWS.CO.COM
WEBSITE: WWW.HAWS.CO.COM	WEBSITE: WWW.HAWS.CO.COM	WEBSITE: WWW.HAWS.CO.COM	WEBSITE: WWW.HAWS.CO.COM
DATE: 02/04/2010	DATE: 02/04/2010	DATE: 02/04/2010	DATE: 02/04/2010
TIME: 08:00	TIME: 08:00	TIME: 08:00	TIME: 08:00
SHEET: 1 OF 1	SHEET: 1 OF 1	SHEET: 1 OF 1	SHEET: 1 OF 1