



# INSTALLATION, OPERATION & MAINTENANCE INSTRUCTIONS

1455 Kleppe Lane ♦ Sparks, NV 89431-6467 ♦ (775) 359-4712 ♦ Fax (775) 359-7424  
E-mail: [haws@hawsco.com](mailto:haws@hawsco.com) ♦ website: [www.hawsco.com](http://www.hawsco.com)

No. 2080043(16)

## Model 7261/7271 Pedestal Eye/Face Wash

**NOTE TO INSTALLER:** Please leave this information with the Maintenance Department.

### LIMITED WARRANTY

HAWS warrants that this specific product is guaranteed against defective material or poor workmanship for a period of **one year from date of shipment**. HAWS liability under this warranty shall be discharged by furnishing without charge F.O.B. HAWS Factory any goods, or part thereof, which shall appear to the Company upon inspection to be of defective material or not of first class workmanship, provided that claim is made in writing to Haws within a reasonable period after receipt of the product. Where claims for defects are made, the defective part or parts shall be delivered to the Company, prepaid, for inspection. HAWS will not be liable for the cost of repairs, alterations or replacements, or for any expense connected therewith made by the owner or his agents, except upon written authority from HAWS, Sparks, Nevada. HAWS will not be liable for any damages caused by defective materials or poor workmanship, except for replacements, as provided above. Buyer agrees that Haws has made no other warranties either expressed or implied in addition to those above stated, except that of title with respect to any of the products or equipment sold hereunder and that HAWS shall not be liable for general, special, or consequential damages claimed to arise under the contract of sale.

The emergency equipment manufactured by HAWS is warranted to function if installation and maintenance instructions provided are adhered to. The units also must be used for the purpose for which they were intended. This product is intended to supplement first-aid treatment. Due to widely varying conditions, Haws cannot guarantee that the use of this emergency equipment will prevent serious injury or the aggravation of existing or prior injuries.

**NO OTHER WARRANTIES EXPRESSED OR IMPLIED ARE AUTHORIZED, PROVIDED OR GIVEN BY HAWS.**

**SHOULD YOU EXPERIENCE DIFFICULTY WITH THE INSTALLATION OF THIS MODEL PLEASE CALL:**

**TECHNICAL SUPPORT: 1-800-766-5612**

**FOR CUSTOMER SERVICE: 1-888-640-4297**

**LOCATION OF UNIT:** The Model 7261/7271 Eyewash unit should be installed in close proximity to potential accident areas. It should be clearly identified, free from obstructions and easy to access.

**SUPPLY LINE:** The minimum recommended line size is 1/2" IPS with 30-90 psi (2-6 ATM) flowing pressure. Where sediment or mineral content is a problem, an inlet filter is recommended.

**PLUMBING CONNECTIONS:** Inlet supply is female 1/2" IPS. Waste outlet is 1-1/4" IPS.

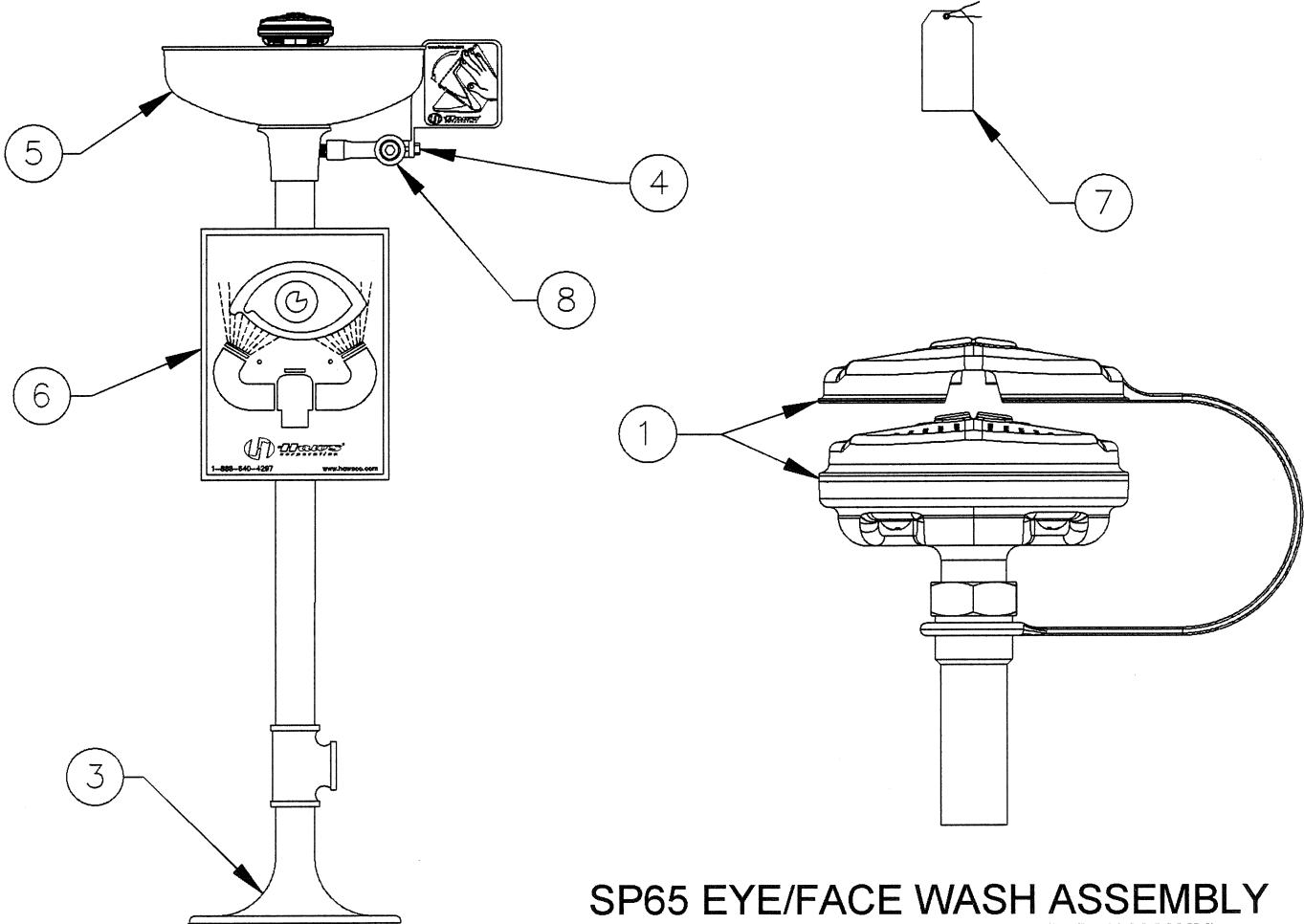
<b>TROUBLESHOOTING</b>	
<b>PROBLEM</b>	<b>REPAIR CHECKLIST</b>
1. No flow.	1. Check the main shut-off valve.
2. Insufficient water flow.	2. a. Verify minimum 30psi flowing supply line pressure.  b. Probable clogging of flow control due to inadequate line flushing. Unscrew eye/face wash head and remove the four screws to disassemble the head. Clean the flow control and reassemble head. See SP65 Installation Drawing for details.  c. Remove cap located on L – Strainer using a 3/8" allen wrench to access and clean filter screen.
3. Eyewash or face/wash streams do not meet desired level or are not balanced.	3. Possible blocked flow control, see above solution. Possible non-leveled eyewash assembly.
4. Water does not drain properly.	4. Check the main waste line of your building to see if it does handle the capacity required for the entire drainage system.

For more information on Haws products, see our website: [www.hawesco.com](http://www.hawesco.com)

OPTIONAL


# PARTS BREAKDOWN

ITEM	DESCRIPTION	PART NO.
1	EYE/FACE WASH ASSY	SP65
2	FOOT TREADLE (NOT SHOWN)	SP220
3	FLOOR FLANGE	SP75
4	VALVE ASSEMBLY	SP229
5	BOWL	SP93
6	EYEWASH SIGN	SP175
7	TEST TAG	SP170
8	L-STRAINER	SP509
--	VRKEWSTR STR. REPAIR KIT	--

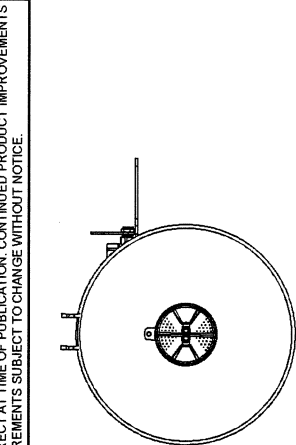
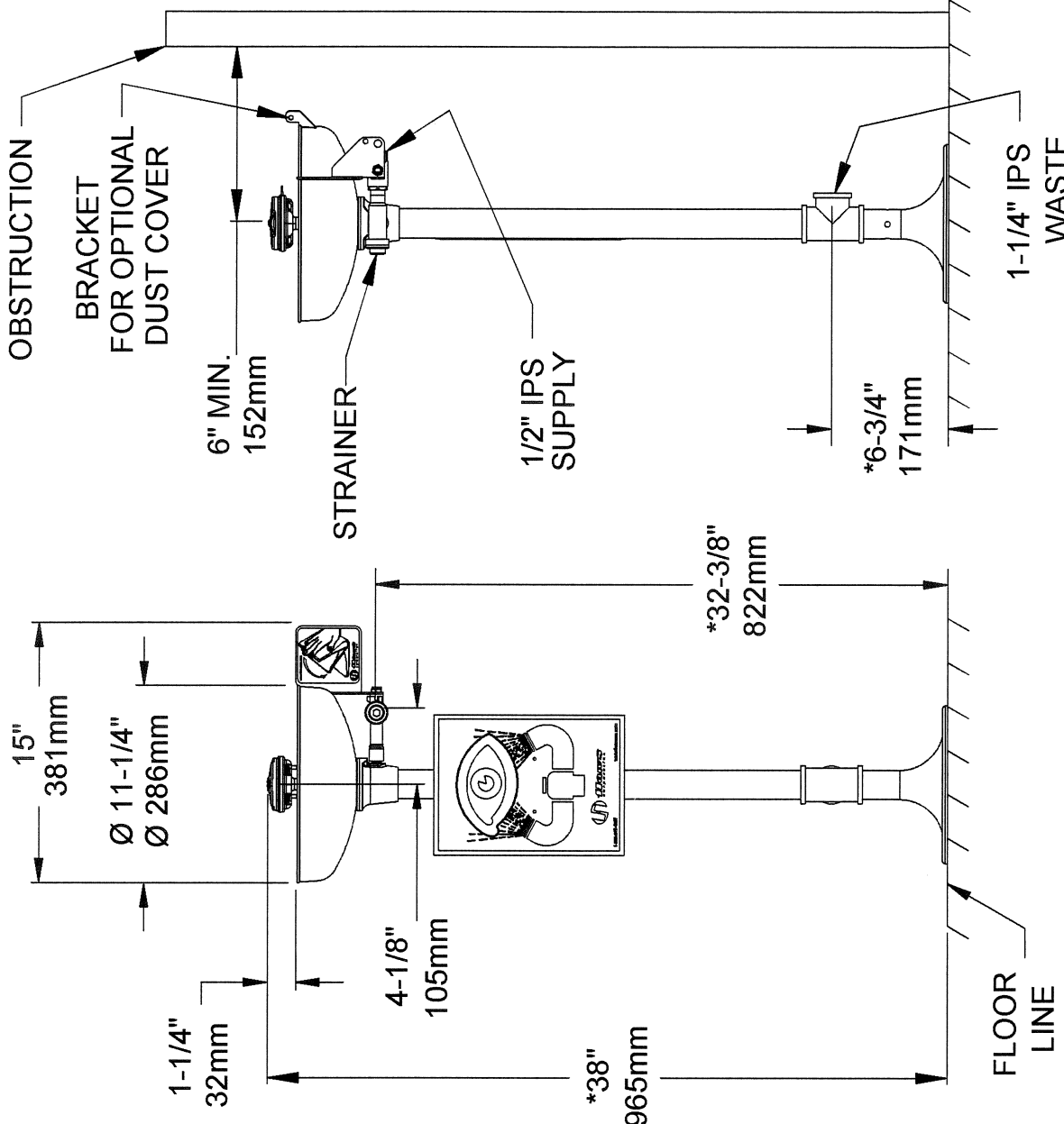


**SP65 EYE/FACE WASH ASSEMBLY**  
 (INCLUDES: EYE/FACE WASH HEAD (SHOWN)  
 EYEWASH HEAD (NOT SHOWN), EYEWASH FLOW  
 CONTROL (NOT SHOWN), DUST COVER (SHOWN))

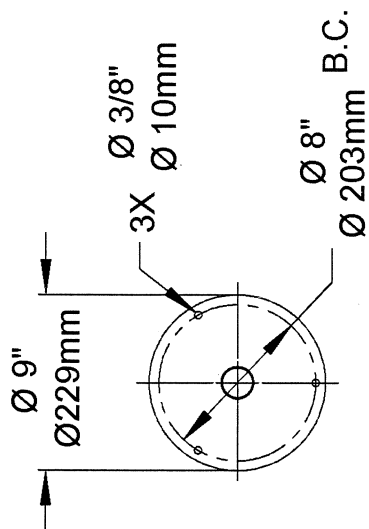
WHEN ORDERING PARTS PLEASE SPECIFY MODEL NUMBER.

 <b>Haws</b> <sup>®</sup>		1455 KLEPPE LANE SPARKS, NEVADA 89431 (775) 359-4712 FAX (755) 359-7424 E-MAIL: HAWS@HAWSCO.COM WEBSITE: WWW.HAWSCO.COM	
		ECN NO. REVISED PER BY ECN: 4658 HM	MODEL(S) 7261/7271
DRAWN CLF DATE 02/23/83 APPROVED [Signature] DATE	SCALE: 1:1 DRAWING TYPE: PARTS BREAKDOWN	DRAWING NO. 11447C00 REV 16	SIZE: A SHEET 1 OF 1

THIS DOCUMENT IS TRUE AND CORRECT AT TIME OF PUBLICATION. CONTINUED PRODUCT IMPROVEMENTS MAKE SPECIFICATIONS AND MEASUREMENTS SUBJECT TO CHANGE WITHOUT NOTICE.



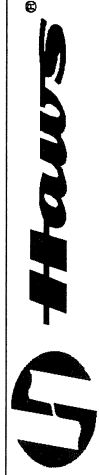
TOP VIEW



MOUNTING DETAIL

NOTES:

1. TO COMPLY WITH ANSI Z358.1-2009 FOR EMERGENCY EYEWASH AND EYE/FACE WASH:  
 - UNIT SHALL BE INSTALLED IN ACCORDANCE WITH MANUFACTURER'S INSTRUCTIONS AND ACCEPTABLE PLUMBING PRACTICES.  
 - EYEWASH OR EYE/FACE WASH SHALL BE POSITIONED WITH NOZZLES NOT LESS THAN 83.8 CM (33IN.) AND NO GREATER THAN 114.3 CM (45 IN.) FROM SURFACE ON WHICH USER STANDS AND 15.3 CM (6 IN.) MINIMUM FROM WALL OR NEAREST OBSTRUCTION.  
 \*THESE DIMENSIONS MAY VARY ± 1/2" [12.7mm]



1455 KLEPPE LANE  
 SPARKS, NEVADA 89431  
 (775) 359-4712 FAX (775) 359-7424  
 E-MAIL: HAWS@HAWS.CO.COM  
 WEBSITE: WWW.HAWS.CO.COM

ECN NO	REVISED PER BY:	MODEL(S)	726117271
ECN: 4709	HM		
DATE: 7/04/92	CHK'D		
APPROVED:	DATE:		
	SCALE: 1:1	DRAWING TYPE: INSTALLATION	SIZE: A SHEET 1 OF 1
			PART NUMBER: 0002080043 D
			DRAWING NO: 093998A00
			REV: 16