



# INSTALLATION, OPERATION & MAINTENANCE INSTRUCTIONS

1455 Kleppe Lane ♦ Sparks, NV 89431-6467 ♦ (775) 359-4712 ♦ Fax (775) 359-7424  
HAWS AG ♦ Bachweg 3 ♦ CH-3401 Burgdorf ♦ Switzerland  
Haws Mfg. Pte Lt. ♦ 2A Sungei Kadet Drive ♦ Singapore 729554  
Avlis-Avenida Senador, Testonio Vilela ♦ 505 Jardim Aeroporto ♦ Itu, S.P. 13304-550 ♦ Brasil  
E-mail: [haws@hawsco.com](mailto:haws@hawsco.com) ♦ website: [www.hawsco.com](http://www.hawsco.com)

No. 2077583(2)

## Model 5725 EnviroGard™ Bubbler Head

**NOTE TO INSTALLER:** Please leave this information with the Maintenance Department.

### LIMITED WARRANTY

HAWS® warrants that all of its products are guaranteed against defective material or poor workmanship for a period of **one year from date of shipment**. HAWS liability under this warranty shall be discharged by furnishing without charge F.O.B. HAWS Factory any goods, or part thereof, which shall appear to the Company upon inspection to be of defective material or not of first class workmanship, provided that claim is made in writing to company within a reasonable period after receipt of the product. Where claims for defects are made, the defective part or parts shall be delivered to the Company, prepaid, for inspection. HAWS will not be liable for the cost of repairs, alterations or replacements, or for any expense connected therewith made by the owner or his agents, except upon written authority from HAWS, Sparks, Nevada. HAWS will not be liable for any damages caused by defective materials or poor workmanship, except for replacements, as provided above. Buyer agrees that Haws has made no other warranties either expressed or implied in addition to those above stated, except that of title with respect to any of the products or equipment sold hereunder and that HAWS shall not be liable for general, special, or consequential damages claimed to arise under the contract of sale. The drinking fountain manufactured by HAWS is warranted to function if installation and maintenance instructions provided are adhered to. The units also must be used for the purpose for which they were intended.

**NO OTHER WARRANTIES EXPRESSED OR IMPLIED ARE AUTHORIZED, PROVIDED OR GIVEN BY HAWS.**

**SHOULD YOU EXPERIENCE DIFFICULTY WITH THE INSTALLATION OF THIS MODEL, PLEASE CALL:**

**1-800-766-5612**

**FOR PARTS CALL:**

**1-800-758-9378**

**(U.S.A. AND CANADA ONLY) MONDAY-THURSDAY: 6:00 A.M. – 4:00 P.M. PST  
FRIDAY: 6:00 A.M – 1:00 P.M. PST**

**RECOMMENDED TOOLS:** Pipe joint sealant, 6" adjustable wrench, 3/32" hex key, 0.038 tip dia. internal / external (convertible) retaining ring pliers.

**SUPPLY LINE:** The minimum recommended line size is 1/2" IPS, with 30-90 psi (2-6 ATM) pressure. Where sediment or mineral content in water is a problem, an inlet filter is recommended.

**PLUMBING CONNECTIONS:** Inlet is 1/4" IPS (female).

**Note:**

1. Do not use any thread sealant on nozzle threads (see page 4 of 4).
2. An inlet filter (60 mesh minimum) like model 6421 (not supplied) is highly recommended as well as a flow regulator when using this head on a competitors model or custom application.
3. Note 2 doesn't apply if your fountain is equipped with a 5874 valve, or a 5872 valve that is utilizing either a 6420 or 6421 filter.

## INSTALLATION PROCEDURE

Refer to Installation Drawing for details (page 4 of 4).

**CAUTION: DO NOT FLUSH SYSTEM WITH NOZZLE IN PLACE (see step 3).**

**Step 1:** Assemble bubbler unit to fountain (make sure lock pin ring is in place, see page 4 of 4).

**Step 2:** Apply pipe sealant to threads on inlet connection leaving first thread free of any sealant.

**Step 3: IMPORTANT:** After the water supply is connected to the valve, remove nozzle assembly using retaining ring pliers (see page 4 of 4 for details) and thoroughly flush system. Failure to do so may cause premature clogging of flow control. **Note: lift the cover up then turn the valve on to purge all the air out of the system.**

## MAINTENANCE

### Head disassembly instructions:

**Step 1:** Remove bubbler head from fountain.

**Step 2:** Remove lock pin ring and unscrew shank from base of head.

**Step 3:** Using two 3/32" hex keys (not supplied) proceed to separate the cover from the shaft/float assembly.

**Step 4:** Slide out shaft/float assembly from head and if needed unscrew shaft from washer float assembly.

**Step 5:** Replace damaged components as needed and carefully reassemble them in reverse order as described in the Head Reassembly Instructions.

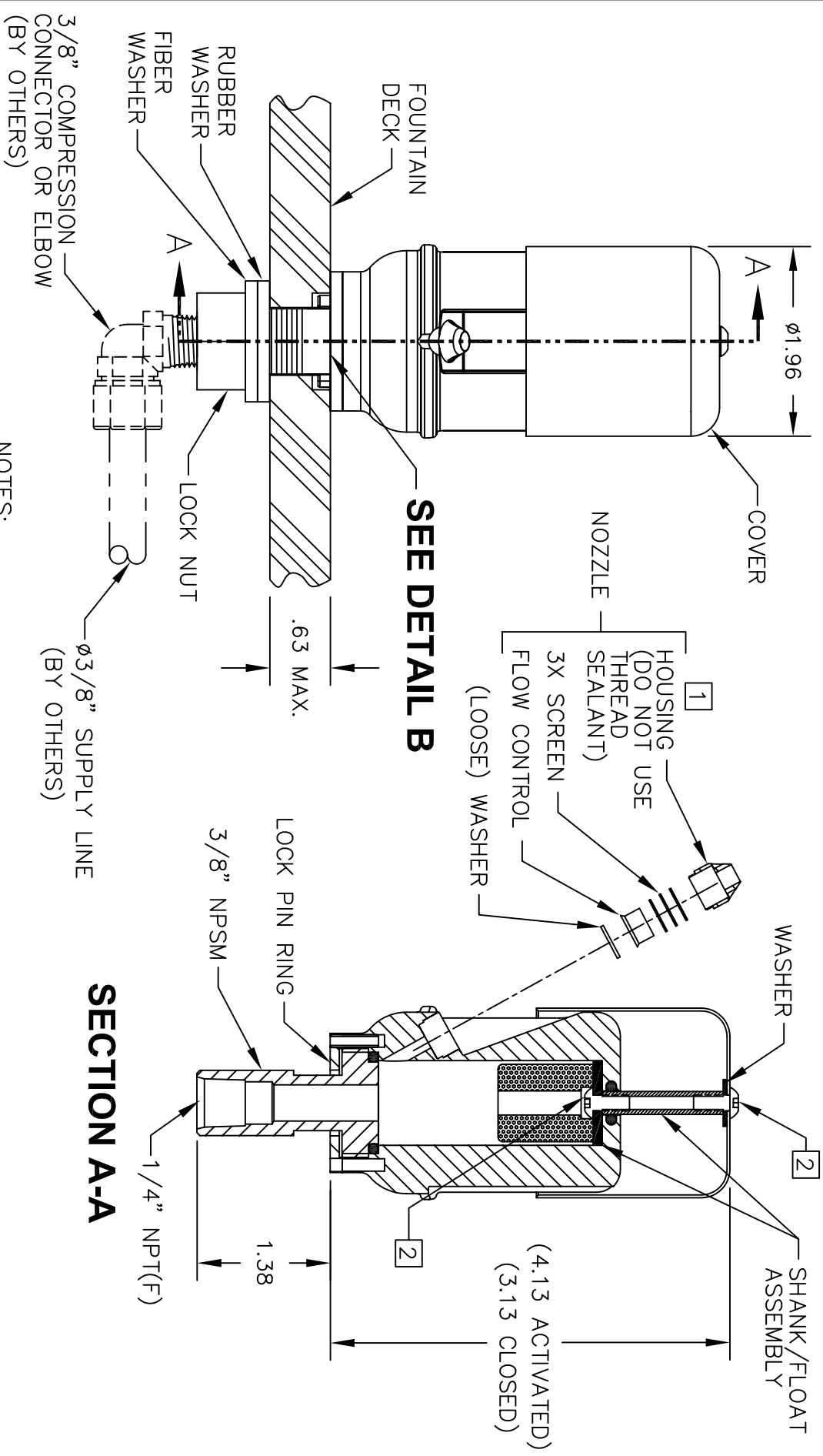
## Head reassembly instructions:

Note: make sure housing is free of any debris before and during assembly process:

- Step 1:** Apply a 360° bead of Loctite #243 (available from Haws P/N 0003244389) onto threads of cover screw (leaving the first thread free) and insert screw through top of cover. Flip cover upside down (while keeping screw in place) and place the stainless steel washer onto screw.
- Step 2:** Insert shaft/float assembly through bottom of head and up through opening in top of head.
- Step 3:** Flip head upside down and insert into (inverted) cover while still holding screw in place (This self-aligning step facilitates assembling screw into shaft). Screw shaft/float assembly to cover until screw stops. Do not tighten.
- Step 4:** Flip assembly upright and slide cover up and down to check for smooth operation. If everything works fine, proceed to hold cover down and tighten cover screw. (Only use one hex key for this step).
- Step 5:** Screw in the shank making sure that O-ring is in place and slide the lock pin ring to base of head. (Note: counter-bore side is facing bottom of head).
- Step 6:** Refer to steps 1 thru 3 of installation procedure (page 2 of 4) before and after proceeding to assemble head to fountain.

<b>TROUBLESHOOTING</b>	
<b>PROBLEM</b>	<b>REPAIR CHECKLIST</b>
1. Insufficient bubbler flow.	<ul style="list-style-type: none"> <li>a. Check that inlet screwdriver stop valve (not supplied) is in wide-open position.</li> <li>b. Verify minimum 30 psi flowing supply pressure.</li> <li>c. Adjust flow rate on push button/lever handle valve.</li> <li>d. Check for debris in filter (if present) and clean out.</li> <li>e. Check for debris in nozzle by removing with snap ring pliers (Note: use 0.038 tip dia. internal / external (convertible) retaining ring pliers, not supplied). If dirty, remove flow control and screens by inserting a small (3/16" dia. max.) blunt object through the nozzle orifice and pushing outward. Be careful not to damage screens or lose any components. Flush system thoroughly before reassembling nozzle. Reassemble exactly as shown on Installation Drawing. Note orientation of flow control (end with four small opening facing screens).</li> </ul>
2. Excessive bubbler flow	<ul style="list-style-type: none"> <li>a. Adjust flow rate on push button/lever handle valve.</li> <li>b. Make sure washer is present beneath nozzle.</li> </ul>
3. Cover sticks	<ul style="list-style-type: none"> <li>a. Spin around a few times and cycle through a few times to release any debris caught between parts.</li> </ul>
4. Cover or shaft assembly gets damaged.	<ul style="list-style-type: none"> <li>a. See 'head disassembly' instructions under maintenance heading.</li> </ul>

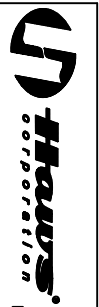
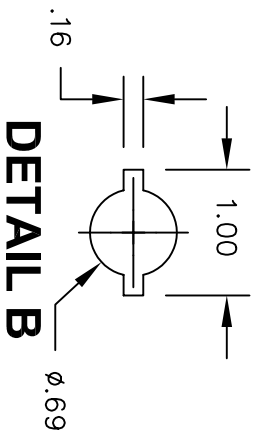
© 2006 Haws® Corporation – All Rights Reserved  
 HAWS® and other trademarks used in these materials are the exclusive property of Haws Corporation.



SEE DETAIL B

SECTION A-A

- NOTES:
- 1 USE 0.038 TIP DIA. INTERNAL/EXTERNAL (CONVERTIBLE) RETAINING RING PLIERS (NOT SUPPLIED) TO REMOVE HOUSING (NOZZLE)
  - 2 IF NEEDED USE 2 HEX KEYS (NOT SUPPLIED) FOR SCREW REMOVAL. SEE OPERATION AND MAINTENANCE MANUAL FOR HEAD DISASSEMBLY AND REASSEMBLY INSTRUCTIONS.



INFO FAX : 1-888-FAX-HAWS (1-888-329-4297)  
 1455 Kleppe Ln, Sparks NV, 89431  
 Phone: 775-359-4712 Fax: 775-359-7424  
 Haws Ag Bochweg 3 CH-3401 Burgdorf Switzerland  
 Haws Mfg Pte Ltd 74 Sungei Kadut Loop Singapore 729531  
 e-mail: Haws@hawsco.com website: www.hawsco.com

DESIGN NO.	REVISED PART	MODEL(S)	ENVIRONMENTAL	WARRANTY
09/14/04	09/14/04	5725	ENVIROGARD™ BIBBLER HEAD	5725
DATE	DATE	SCALE	1:1.5	DRAWING TYPE: INSTALLATION/ASSEMBLY
APPROVED:	DATE	SCALE	1:1.5	DRAWING TYPE: INSTALLATION/ASSEMBLY
PART NUMBER	REV	DATE	BY	CHK
0002077583.D	1	09/14/04	SR	SR