



INSTALLATION, OPERATION & MAINTENANCE INSTRUCTIONS

1455 Kleppe Lane ♦ Sparks, NV 89431-6467 ♦ (775) 359-4712 ♦ Fax (775) 359-7424
E-mail: haws@hawsco.com ♦ website: www.hawsco.com

No. 2077367(16)

Model 3380/3380G Drinking Fountain

NOTE TO INSTALLER: Please leave this information with the Maintenance Department.

LIMITED WARRANTY

HAWS® warrants that all of its products are guaranteed against defective material or poor workmanship for a period of **one year from date of shipment**. HAWS liability under this warranty shall be discharged by furnishing without charge F.O.B. HAWS Factory any goods, or part thereof, which shall appear to the Company upon inspection to be of defective material or not of first class workmanship, provided that claim is made in writing to company within a reasonable period after receipt of the product. Where claims for defects are made, the defective part or parts shall be delivered to the Company, prepaid, for inspection. HAWS will not be liable for the cost of repairs, alterations or replacements, or for any expense connected therewith made by the owner or his agents, except upon written authority from HAWS, Sparks, Nevada. HAWS will not be liable for any damages caused by defective materials or poor workmanship, except for replacements, as provided above. Buyer agrees that Haws has made no other warranties either expressed or implied in addition to those above stated, except that of title with respect to any of the products or equipment sold hereunder and that HAWS shall not be liable for general, special, or consequential damages claimed to arise under the contract of sale. The drinking fountain manufactured by HAWS is warranted to function if installation and maintenance instructions provided are adhered to. The units also must be used for the purpose for which they were intended.

**NO OTHER WARRANTIES EXPRESSED OR IMPLIED ARE AUTHORIZED,
PROVIDED OR GIVEN BY HAWS.**

**SHOULD YOU EXPERIENCE DIFFICULTY WITH THE INSTALLATION OF THIS
MODEL, PLEASE CALL TECHNICAL SUPPORT:**

1-800-766-5612

FOR CUSTOMER SERVICE CALL:

1-800-640-4297

**(U.S.A. AND CANADA ONLY) MONDAY-THURSDAY: 6:00 A.M. – 4:00 P.M. PST
FRIDAY: 6:00 A.M – 1:00 P.M. PST**

RECOMMENDED TOOLS: Hack saw, pipe joint sealant, screwdriver, level, 12" adjustable wrench, 10" pipe wrench, 5/64" hex key wrench, 9/16", 1/2", 7/16" socket wrench or open end wrench.

LOCATION OF UNIT: The Model 3380/3380G Drinking Fountain is a wheelchair accessible drinking water facility. The height dimensions shown, meet current ADA requirements. When installing this unit, local, state or federal codes should be adhered to. If height other than shown is required, then dimensions must be adjusted accordingly.

SUPPLY LINE: The minimum recommended line size is 1/2"IPS with 30-90 psi (2-6 ATM) flowing pressure. Where sediment or mineral content is a problem, an inlet filter is recommended.

PLUMBING CONNECTIONS: Inlet is 1/4" IPS male fitting. Waste outlet is 1-1/2" O.D. tailpiece.

MAINTENANCE: Periodically clean the strainer. Refer to 5874SS Valve Manual for more information.

TROUBLESHOOTING

PROBLEM	REPAIR CHECKLIST
1. Insufficient bubbler flow.	<ul style="list-style-type: none">1a. Check that inlet screwdriver stop valve is in wide-open position.b. Verify minimum 30 psi flowing supply pressure.c. Clean strainer. See 5874SS Valve Manual.d. Adjust valve to increase flow. Use front adjust screw or see 5874SS Valve Manual.

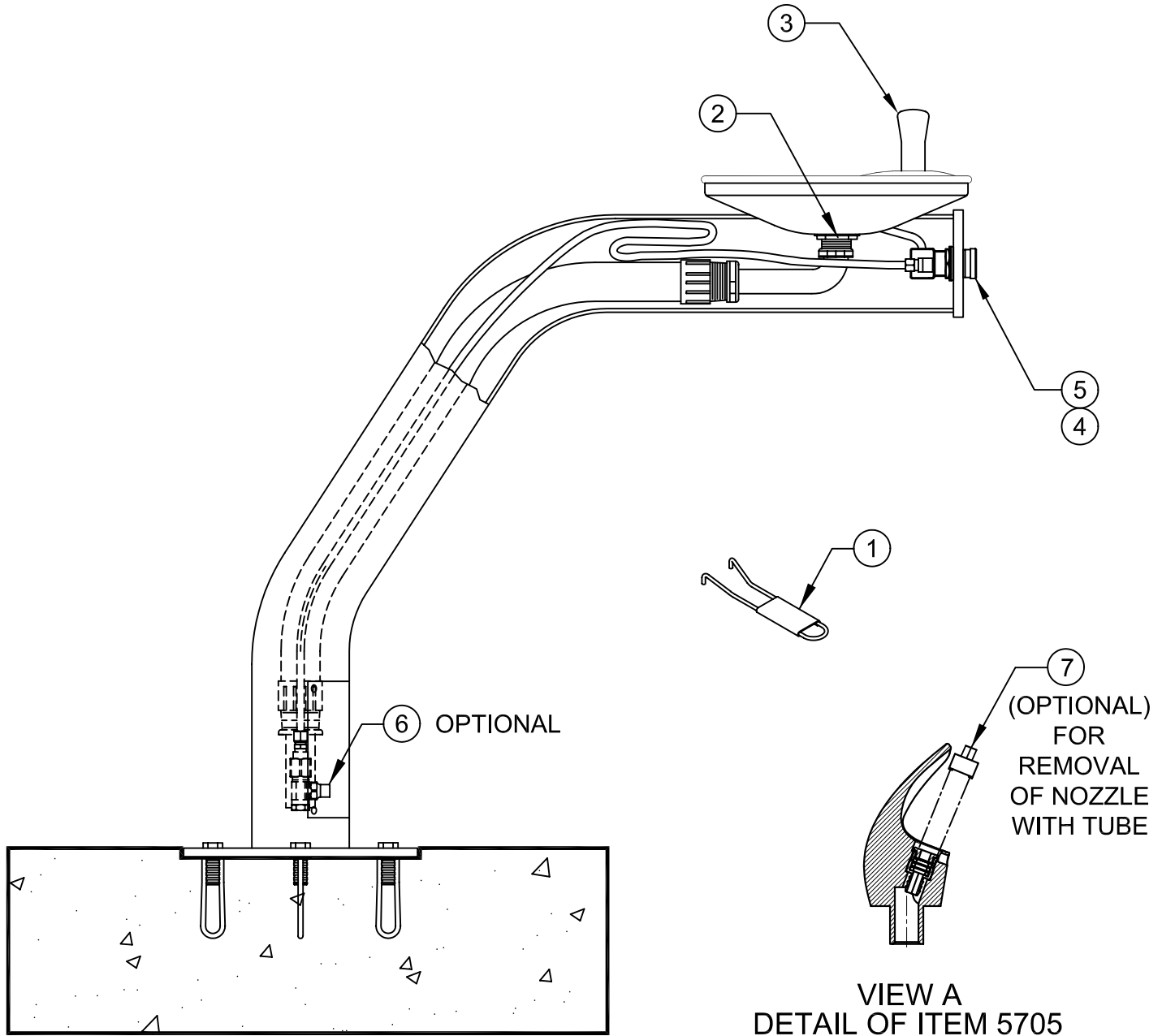
General Notes:

Before tightening nut and ferrule assembly, push tubing into fitting until it bottoms out to ensure correct engagement with O-Ring.

For more information about Haws products, see our website: www.hawSCO.com

ITEM	DESCRIPTION
1	SPANNER WRENCH P/N 0006983506
2	STRAINER 0005624292
3	BUBBLER HEAD 5705
4	PUSH BTN ASS'Y PBA7
5	VALVE 5874
6	STOP ASSY, 1/2" X 1/4" 6449
7	DRIVER, NOZZLE .25 HEX 0002082253

PARTS BREAKDOWN



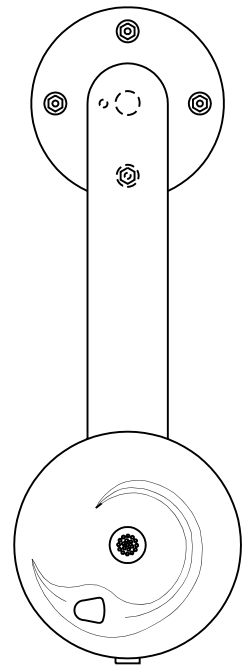
REV	DESCRIPTION	ECN	DATE	BY/APVD
16	UPDATED PER	4177	12/08/09	HM
REVISIONS				

WHEN ORDERING PARTS PLEASE SPECIFY YOUR MODEL NUMBER



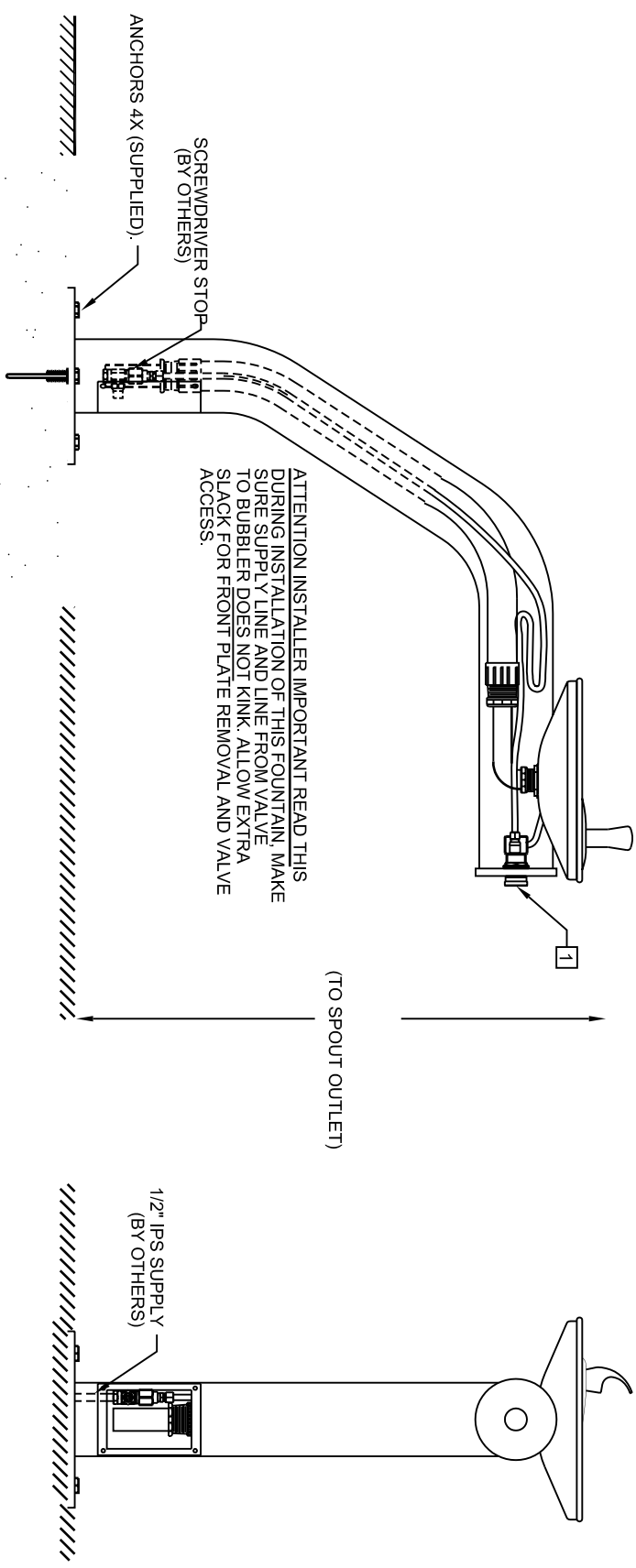
1455 KLEPPE LANE
SPARKS, NEVADA 89431
(775) 359-4712 FAX (775) 359-7424
E-MAIL: HAWS@HAWS.CO.COM
WEBSITE: WWW.HAWS.CO.COM

DRAWN BY: D. OLLOM	DATE: 11/25/95	CHECK BY:	APPVD BY:	SCALE: 1/4
TITLE: 3380/3380G			PART NUMBER: 0002077367	
DRAWING TYPE: PARTS BREAKDOWN			DRAWING NUMBER: 12816C00	REV: 16



NOTES:
 1. REFER TO 5874SS OPERATION AND MAINTENANCE MANUAL FOR PUSH BUTTON AND VALVE INSTALLATION/ MAINTENANCE INSTRUCTIONS.

ATTENTION INSTALLER IMPORTANT READ THIS DURING INSTALLATION OF THIS FOUNTAIN. MAKE SURE SUPPLY LINE AND LINE FROM VALVE TO BUBBLER DOES NOT KINK. ALLOW EXTRA SLACK FOR FRONT PLATE REMOVAL AND VALVE ACCESS.



(TO SPOUT OUTLET)

1/2" IPS SUPPLY (BY OTHERS)



Haws Corporation

1455 KLEPPE LANE
 SPARKS, NEVADA 89431
 (775) 359-4712 FAX (775) 359-7424
 E-MAIL: HAWS@HAWSCO.COM
 WEBSITE: WWW.HAWSCO.COM

EQ# NO.:	3380/3380G	MODEL(S):	3380/3380G	DATE:	07/27/92	REV:	H14	DATE:	07/27/92	REV:	H14
DESIGNED BY:	C. HAVES	APPROVED BY:	C. HAVES	INFO FAX DOC #:	23390/23390A	INSTALLATION/FABRICATION:		DATE:		REV:	
SIZE:	A	SHEET:	1	OF:	1	DATE:	06/20/97	REV:	1367.D	DATE:	10/25/90