



INSTALLATION, OPERATION & MAINTENANCE INSTRUCTIONS

1455 Kleppe Lane ♦ Sparks, NV 89431-6467 ♦ (775) 359-4712 ♦ Fax (775) 359-7424
E-mail: haws@hawsco.com ♦ website: www.hawsco.com

No. 2077365(6)

Model 3377FR/3377.6519FR Drinking Fountain

NOTE TO INSTALLER: Please leave this information with the Maintenance Department.

LIMITED WARRANTY

HAWS® warrants that all of its products are guaranteed against defective material or poor workmanship for a period of **one year from date of shipment**. HAWS liability under this warranty shall be discharged by furnishing without charge F.O.B. HAWS Factory any goods, or part thereof, which shall appear to the Company upon inspection to be of defective material or not of first class workmanship, provided that claim is made in writing to company within a reasonable period after receipt of the product. Where claims for defects are made, the defective part or parts shall be delivered to the Company, prepaid, for inspection. HAWS will not be liable for the cost of repairs, alterations or replacements, or for any expense connected therewith made by the owner or his agents, except upon written authority from HAWS, Sparks, Nevada. HAWS will not be liable for any damages caused by defective materials or poor workmanship, except for replacements, as provided above. Buyer agrees that Haws has made no other warranties either expressed or implied in addition to those above stated, except that of title with respect to any of the products or equipment sold hereunder and that HAWS shall not be liable for general, special, or consequential damages claimed to arise under the contract of sale. The drinking fountain manufactured by HAWS is warranted to function if installation and maintenance instructions provided are adhered to. The units also must be used for the purpose for which they were intended.

NO OTHER WARRANTIES EXPRESSED OR IMPLIED ARE AUTHORIZED, PROVIDED OR GIVEN BY HAWS.

SHOULD YOU EXPERIENCE DIFFICULTY WITH THE INSTALLATION OF THIS MODEL PLEASE CALL:

TECHNICAL SUPPORT: 1-800-766-5612

FOR CUSTOMER SERVICE: 1-888-640-4297

RECOMMENDED TOOLS: Hack saw, pipe joint sealant, screwdriver, level, 12" adjustable wrench, 10" pipe wrench, 3/32" and 5/32" hex key wrench, 9/16", 1/2", 7/16" socket wrench or open end wrench.

LOCATION OF UNIT: The Model 3377FR/3377.6519FR Drinking Fountain is a wheelchair accessible drinking water facility. The height dimensions shown, meet current ADA requirements. When installing this unit, local, state or federal codes should be adhered to. If height other than shown is required, then dimensions must be adjusted accordingly.

SUPPLY LINE: The minimum recommended line size is 1/2" IPS. Flowing pressure is 30-90 psi (2-6 ATM) for Models 3377FR. Flowing pressure for Model 3377.6519FR is 45-90 psi (3-6 ATM). Where sediment or mineral content is a problem, an inlet filter is recommended.

PLUMBING CONNECTIONS: Supply inlet is 1/2" IPS male. Waste outlet is 1-1/4" Slip Joint.

MAINTENANCE: Periodically clean the strainer. Refer to 6518FR/6519FR Operation and Maintenance Sheet for additional information.

TROUBLESHOOTING 3377FR

PROBLEM	REPAIR CHECKLIST
Insufficient bubbler flow.	1a. Check that inlet screwdriver stop valve is wide open (customer supplied). Turn counterclockwise. b. Verify minimum 30 psi flowing supply pressure. c. Adjust valve to increase flow. See 6518FR Valve Manual.

TROUBLESHOOTING 3377.6519FR

PROBLEM	REPAIR CHECKLIST
Insufficient bubbler flow.	1a. Check that inlet screwdriver stop valve is wide open (customer supplied). Turn counterclockwise. b. Verify minimum 45 psi flowing supply pressure. c. Adjust valve to increase flow. See 6519FR Valve Manual.

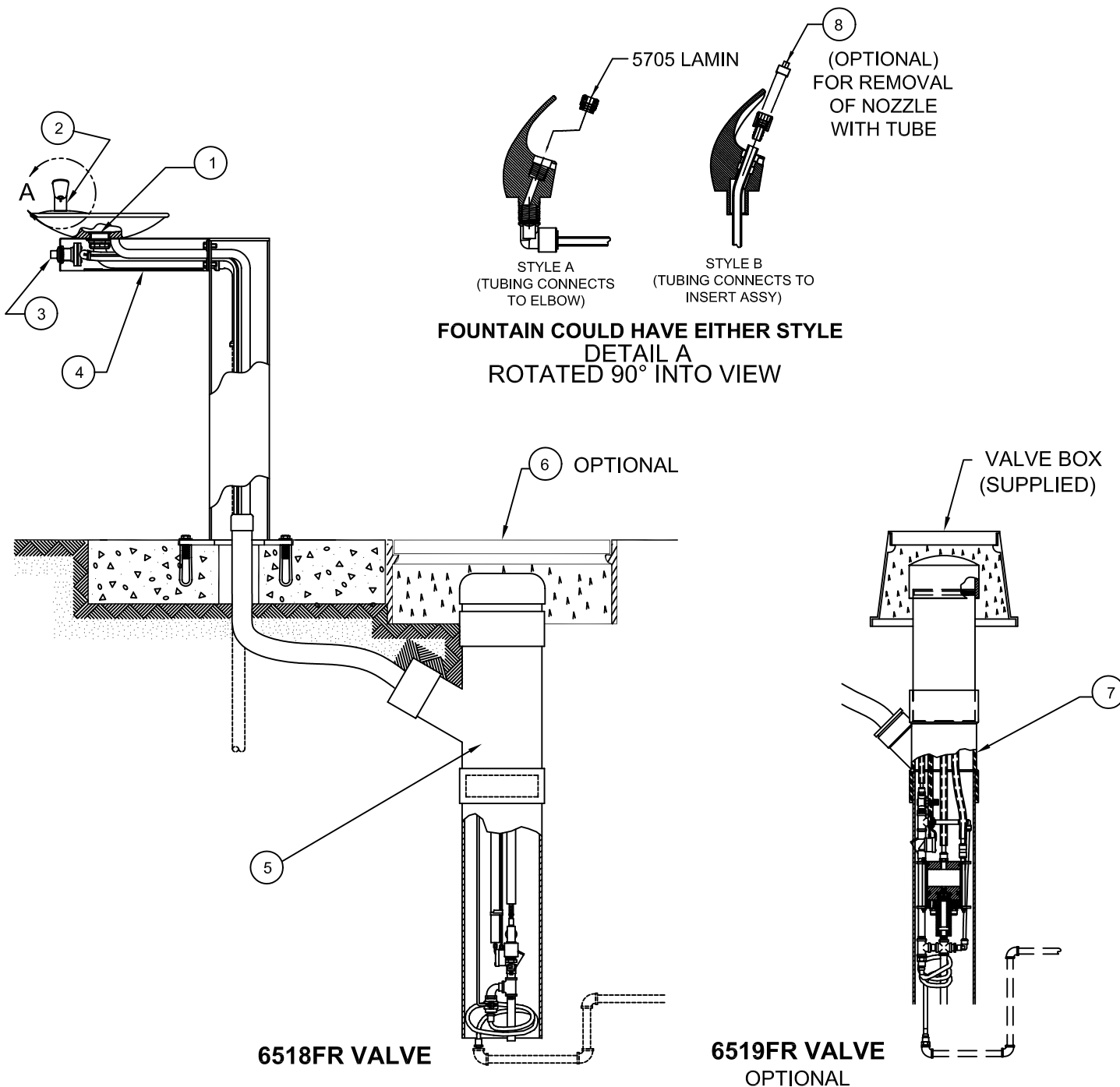
General Notes:

Before tightening nut and ferrule assembly, push tubing into fitting until it bottoms out to ensure correct engagement with O-Ring.

For more information about Haws products, see our website: www.hawsc.com


ITEM	DESCRIPTION
1	STRAINER ASSY 6463
2	BUBBLER HEAD 5705FR (STYLE A OR STYLE B)
3	PUSH BUTTON ASSY 5881PBA
4	BOTTOM PLATE PBM1000
5	VALVE ASSY. 6518FR
6	6625 VALVE BOX (OPTIONAL)
7	VALVE ASSY. 6519FR (OPTIONAL)
8	DRIVER, NOZZLE .25 HEX 0002082253

PARTS BREAKDOWN



REV	DESCRIPTION	ECN	DATE	BY/APVD
6	UPDATED PER	4177	12/08/09	HM
REVISIONS				

WHEN ORDERING PARTS PLEASE SPECIFY YOUR MODEL NUMBER



Haws
corporation

1455 KLEPPE LANE
SPARKS, NEVADA 89431
(775) 359-4712 FAX (775) 359-7424
E-MAIL: HAWS@HAWS.CO.COM
WEBSITE: WWW.HAWS.CO.COM

DRAWN BY: RTM	DATE: 10/20/98	CHECK BY:	APPRD BY:	SCALE: 1:7
TITLE: 3377FR/3377.6519FR			PART NUMBER: 0002077365	
DRAWING TYPE: PARTS BREAKDOWN			DRAWING NUMBER: 13361C00	REV: 6

