



**INSTALLATION, OPERATION  
&  
MAINTENANCE INSTRUCTIONS**

1455 Kleppe Lane ♦ Sparks, NV 89431-6467 ♦ (775) 359-4712 ♦ Fax (775) 359-7424  
E-mail: [haws@hawsco.com](mailto:haws@hawsco.com) ♦ website: [www.hawsco.com](http://www.hawsco.com)

No. 2077325(8)

**Model 3177FR  
Drinking Fountain**

**NOTE TO INSTALLER: Please leave this information with the Maintenance Department.**

**LIMITED WARRANTY**

HAWS® warrants that all of its products are guaranteed against defective material or poor workmanship for a period of **one year from date of shipment**. HAWS liability under this warranty shall be discharged by furnishing without charge F.O.B. HAWS Factory any goods, or part thereof, which shall appear to the Company upon inspection to be of defective material or not of first class workmanship, provided that claim is made in writing to company within a reasonable period after receipt of the product. Where claims for defects are made, the defective part or parts shall be delivered to the Company, prepaid, for inspection. HAWS will not be liable for the cost of repairs, alterations or replacements, or for any expense connected therewith made by the owner or his agents, except upon written authority from HAWS, Sparks, Nevada. HAWS will not be liable for any damages caused by defective materials or poor workmanship, except for replacements, as provided above. Buyer agrees that Haws has made no other warranties either expressed or implied in addition to those above stated, except that of title with respect to any of the products or equipment sold hereunder and that HAWS shall not be liable for general, special, or consequential damages claimed to arise under the contract of sale. The drinking fountain manufactured by HAWS is warranted to function if installation and maintenance instructions provided are adhered to. The units also must be used for the purpose for which they were intended.

**NO OTHER WARRANTIES EXPRESSED OR IMPLIED ARE AUTHORIZED, PROVIDED OR GIVEN BY HAWS.**

**SHOULD YOU EXPERIENCE DIFFICULTY WITH THE INSTALLATION OF THIS MODEL PLEASE CALL:**

**TECHNICAL SUPPORT: 1-800-766-5612**

**FOR CUSTOMER SERVICE: 1-888-640-4297**

**RECOMMENDED TOOLS:** Hack saw, pipe joint sealant, screwdriver, level, 12" adjustable wrench, 10" pipe wrench, 5/64" hex key wrench, 9/16", 1/2", 7/16" socket wrench or open end wrench.

**LOCATION OF UNIT:** The Model 3177FR Drinking Fountain is a wheelchair accessible drinking water facility. The height dimensions shown, meet current ADA requirements. When installing this unit, local, state or federal codes should be adhered to. If height other than shown is required, then dimensions must be adjusted accordingly.

**SUPPLY LINE:** The minimum recommended line size is 1/2"IPS. Flowing pressure is 30-90 psi (2-6 ATM) for Model 3177FR. Where sediment or mineral content is a problem, an inlet filter is recommended.

**PLUMBING CONNECTIONS:** Inlet at freeze valve is 1/2" IPS (male). Waste outlet is 1-1/2" O.D. tailpiece.

**MAINTENANCE:** Periodically clean the strainer. Refer to 6518FR/6519FR Operation and Maintenance Sheet for additional information.

### TROUBLESHOOTING 3177FR with 6518FR

PROBLEM	REPAIR CHECKLIST
1. Insufficient bubbler flow.	1a. Check that inlet screwdriver stop valve is wide open. (Customer supplied). Turn counterclockwise. b. Verify minimum 30 PSI flowing supply pressure. c. Clean inlet strainer. d. Adjust valve to increase flow. See 6518FR Valve Manual.

### TROUBLESHOOTING 3177FR with optional 6519FR

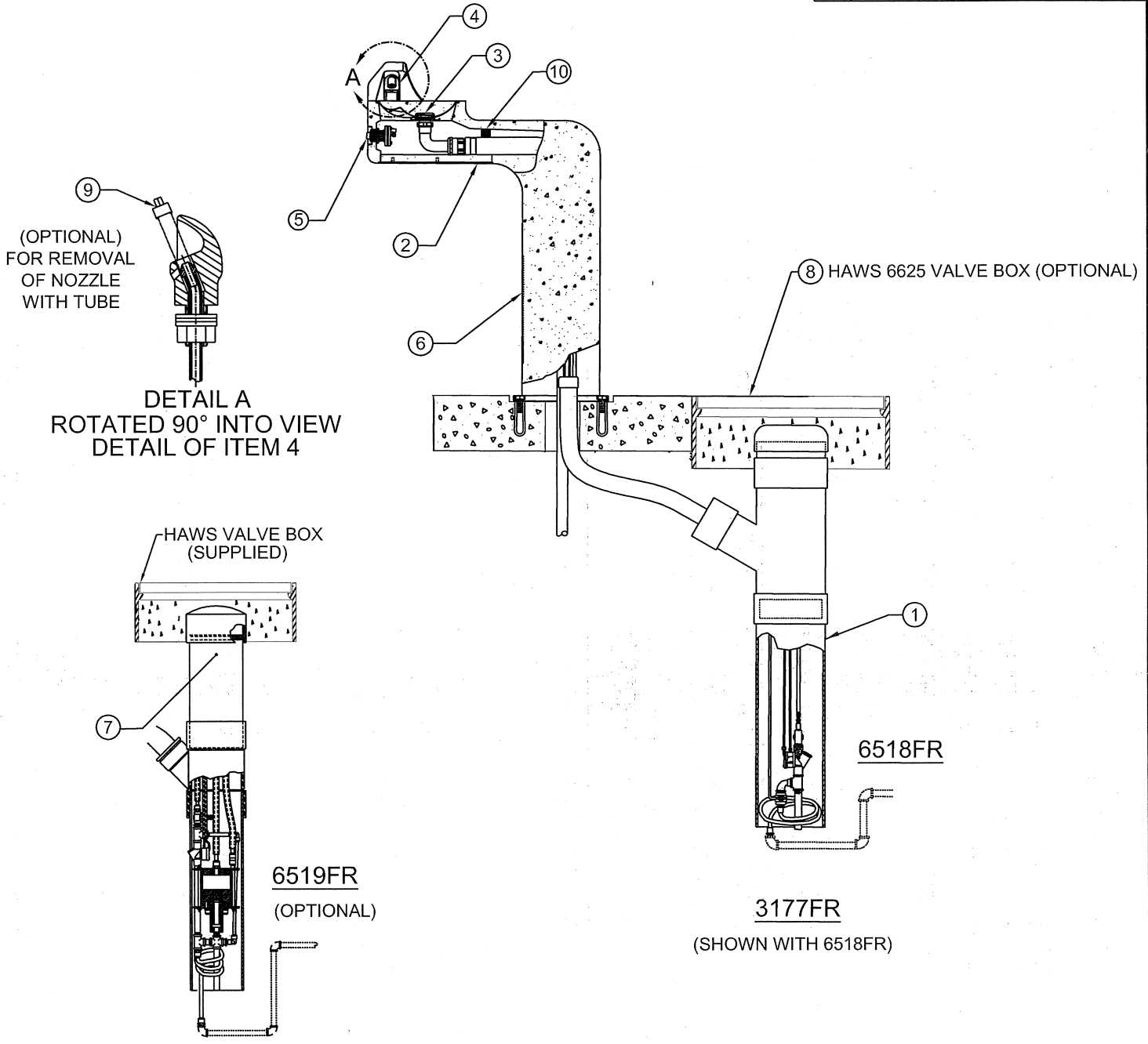
PROBLEM	REPAIR CHECKLIST
1. Insufficient bubbler flow.	1a. Check that inlet screwdriver stop valve is wide open. (Customer supplied). Turn counterclockwise. b. Verify minimum 45 PSI flowing supply pressure. c. Clean inlet strainer. d. Adjust valve to increase flow. See 6519FR Valve Manual.


**General Notes:**

Before tightening nut and ferrule assembly, push tubing into fitting until it bottoms out to ensure correct engagement with O-Ring.

For more information about Haws products, see our website: [www.hawscos.com](http://www.hawscos.com)

ITEM	DESCRIPTION
1	VALVE 6518FR
2	BOTTOM PLATE PBM3177
3	STRAINER ASSY 6461
4	BUBBLER HEAD 5703M
5	PUSH BUTTON ASSY 5881PBA
6	ACCESS PLATE PA3177
7	VALVE 6519FR (OPTIONAL)
8	HAWS 6625 VALVE BOX (OPTIONAL)
9	DRIVER. NOZZLE .25 HEX 0002082253
10	SPACER 0005365395



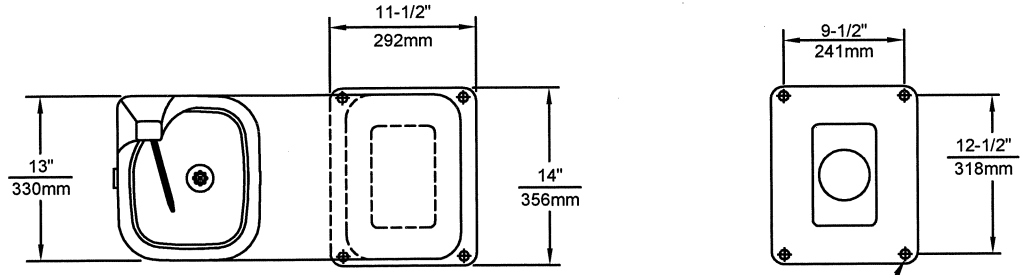


**Haws**®

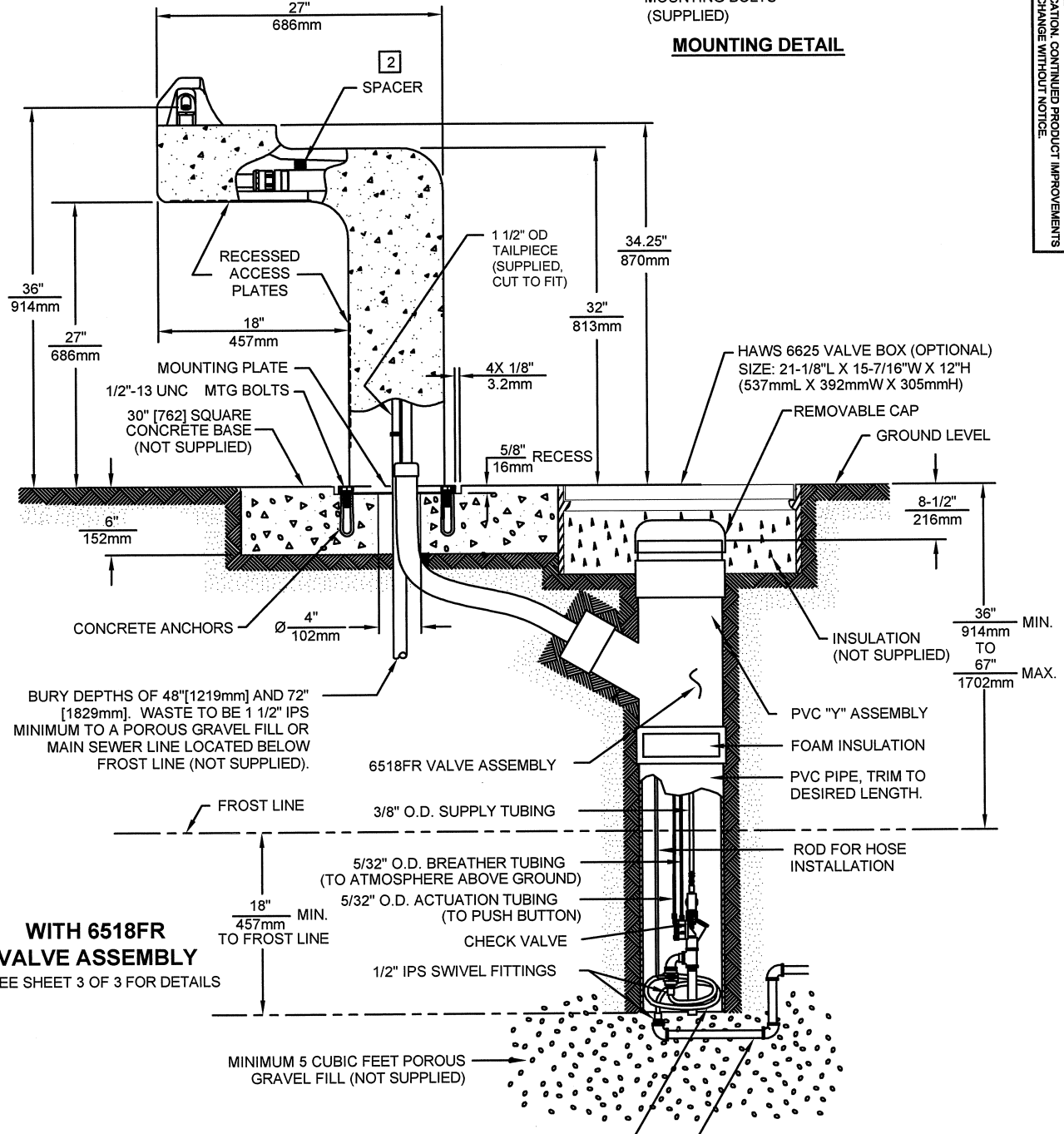
1455 KLEPPE LANE  
 SPARKS, NEVADA 89431  
 (775) 359-4712 FAX (755) 359-7424  
 E-MAIL: HAWS@HAWS.CO.COM  
 WEBSITE: WWW.HAWS.CO.COM

ECN NO. REVISED PER BY	DATE	CHKD	MODEL(S)
ECN: 4584	11/25/95		3177FR
DRAWN	DATE	CHKD	PART NUMBER
D. OLLOM			0002077325
APPROVED	DATE		DRAWING NO.
			12811C00
			REV
			8

WHEN ORDERING PARTS PLEASE SPECIFY MODEL NUMBER.



4X 1/2-13 UNC MOUNTING BOLTS (SUPPLIED)  
**MOUNTING DETAIL**



BURY DEPTHS OF 48" [1219mm] AND 72" [1829mm]. WASTE TO BE 1 1/2" IPS MINIMUM TO A POROUS GRAVEL FILL OR MAIN SEWER LINE LOCATED BELOW FROST LINE (NOT SUPPLIED).

**WITH 6518FR VALVE ASSEMBLY**  
SEE SHEET 3 OF 3 FOR DETAILS

- NOTES:**
- SEE SHEET 2 OF 3 FOR DETAILS OF UNIT CONFIGURED WITH 6519FR FREEZE VALVE.
  - SPACER IS GLUED TO WALL OF PEDESTAL, BUT MAY BE KNOCKED OFF DURING WASTE ARM ASSEMBLY REMOVAL/REPAIR. ENSURE THAT SPACER IS REPLACED TO KEEP HOSE AND WASTE ARM ALIGNED PROPERLY.

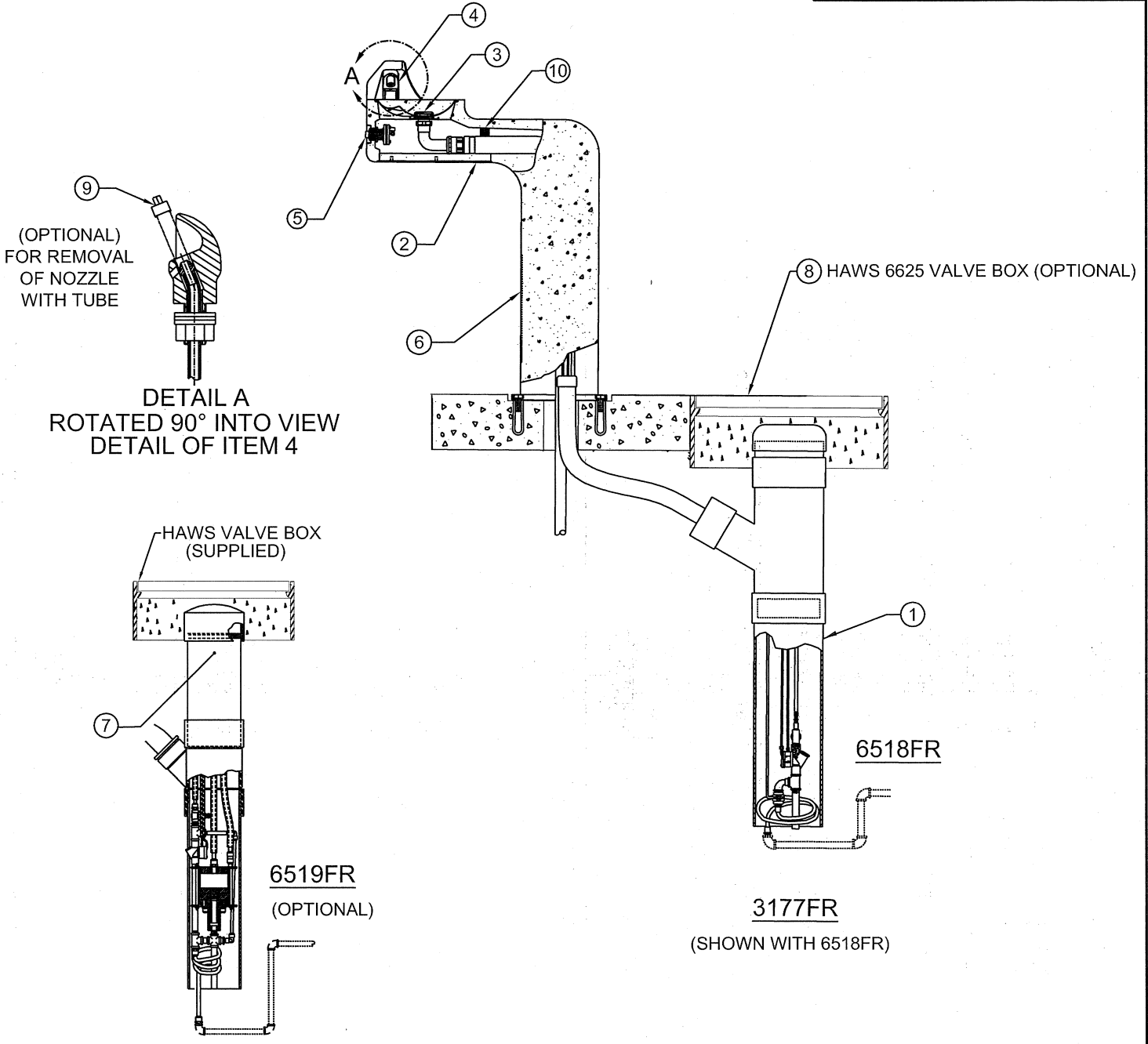
F.D.A. AND NSF APPROVED HIGH PRESSURE HOSE.  
1/2" IPS SUPPLY FROM SHUTOFF (NOT SUPPLIED).




1455 KLEPPE LANE  
SPARKS, NEVADA 89431  
(775) 359-4712 FAX (755) 359-7424  
E-MAIL: HAWS@HAWSCCO.COM  
WEBSITE: WWW.HAWSCCO.COM

ECN NO. REVISED PERBY:	MODEL(S)	3177FR
DRAWN: ENK:4S24	DATE: CHD:	
APPROVED: HAW	DATE: CHD:	
SCALE: 1/8"	DRAWING TYPE: INSTALLATION	SIZE: A
SHEET 1 OF 3		
PART NUMBER: 0002077325.D	DRAWING NO. 12205A00	REV. 8

ITEM	DESCRIPTION
1	VALVE 6518FR
2	BOTTOM PLATE PBM3177
3	STRAINER ASSY 6461
4	BUBBLER HEAD 5703M
5	PUSH BUTTON ASSY 5881PBA
6	ACCESS PLATE PA3177
7	VALVE 6519FR (OPTIONAL)
8	HAWS 6625 VALVE BOX (OPTIONAL)
9	DRIVER. NOZZLE .25 HEX 0002082253
10	SPACER 0005365395





**Haws**®

1455 KLEPPE LANE  
SPARKS, NEVADA 89431  
(775) 359-4712 FAX (775) 359-7424  
E-MAIL: HAWS@HAWSO.COM  
WEBSITE: WWW.HAWSO.COM

ECN NO. 4584	REVISED PER BY	DATE	CHKD	VWV
DATE	DATE	DATE	DATE	DATE
APPROVED	DATE	DATE	DATE	DATE

WHEN ORDERING PARTS PLEASE SPECIFY MODEL NUMBER.

MODEL(S)

3177FR

PART NUMBER

0002077325

DRAWING NO. 12811C00

REV 8

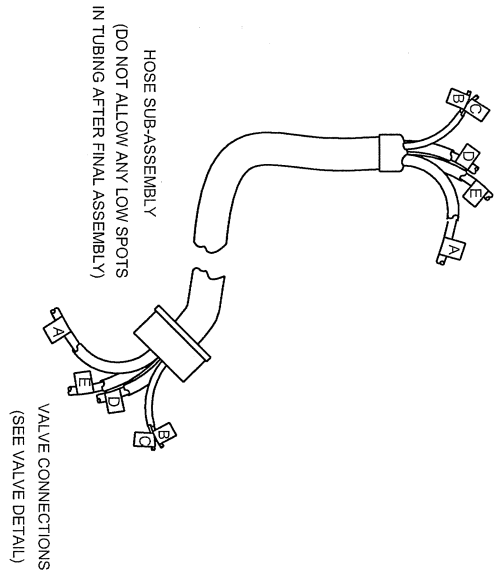
SCALE: 1/12

DRAWING TYPE: PARTS BREAKDOWN

SIZE: A SHEET 1 OF 1

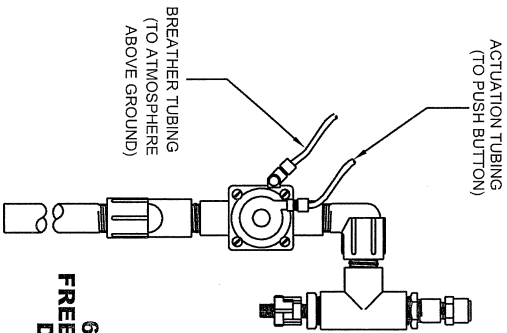




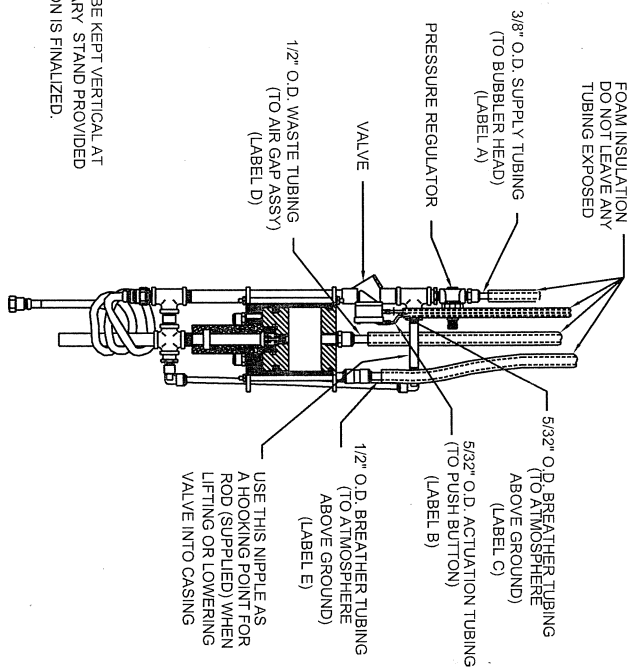


**FOUNTAIN CONNECTIONS**  
(FOLLOW INSTRUCTIONS ON LABELS)

CAUTION: VALVE ASSEMBLY MUST BE KEPT VERTICAL AT ALL TIMES. USE TEMPORARY STAND PROVIDED UNTIL VALVE INSTALLATION IS FINALIZED.



**6518FR  
FREEZE VALVE  
DETAIL**



**6519FR FREEZE VALVE DETAIL**  
(3 WAY DIVIDER W/TUBING AT  
BASE NOT SHOWN FOR CLARITY)

		1455 KLEPPE LANE SPARKS, NEVADA 89431 (775) 359-4712 FAX (755) 359-7424 E-MAIL: HAWS@HAWSCO.COM WEBSITE: WWW.HAWSCO.COM	
EGN NO. REVISED PER BY:	MODEL(S)	3177FR	
DRAWN: ECON-4584 VAWK	DATE: CHXCD	SCALE: 1/2" = 1"	
HW: 4/22/10	DATE:	DRAWING TYPE: INSTALLATION	
APPROVED: [Signature]	DATE:	SIZE: A	SHEET: 3 OF 3
PART NUMBER: 000207325.D		DRAWING NO: 12205A00	
REV: 8			