



INSTALLATION, OPERATION & MAINTENANCE INSTRUCTION

1455 Kleppe Lane ♦ Sparks, NV 89431-6467 ♦ (775) 359-4712 ♦ Fax (775) 359-7424
E-mail: haws@hawsco.com ♦ website: www.hawsco.com

No. 2077073(16)

Model 3150FR Drinking Fountain

NOTE TO INSTALLER: Please leave this information with the Maintenance Department.

LIMITED WARRANTY

HAWS warrants that this specific product is guaranteed against defective material or poor workmanship for a period of **one year from date of shipment**. HAWS liability under this warranty shall be discharged by furnishing without charge F.O.B. HAWS Factory any goods, or part thereof, which shall appear to the Company upon inspection to be of defective material or not of first class workmanship, provided that claim is made in writing to Haws within a reasonable period after receipt of the product. Where claims for defects are made, the defective part or parts shall be delivered to the Company, prepaid, for inspection. HAWS will not be liable for the cost of repairs, alterations or replacements, or for any expense connected therewith made by the owner or his agents, except upon written authority from HAWS, Sparks, Nevada. HAWS will not be liable for any damages caused by defective materials or poor workmanship, except for replacements, as provided above. Buyer agrees that HAWS shall not be liable for general, special, or consequential damages claimed to arise under the contract of sale. The drinking fountain manufactured by HAWS is warranted to function if installation and maintenance instructions provided are adhered to. The units also must be used for the purpose for which they were intended.

**NO OTHER WARRANTIES EXPRESSED OR IMPLIED ARE AUTHORIZED,
PROVIDED OR GIVEN BY HAWS.**

**SHOULD YOU EXPERIENCE DIFFICULTY WITH THE INSTALLATION OF THIS
MODEL PLEASE CALL:**

TECHNICAL SUPPORT: 1-800-766-5612

FOR CUSTOMER SERVICE: 1-888-640-4297

RECOMMENDED TOOLS: Hack saw, pipe joint sealant, screwdriver, level, 12" adjustable wrench, 10" pipe wrench, 5/64" hex key wrench, 9/16", 1/2", 7/16" socket wrench or open end wrench.

LOCATION OF UNIT: The Model 3150FR Drinking Fountain is a wheelchair accessible drinking water facility. The height dimensions shown, meet current ADA requirements. When installing this unit, local, state or federal codes should be adhered to. If height other than shown is required, then dimensions must be adjusted accordingly.

SUPPLY LINE: The minimum recommended line size is 1/2"IPS with 30-90 psi (2-6 ATM) flowing pressure. Where sediment or mineral content is a problem, an inlet filter is recommended.

PLUMBING CONNECTIONS: Waste outlet is female 1-1/2" Slip PVC.

MAINTENANCE: Periodically clean the strainer. Refer to 6518.2FR Valve Operation and Maintenance Sheet for additional information.

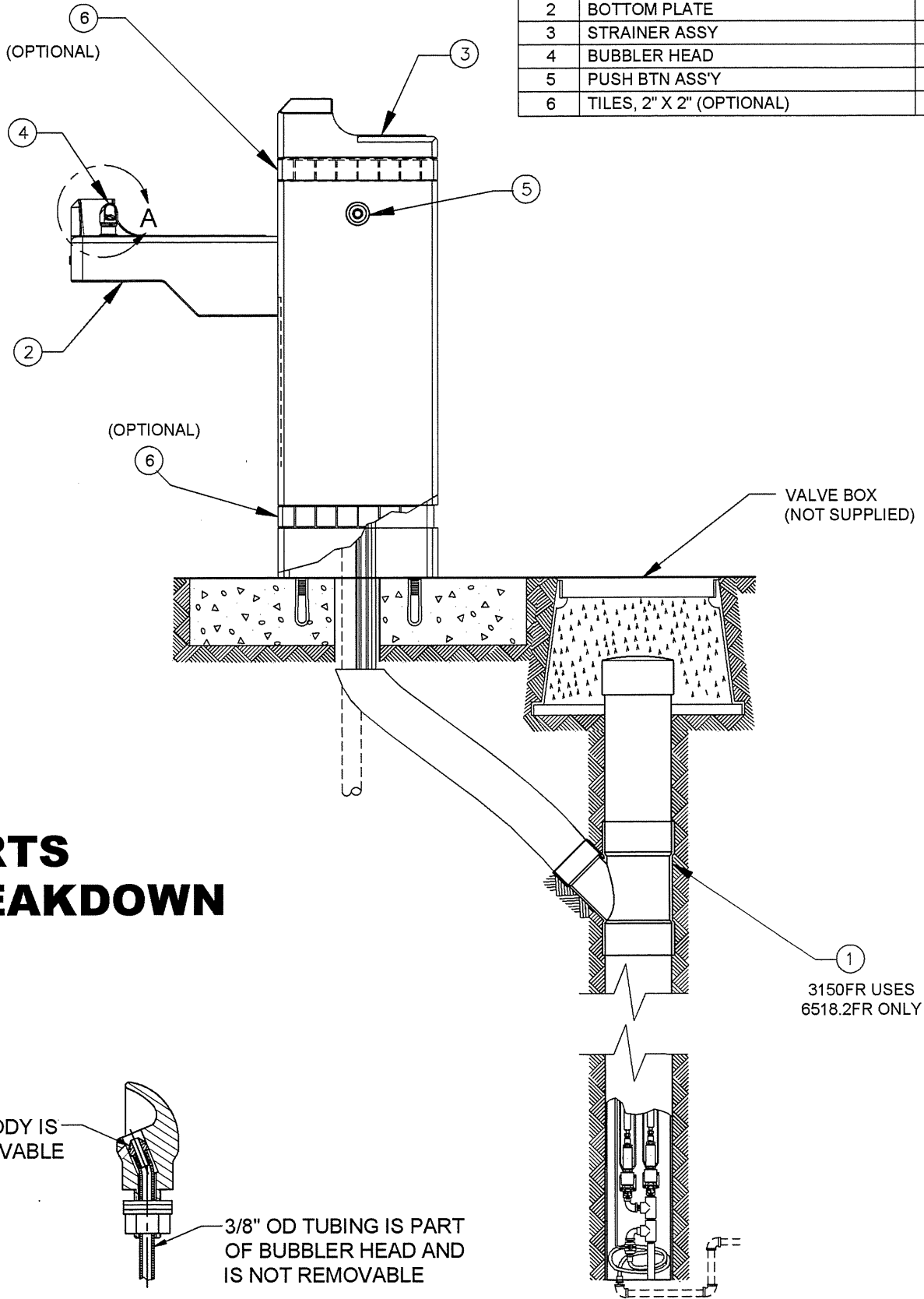
TROUBLESHOOTING 3150FR with 6518.2FR	
PROBLEM	REPAIR CHECKLIST
1. Insufficient bubbler flow.	1a. Check that inlet screwdriver stop valve is wide open. (Customer supplied). Turn counterclockwise. b. Verify minimum 30psi flowing supply pressure. c. Adjust valve to increase flow. See 6518.2FR Valve Manual.

General Notes:

Before tightening nut and ferrule assembly, push tubing into fitting until it bottoms out to ensure correct engagement with O-Ring.

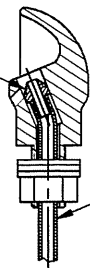
For more information about Haws products, see our website: www.hawesco.com

ITEM	DESCRIPTION	PART NO.
1	VALVE	6518.2FR
2	BOTTOM PLATE	PBM1047
3	STRAINER ASSY	6466
4	BUBBLER HEAD	5703M
5	PUSH BTN ASSY	5881PBA
6	TILES, 2" X 2" (OPTIONAL)	-



PARTS BREAKDOWN

NOZZLE BODY IS NOT REMOVABLE

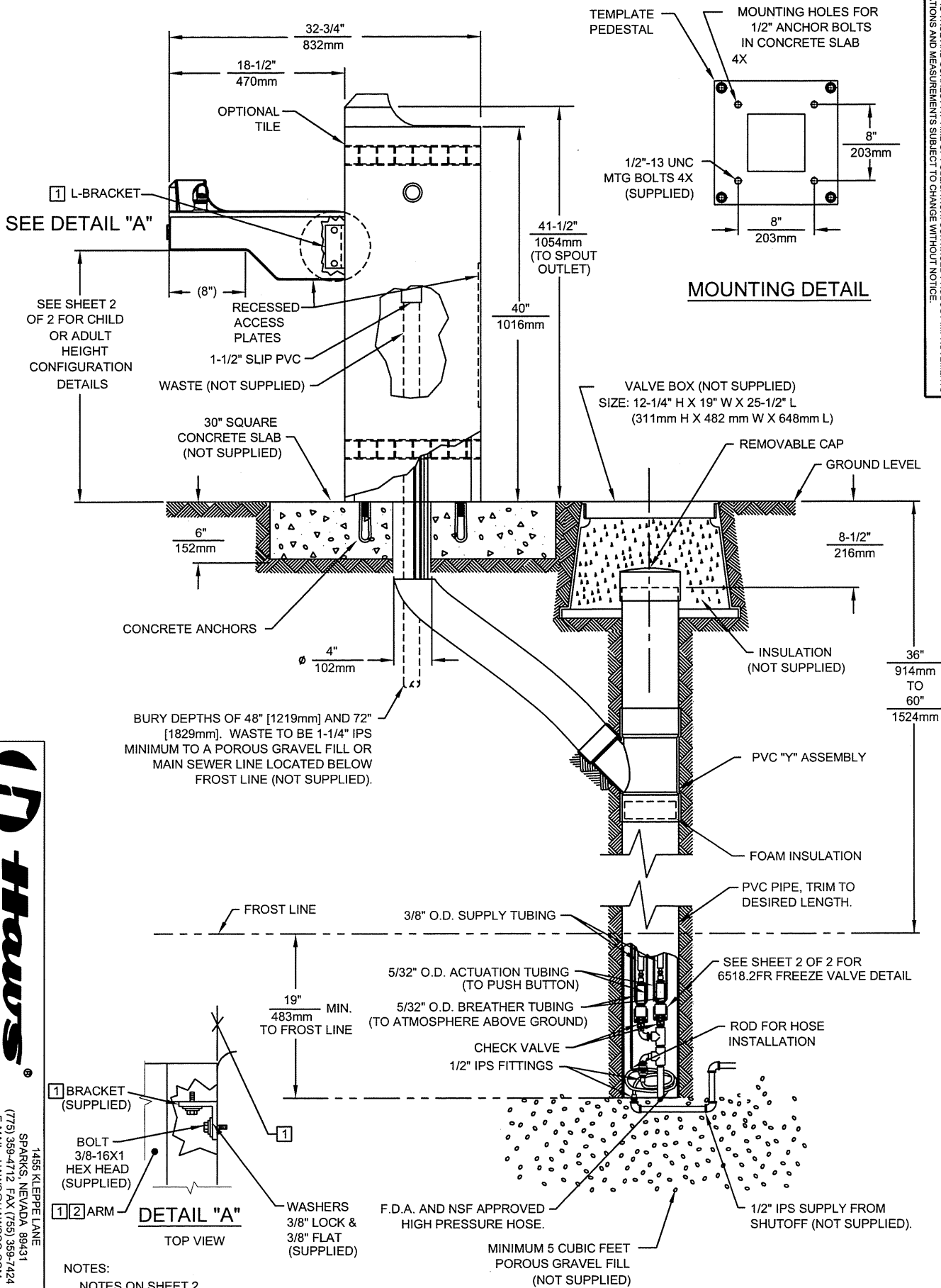


3/8" OD TUBING IS PART OF BUBBLER HEAD AND IS NOT REMOVABLE

DETAIL A
ROTATED 90° INTO VIEW
DETAIL OF ITEM 4

		1455 KLEPPE LANE SPARKS, NEVADA 89431 (775) 359-4712 FAX (775) 359-7424 E-MAIL: HAWS@HAWS.CO.COM WEBSITE: WWW.HAWS.CO.COM	
		ECN NO. REVISED PER BY ECN: 4725 HM	MODEL(S) 3150FR
DRAWN D. OLLOM	DATE 11/25/85	CHKD [Signature]	DRAWING NO. 12809C00
APPROVED [Signature]	DATE 11/25/85	SCALE: 1:6	SHEET 1 OF 1

WHEN ORDERING PARTS PLEASE SPECIFY MODEL NUMBER.



©2012 Haws Corporation - All Rights Reserved. HAWSS® and other trademarks used in these materials are the exclusive property of Haws Corporation.

Haws	
1455 KLEPPE LANE SPARKS, NEVADA 89431 (775) 359-4712 FAX (755) 359-7424 E-MAIL: HAWSS@HAWSCO.COM WEBSITE: WWW.HAWSCO.COM	EGN NO. REVISED PER BY: HM DRAWN BY: HM APPROVED BY: HM DATE: 12/12/12 SCALE: 1:13 DRAWING TYPE: INSTALLATION SIZE: A SHEET 1 OF 2
MODEL(S) 3150FR	PART NUMBER: 000207/073.D DRAWING NO.: 10384C00 REV: 116

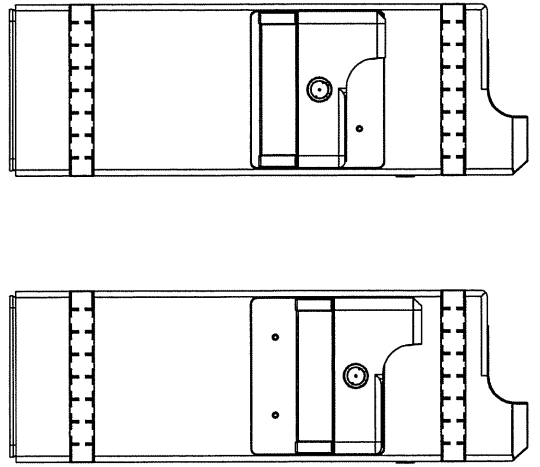


FIGURE 1

NOTES:

1 PROCEDURE FOR ASSEMBLING ARM TO PEDESTAL:

IMPORTANT: L-BRACKETS ARE PRE-ASSEMBLED AND **MUST NOT BE LOOSENED FOR ANY REASON.**

STEP 1: ATTACH ENTIRE ARM ASSEMBLY TO MOUNTING PLATE ON PEDESTAL USING 3/8" - 16 X 1" BOLTS AND WASHERS (SUPPLIED) AND TIGHTEN SECURELY IN PLACE.

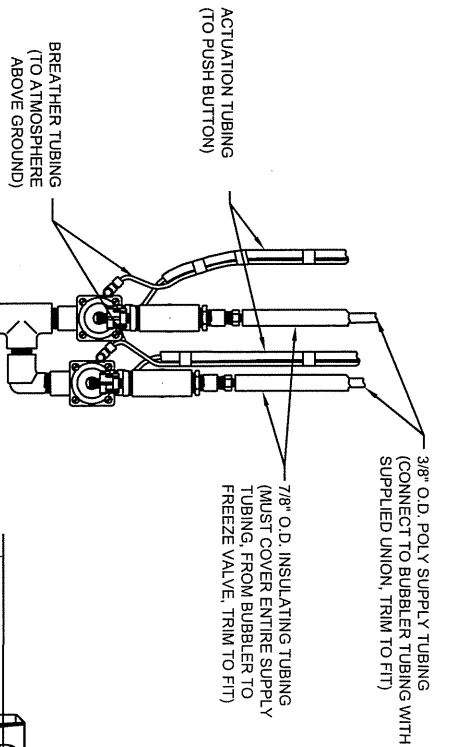
STEP 2: (OPTIONAL) APPLY CAULKING AS NEEDED TO FILL ANY GAP PRESENT BETWEEN ARM AND PEDESTAL.

2 SIDE ARM IS ADJUSTABLE TO ACCOMMODATE EITHER CHILD OR ADULT HEIGHTS (SEE "AVAILABLE ARM HEIGHTS" CHART).

3 BASED ON DESIRED HEIGHT (CHILD OR ADULT) OF ARM, ORIENT BACKPLATE AS SHOWN IN FIGURE 1 AND USE APPROPRIATE SHADED HOLES.

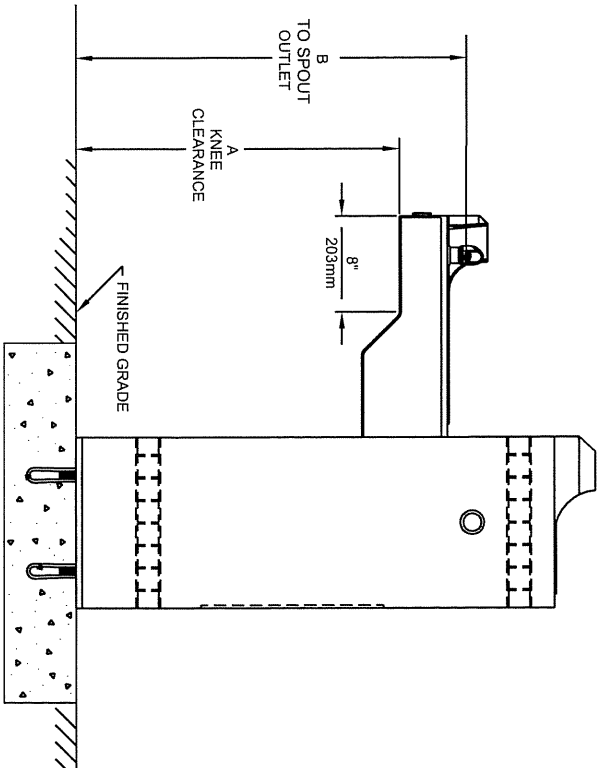
4 WASTE ASSEMBLY IS SUPPLIED DISASSEMBLED. THE SHORTER OF THE TWO PIECES IS FOR THE ARM DRAIN, AND MUST BE INSTALLED SO THAT ANY BEND IN THE FLEX TUBING WILL ALLOW WATER TO DRAIN COMPLETELY. THE LONGER IS FOR THE PEDESTAL DRAIN AND IS SUPPLIED AT THE LENGTH REQUIRED TO ASSEMBLE THE UNIT WITH THE ARM AT CHILD HEIGHT. IN ORDER TO ASSEMBLE AT ADULT HEIGHT, IT MUST BE CUT FROM THE END OF THE FLEX TUBING PRIOR TO ASSEMBLY. IT IS TO BE GLOUED TO THE FLEX TUBING WASTE ARMS USING PVC PIPE CEMENT.

5 INSULATION FOAM TUBING MUST NOT BE REMOVED.



TO BUBBLER HEADS
INSULATION FOAM TUBING
NOT SHOWN FOR CLARITY.

**CHILD OR ADULT
HEIGHT CONFIGURATION
DETAILS**



AVAILABLE ARM HEIGHTS	
DIM	ADULT ADA
A	27" / 686mm
B	32-3/4" / 832mm
	CHILD ADA
	24" / 610mm
	29-3/4" / 756mm

Haws

1455 KLEPPLE LANE
SPARKS, NEVADA 89431
(775) 359-4712 FAX (775) 359-7424
E-MAIL: HAWS@HAWSCO.COM
WEBSITE: WWW.HAWSCO.COM

ECN NO. REVISED PER BY: MODEL(S)
DRAWN: ECN: 4725 HM DATE: 08/09/11
C.L. APPROVED: DATE: 08/09/11
SCALE: 1:13 DRAWING TYPE: INSTALLATION
SIZE: A 1 SHEET 2 OF 2

3150FR

PART NUMBER: 000207073.D
DRAWING NO.: 10384C00
REV: 16