



INSTALLATION, OPERATION & MAINTENANCE INSTRUCTIONS

1455 Kleppe Lane ♦ Sparks, NV 89431-6467 ♦ (775) 359-4712 ♦ Fax (775) 359-7424
E-mail: haws@hawsco.com ♦ website: www.hawsco.com

No. 2080232(10)

Model 1107L Drinking Fountain

NOTE TO INSTALLER: Please leave this information with the Maintenance Department.

LIMITED WARRANTY

HAWS® warrants that all of its products are guaranteed against defective material or poor workmanship for a period of **one year from date of shipment**. HAWS liability under this warranty shall be discharged by furnishing without charge F.O.B. HAWS Factory any goods, or part thereof, which shall appear to the Company upon inspection to be of defective material or not of first class workmanship, provided that claim is made in writing to company within a reasonable period after receipt of the product. Where claims for defects are made, the defective part or parts shall be delivered to the Company, prepaid, for inspection. HAWS will not be liable for the cost of repairs, alterations or replacements, or for any expense connected therewith made by the owner or his agents, except upon written authority from HAWS, Sparks, Nevada. HAWS will not be liable for any damages caused by defective materials or poor workmanship, except for replacements, as provided above. Buyer agrees that Haws has made no other warranties either expressed or implied in addition to those above stated, except that of title with respect to any of the products or equipment sold hereunder and that HAWS shall not be liable for general, special, or consequential damages claimed to arise under the contract of sale. The drinking fountain manufactured by HAWS is warranted to function if installation and maintenance instructions provided are adhered to. The units also must be used for the purpose for which they were intended.

NO OTHER WARRANTIES EXPRESSED OR IMPLIED ARE AUTHORIZED, PROVIDED OR GIVEN BY HAWS.

SHOULD YOU EXPERIENCE DIFFICULTY WITH THE INSTALLATION OF THIS MODEL PLEASE CALL:

TECHNICAL SUPPORT: 1-800-766-5612

FOR CUSTOMER SERVICE: 1-888-640-4297

RECOMMENDED TOOLS: Hack saw, pipe joint sealant, screwdriver, level, 12" adjustable wrench, 10" pipe wrench, 5/64" hex key wrench, 9/16", 1/2", 7/16" socket wrench or open end wrench.

LOCATION OF UNIT: The Model 1107L Drinking Fountain is a wheelchair accessible drinking water facility. The height dimensions shown, meet current ADA requirements. When installing this unit, local, state or federal codes should be adhered to. If height other than shown is required, then dimensions must be adjusted accordingly.

SUPPLY LINE: The minimum recommended line size is 1/2"IPS with 30-90 psi (2-6 ATM) pressure. Where sediment or mineral content is a problem, an inlet filter is recommended.

PLUMBING CONNECTIONS: Inlet is 3/8"O.D. push-in type fitting. Waste outlet is female 1-1/4" IPS.

MAINTENANCE: Periodically clean the strainer. Refer to 5874SS Valve Manual for more information.

TROUBLESHOOTING

PROBLEM	REPAIR CHECKLIST
1. Insufficient bubbler flow.	1a. Check that inlet screwdriver stop valve is wide open. (Customer supplied). Turn counterclockwise. b. Verify minimum 30 psi flowing supply pressure. c. Clean strainer. See 5874SS Valve Manual. d. Adjust valve to increase flow. Use front adjust screw or see 5874SS Valve Manual.

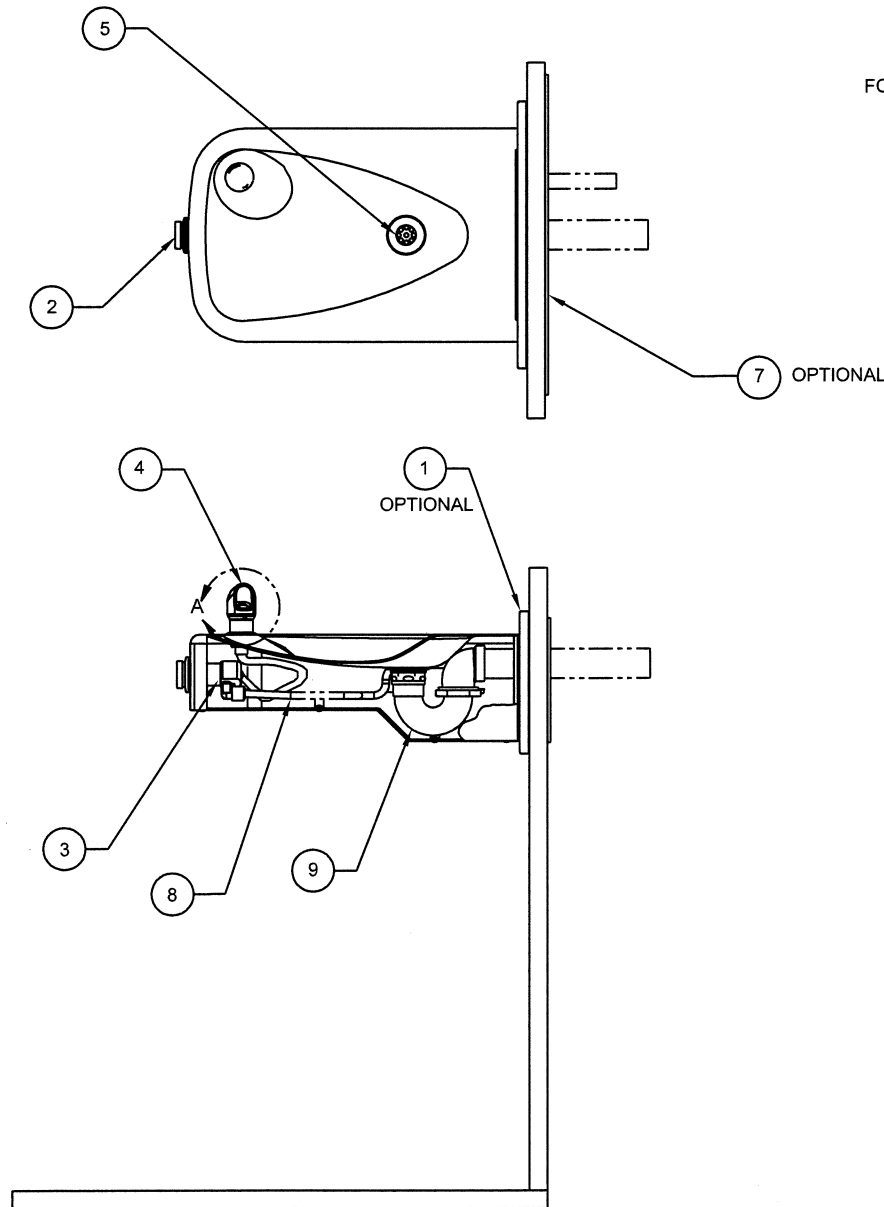
GENERAL NOTES:

For all plastic push-in type fitting connections; push tubing into fitting until it bottoms out to ensure a watertight connection. To remove, depress the collet and pull tubing out. Only connect NSF-61 copper or plastic tubing to these push-in type fittings.

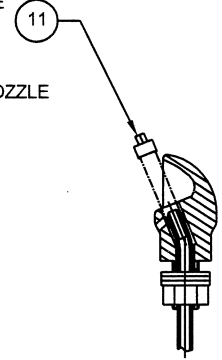
For more information about Haws products, see our website: www.hawsco.com

PARTS BREAKDOWN


	ITEM	DESCRIPTION
OPTIONAL	1	BACK PANEL BP7
	2	BUTTON PBA6
	3	VALVE 5874SS
	4	BUBBLER HEAD 5703M
	5	STRAINER ASSY 6462
	6	SPANNER WRENCH P/N 0006983506
OPTIONAL	7	MOUNTING PLATE 6700
	8	BOTTOM PLATE PBM1107
	9	TRAP 0005982900
OPTIONAL	10	KEY HEX F/PINNED HEX 0002981127
	11	DRIVER, NOZZLE .25 HEX 0002082253



DRIVER, NOZZLE
.25 HEX
PN 0002082253
(OPTIONAL)
FOR REMOVAL OF NOZZLE
WITH TUBE



VIEW A
ROTATED 90° CW
DETAIL OF ITEM 4



Haws

1455 KLEPPE LANE
SPARKS, NEVADA 89431
(775) 359-4712 FAX (775) 359-7424
E-MAIL: HAWS@HAWS.CO.COM
WEBSITE: WWW.HAWS.CO.COM

ECN NO. REVISED PER BY:	ECN: 4803 HM	MODEL(S)	PART NUMBER:
DRAWN:	DATE:	CHKD:	0002080232
C. FENNER	10/25/06	KE	DRAWING NO. REV
APPROVED:	DATE:		15266A00 10
SCALE: 1:1		DRAWING TYPE: PARTS BREAKDOWN	SIZE: A SHEET 1 OF 1

WHEN ORDERING PARTS PLEASE SPECIFY YOUR MODEL NUMBER

NOTES:

1. HOLD ROUGH-IN DIMENSIONS $\pm 1/4"$ (6.4mm)
2. WHEN INSTALLING THIS UNIT, LOCAL, STATE OR FEDERAL CODES SHOULD BE ADHERED TO. FOR INSTALLATION HEIGHTS OTHER THAN SHOWN, DIMENSIONS MARKED (*) MUST BE ADJUSTED ACCORDINGLY.

3. REFER TO 5874/ARR5874 OPERATION AND MAINTENANCE MANUAL FOR PUSH BUTTON AND VALVE INSTALLATION AND MAINTENANCE INSTRUCTIONS.

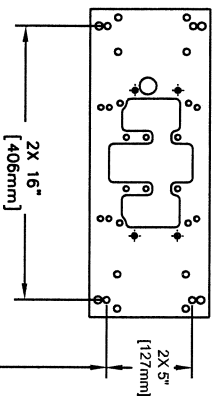
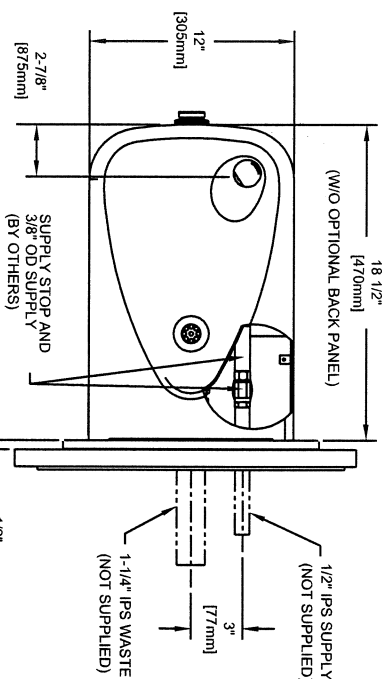
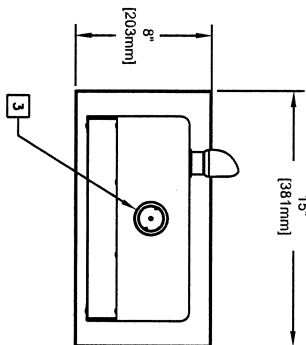
4. ROUGH IN DIMENSIONS FOR FOUNTAIN HEIGHTS:

CHILD WHEELCHAIR HEIGHT: SEE SHIT 2 FIG 1
 WASTE: 26-1/4" (667mm)
 SUPPLY: 26-1/8" (664mm)
 MOUNTING HOLE: 24-13/16" (630mm)
 MOUNTING PLATE: 23-3/16" (589mm)
 FOUNTAIN: 24" (610mm)
 BUBBLER: 29-7/8" (756mm)

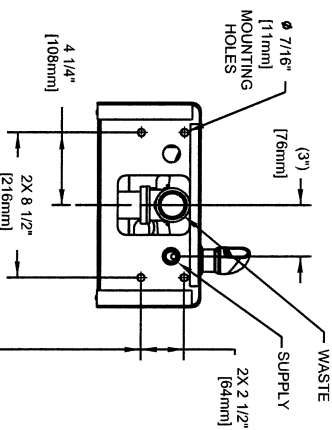
ADULT WHEELCHAIR HEIGHT: SEE SHIT 2 FIG 2

WASTE: 29-1/4" (743mm)
 SUPPLY: 29-1/8" (740mm)
 MOUNTING HOLE: 27-13/16" (706mm)
 MOUNTING PLATE: 26-3/16" (665mm)
 FOUNTAIN: 27" (686mm)
 BUBBLER: 32-7/8" (832mm)

STANDING ADULT HEIGHT: SEE SHIT 2 FIG 3
 WASTE: 34-3/4" (883mm)
 SUPPLY: 34-5/8" (879mm)
 MOUNTING HOLE: 33-5/16" (846mm)
 MOUNTING PLATE: 31-11/16" (809mm)
 FOUNTAIN: 32-1/5" (826mm)
 BUBBLER: 38-5/8" (972mm)

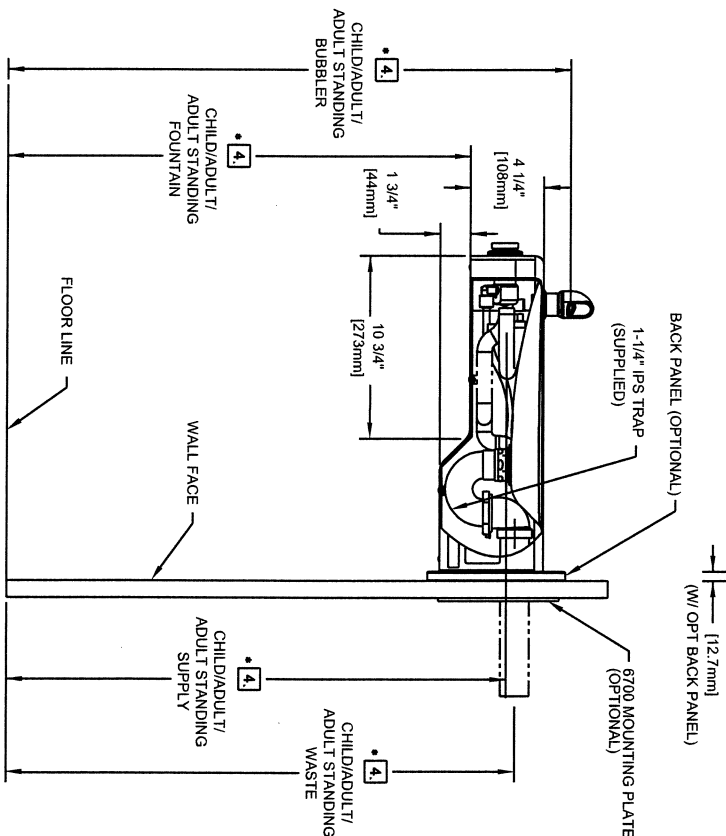


CHILD/ADULT/
ADULT STANDING
MOUNTING PLATE



CHILD/ADULT/
ADULT STANDING
MOUNTING HOLE

**MOUNTING DETAIL
BACK VIEW**



CHILD/ADULT/
ADULT STANDING
WASTE

CHILD/ADULT/
ADULT STANDING
SUPPLY

**MOUNTING PLATE
(OPTIONAL, HAWS 6700)**



1455 KLEPPE LANE
 SPARKS, NEVADA 89431
 (775) 359-4712 FAX (756) 359-7424
 E-MAIL: HAWS@HAWS.CO.COM
 WEBSITE: WWW.HAWS.CO.COM

EGN NO. REVISED PER BY:	MODEL(S)	1107L
DRAWN: ECN 4603 HJM		
CHECKED: DATE: 18/25/06		
APPROVED: DATE:		
SCALE: 1:1	DRAWING TYPE: INSTALLATION	SHEET 1 OF 1
PART NUMBER: 0002080232.D	DRAWING NO. REV: 15267A00	REV: 10