



# INSTALLATION, OPERATION & MAINTENANCE INSTRUCTIONS

1455 Kleppe Lane ♦ Sparks, NV 89431-6467 ♦ (775) 359-4712 ♦ Fax (775) 359-7424  
E-mail: [haws@hawsco.com](mailto:haws@hawsco.com) ♦ website: [www.hawsco.com](http://www.hawsco.com)

No. 2076520(16)

## Model 1011/1011HPS Drinking Fountain

**NOTE TO INSTALLER: Please leave this information with the Maintenance Department.**

### LIMITED WARRANTY

HAWS® warrants that all of its products are guaranteed against defective material or poor workmanship for a period of **one year from date of shipment**. HAWS liability under this warranty shall be discharged by furnishing without charge F.O.B. HAWS Factory any goods, or part thereof, which shall appear to the Company upon inspection to be of defective material or not of first class workmanship, provided that claim is made in writing to company within a reasonable period after receipt of the product. Where claims for defects are made, the defective part or parts shall be delivered to the Company, prepaid, for inspection. HAWS will not be liable for the cost of repairs, alterations or replacements, or for any expense connected therewith made by the owner or his agents, except upon written authority from HAWS, Sparks, Nevada. HAWS will not be liable for any damages caused by defective materials or poor workmanship, except for replacements, as provided above. Buyer agrees that Haws has made no other warranties either expressed or implied in addition to those above stated, except that of title with respect to any of the products or equipment sold hereunder and that HAWS shall not be liable for general, special, or consequential damages claimed to arise under the contract of sale. The drinking fountain manufactured by HAWS is warranted to function if installation and maintenance instructions provided are adhered to. The units also must be used for the purpose for which they were intended.

Haws further warrants the finish on Mirror Gold (MGF, gold plated) drinking fountain and electric water cooler products for a period of **one year from date of shipment** against surface peeling, bubbling, separation or anything that indicates improper adhesion directly related to the manufacturing process. Haws will **not be liable** for finish reduction or removal related to cleaning with abrasive cleaners or materials, excessive rubbing or other damage to the product surface.

**NO OTHER WARRANTIES EXPRESSED OR IMPLIED ARE AUTHORIZED, PROVIDED OR GIVEN BY HAWS.**

**SHOULD YOU EXPERIENCE DIFFICULTY WITH THE INSTALLATION OF THIS MODEL PLEASE CALL:**

**TECHNICAL SUPPORT: 1-800-766-5612**

**FOR CUSTOMER SERVICE: 1-888-640-4297**

**RECOMMENDED TOOLS:** Hack saw, pipe joint sealant, screwdriver, level, 12" adjustable wrench, 10" pipe wrench, 3/32" and 5/32" hex key wrench, 9/16", 1/2", 7/16" socket wrench or open end wrench.

**LOCATION OF UNIT:** The Model 1011/1011HPS Drinking Fountain is a wheelchair accessible drinking water facility. The height dimensions shown, meet current ADA requirements. When installing this unit, local, state or federal codes should be adhered to. If height other than shown is required, then dimensions must be adjusted accordingly.

**SUPPLY LINE:** The minimum recommended line size is 1/2" IPS with 30-90 psi (2-6 ATM) flowing pressure. Where sediment or mineral content is a problem, an inlet filter is recommended.

**PLUMBING CONNECTIONS:** Inlet is 3/8" O.D. push-in type fitting. Waste outlet is 1-1/4" O.D. tube.

**MAINTENANCE:** Periodically clean the strainer. Refer to 5874SS Valve Manual for more information.

## TROUBLESHOOTING

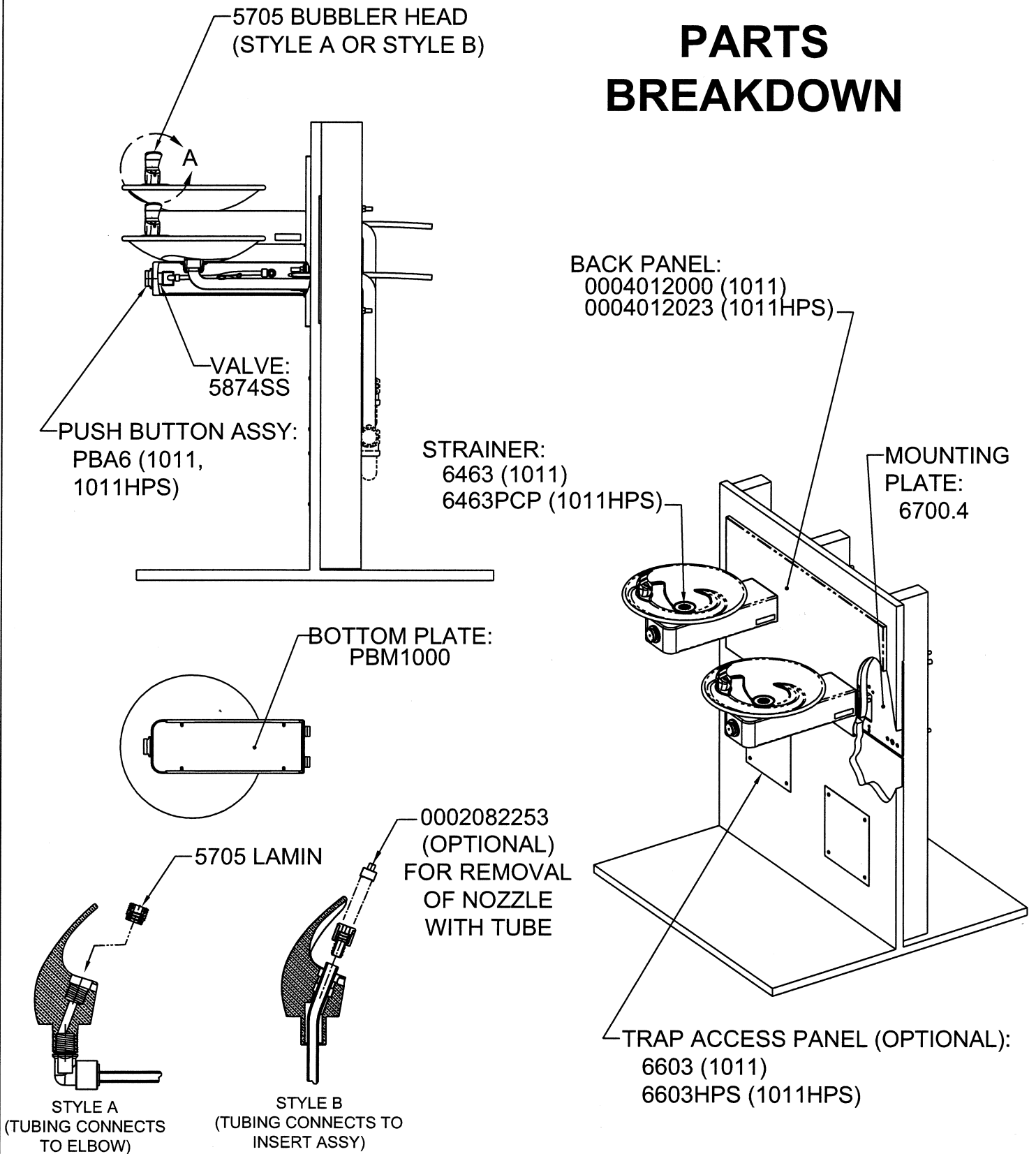
PROBLEM	REPAIR CHECKLIST
1. Insufficient bubbler flow.	<ul style="list-style-type: none"><li>1a. Check that inlet screwdriver stop valve is in wide-open position. (Customer supplied). Turn counterclockwise.</li><li>b. Verify minimum 30 psi flowing supply pressure.</li><li>c. Clean strainer. See 5874SS Valve Manual.</li><li>d. Adjust valve to increase flow. Use front adjust screw or see 5874SS Valve Manual.</li></ul>

### General Notes:

For all plastic-push-in type fitting connections; push tubing into fitting until it bottoms out to ensure a water-tight connection. To remove, depress collet and pull tubing out. Only connect NSF-61 copper or plastic tubing to these push-in type fittings.


For more information about Haws products, see our website: [www.hawSCO.com](http://www.hawSCO.com)

# PARTS BREAKDOWN



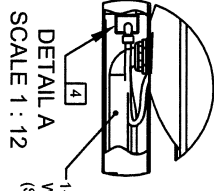
FOUNTAIN COULD HAVE EITHER STYLE

DETAIL A  
ROTATED 90° INTO VIEW

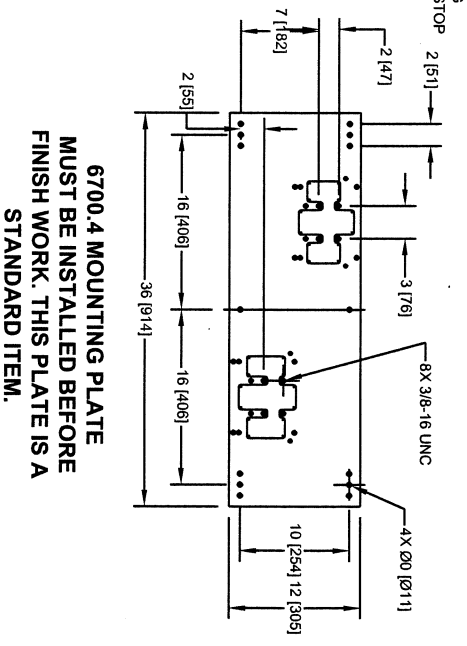
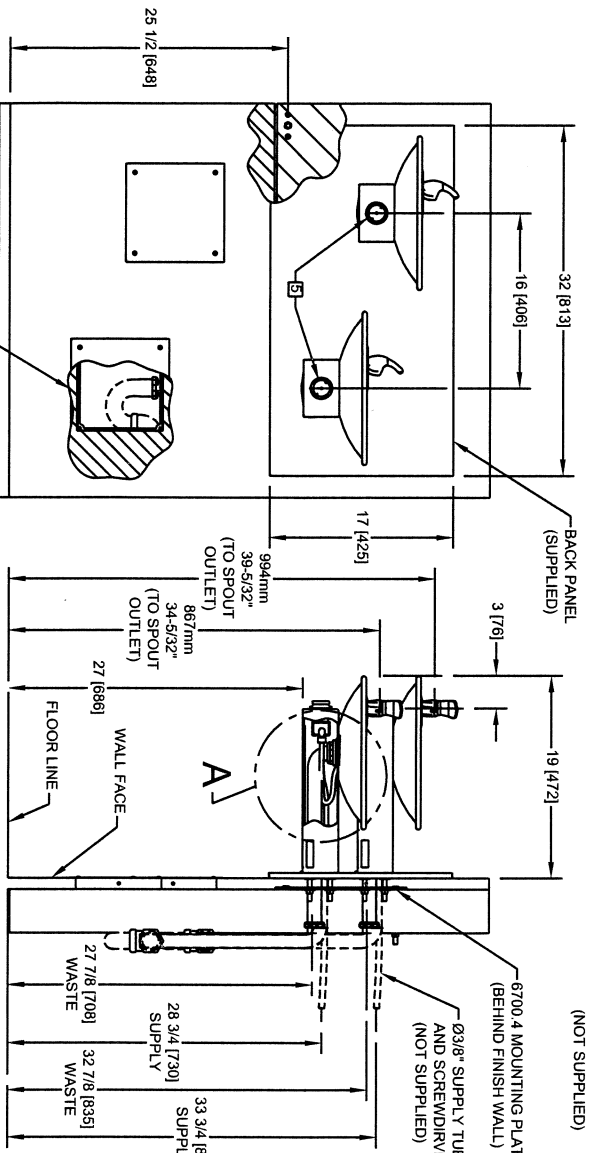
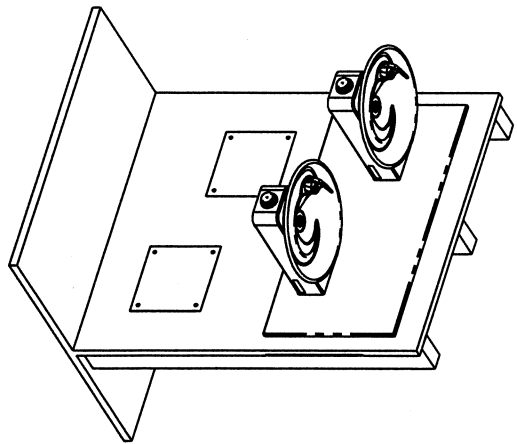
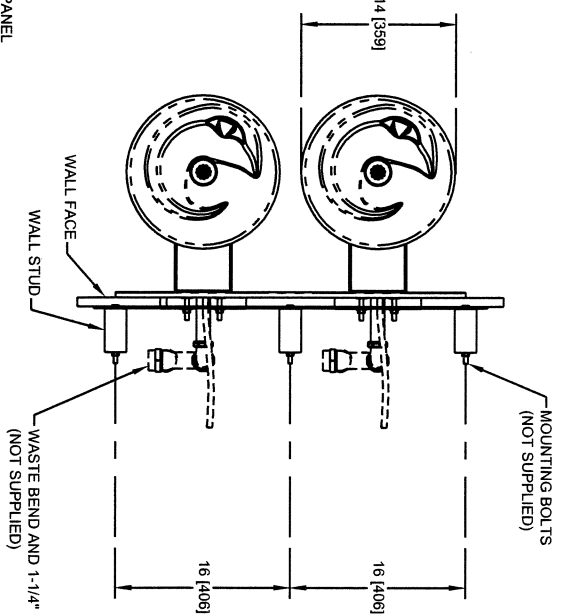
		1455 KLEPPE LANE SPARKS, NEVADA 89431 (775) 359-4712 FAX (775) 359-7424 E-MAIL: HAWS@HAWS.CO.COM WEBSITE: WWW.HAWS.CO.COM	
		ECN NO. REVISED PER BY: ECN: 4603 HM	MODEL(S) 1011/1011HPS
DRAWN: RM DATE: 10/19/06	CHECKED: [Signature] DATE:	DRINKING FOUNTAIN	DRAWING NO. REV: 15991A00 16
APPROVED: [Signature]	DATE:	SCALE: 1:1	DRAWING TYPE: PARTS BREAKDOWN
WHEN ORDERING PARTS PLEASE SPECIFY YOUR MODEL NUMBER		SIZE: A	SHEET 1 OF 1

**NOTES:**

1. HOLD ROUGH-IN DIMENSIONS ±1/8" (3.2mm).
2. WHEN INSTALLING THIS UNIT, LOCAL, STATE, OR FEDERAL CODES SHOULD BE ADHERED TO FOR INSTALLATION DIMENSIONS (LOCATIONS), WASTE AND SUPPLY REQUIREMENTS OTHER THAN SHOWN.
3. INSTALLER MUST PROVIDE TRAP FOR PROPER INSTALLATION.
4. REMOVE VALVE FROM PUSH BUTTON TO INSTALL WASTE ELBOW ONTO BOWL. AFTER WASTE ELBOW IS INSTALLED, REINSTALL VALVE AND ADJUST FLOW.
5. REFER TO 6873SS OPERATION AND MAINTENANCE MANUAL FOR PUSH BUTTON AND VALVE INSTALLATION/MAINTENANCE INSTRUCTIONS.



DETAIL A  
SCALE 1 : 12



**6700.4 MOUNTING PLATE  
MUST BE INSTALLED BEFORE  
FINISH WORK. THIS PLATE IS A  
STANDARD ITEM.**

OPTIONAL TRAP ACCESS PANEL  
MODELS 6603 AND 6603HPS



1455 KLEPPE LANE  
SPARKS, NEVADA 89431  
(775) 359-4712 FAX (775) 359-7424  
E-MAIL: HAWS@HAWSCO.COM  
WEBSITE: WWW.HAWSCO.COM

EQUIV. NO.	REVISED PER BY	MODEL(S)	DATE	CHKD.	SCALE	DRAWING TYPE	SHEET	OF
1011/1011HPS	4803 HMA	DRINKING FOUNTAIN	10/15/11	10/15/11	1:1	INSTALLATION	1	1
PART NUMBER:			DRAWING NO.:			REV:		
0002076520.D			15992A00			1/6		