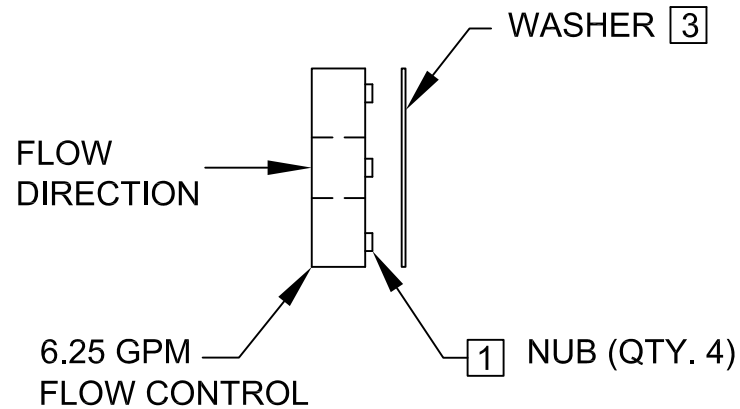
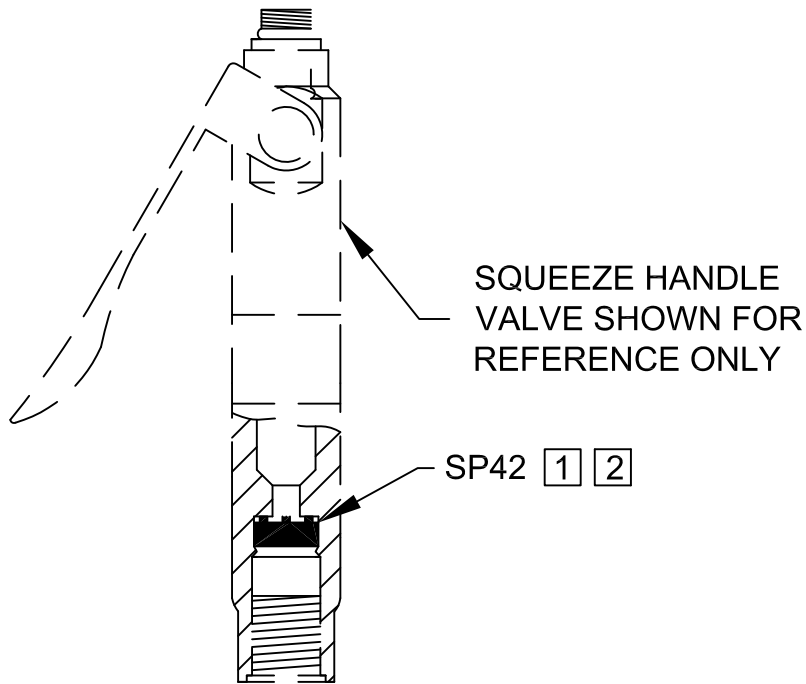
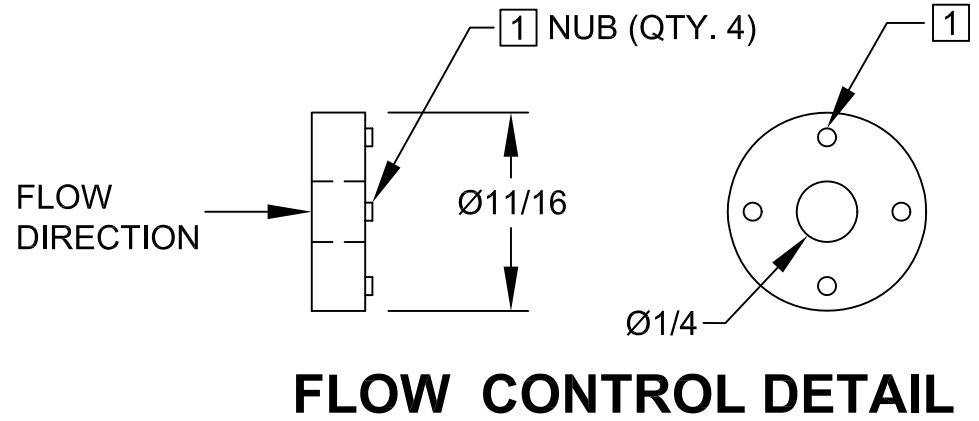


NOTES:

- 1 NOTE FLOW CONTROL ORIENTATION: NUBS ON FLOW CONTROL MUST BE FACING OPPOSITE OF FLOW SIDE.
- 2 SQUEEZE VALVE APPLICATION DOES NOT REQUIRE WASHER.
- 3 IF APPLICATION REQUIRES WASHER (SUPPLIED), IT MUST BE PLACED ON NUB SIDE OF FLOW CONTROL (OPPOSITE FLOW DIRECTION).



		1455 KLEPPE LANE SPARKS, NEVADA 89431 (775) 359-4712 FAX (775) 359-7424 E-MAIL: HAWS@HAWSCO.COM WEBSITE: WWW.HAWSCO.COM	
		PART NUMBER: 0002080316 DRAWING NUMBER: 14294A00 REV: 2	
ECN NO.:	REVISED PER:	BY:	MODEL(S):
J MAY	09/27/98	IR	SP42 6.25 GPM FLOW CONTROL
APPROVED:	DATE:	INFO FAX DOC #:	27742
SCALE: NA	DRAWING TYPE: INSTALLATION/FAXBACK	SIZE: A	SHEET 1 OF 1