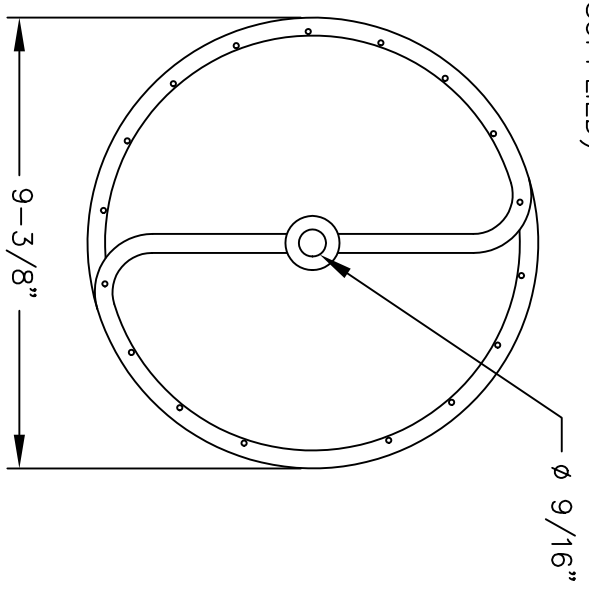
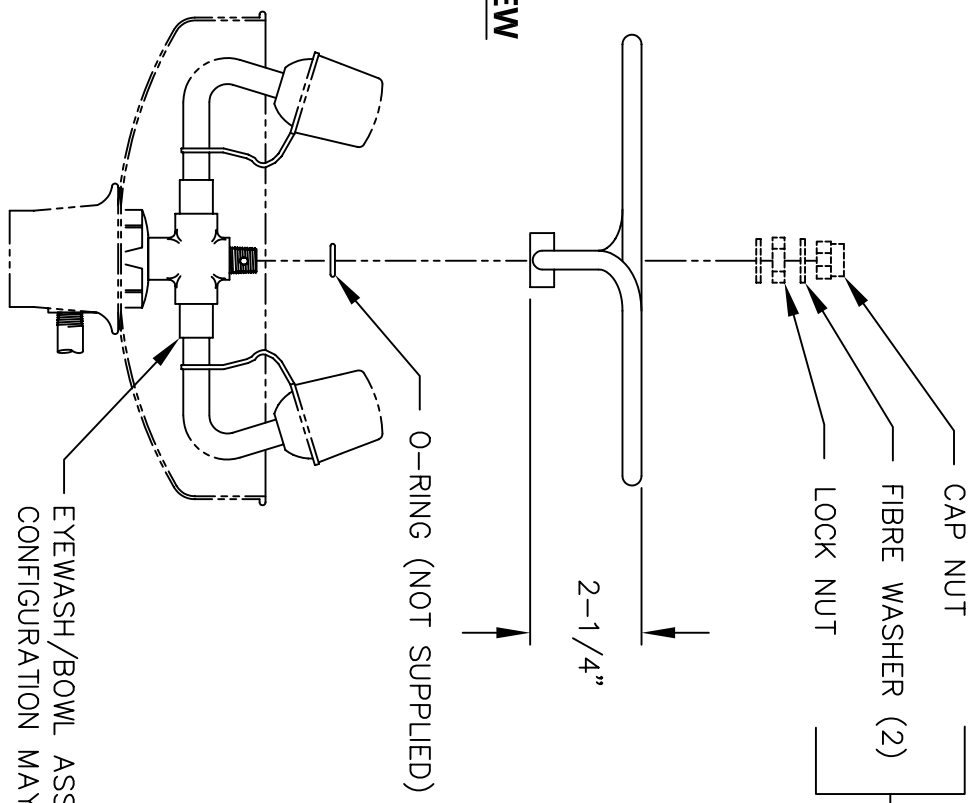


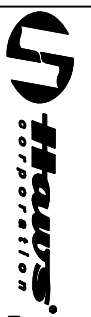
SIDE VIEW
SP30



TOP VIEW
SP30

* FOR PROPER FLOW;
1.8 GPM FLOW CONTROL

EYEWASH/BOWL ASSEMBLY (REF)
CONFIGURATION MAY VARY



INFO FAX : 1-888-FAX-HAWS (1-888-329-4297)

1455 Kiappa Ln, Sparks NY 89431
Phone: 775-359-4712 Fax: 775-359-7424
Haws AG Buchweg 3 CH-3401 Burgdorf Switzerland
Haws Ming Pte Ltd 74 Sungai Kodut Loop Singapore 729531
e-trail: Haws@hawsco.com Website: www.hawsco.com

DESIGN NO.	REVISION	DATE	BY	CHKD	DATE	MODEL(S)	INFO FAX DOC #	SCALE	DRAWING TYPE	INSTALLATION/FABRICATION
SP 30	3/24/94					SP 30				
DATE	3/24/94									
SIZE	A	SHEET	1	OF	1					