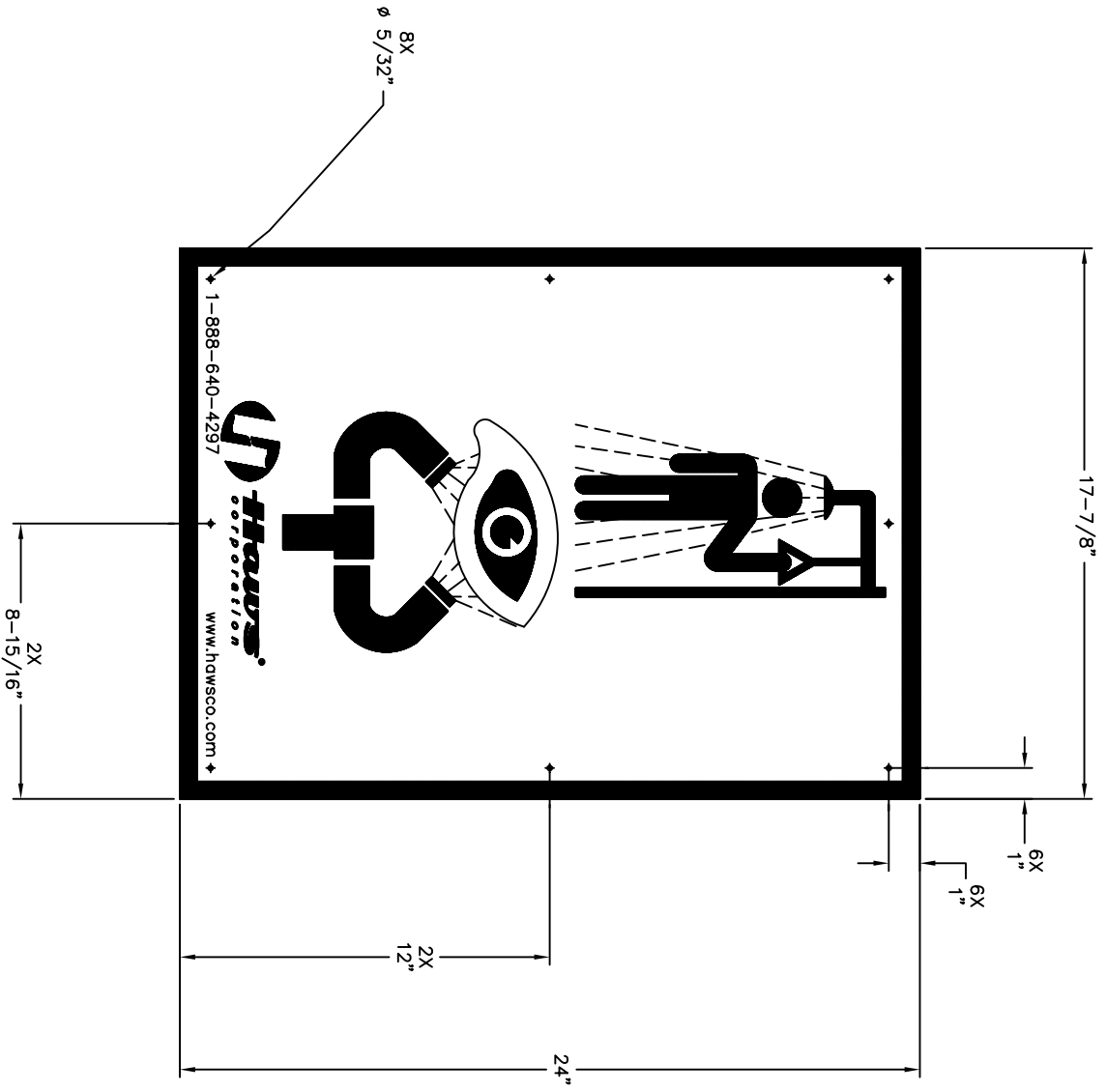


THIS DOCUMENT AND THE DATA DISCLOSED HEREIN OR HEREWITH IS NOT TO BE REPRODUCED, USED, OR DISCLOSED IN WHOLE OR IN PART TO ANYONE WITHOUT THE PERMISSION OF HAWES CORPORATION.



END NUMBER: 1120		FOR NUMBER:		DATE: 10/00		TITLE: SHOWER/EYEWASH SIGN LARGE MODEL SP178LG		PART NUMBER: SP178LG		SCALE: 1/3		DWC. TYPE: ENVELOPE		REV. 0	
APPROVALS:		DATE:		TITLE:		PART NUMBER:		SCALE:		DWC. TYPE:		REV.:		DATE:	
DRAWN BY: KULSKI		10/00		SHOWER/EYEWASH SIGN		SP178LG		1/3		ENVELOPE		0		10/00	
CHECKED:				LARGE MODEL SP178LG		SP178LG						0			
APPROVED:												1			