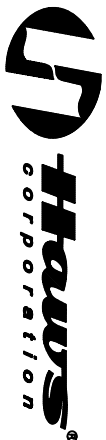


- NOTES:**
1. HOLD ROUGH-IN DIMENSIONS  $\pm 1/8"$  (3.2mm).
  2. \*\*WHEN INSTALLING THIS UNIT, LOCAL, STATE, OR FEDERAL CODES SHOULD BE ADHERED TO. FOR INSTALLATION HEIGHTS OTHER THAN SHOWN, DIMENSIONS MARKED (\*) MUST BE ADJUSTED ACCORDINGLY.
  3. DIMENSIONS ARE IN INCHES. DIMENSIONS IN PARENTHESES ARE IN MILLIMETERS.
  4. ALLOW 4 INCHES (102mm) MINIMUM CLEARANCE FOR VENTILATION.

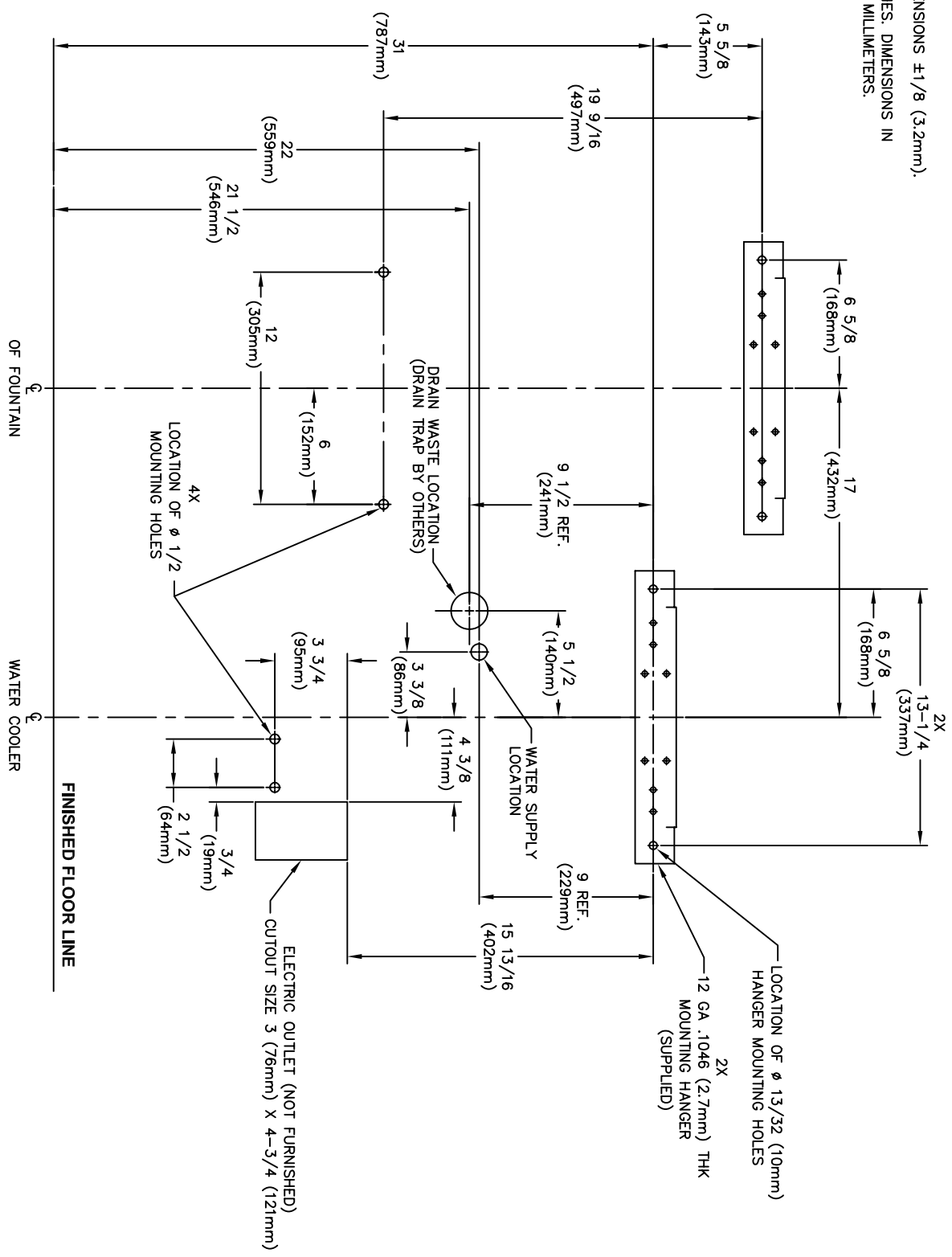
5. POWER FURNISHED WITH A 3 PRONG PLUG.
6. \*\*INSTALLER SHOULD PROVIDE SUPPLY STOP FOR PROPER INSTALLATION.
7. SEE SHEET 2 FOR ROUGH-IN DIMENSIONS.
8. REFER TO 5874/VRK5874 O&M FOR PUSH BUTTON AND VALVE INSTALLATION AND MAINTENANCE INSTRUCTIONS.



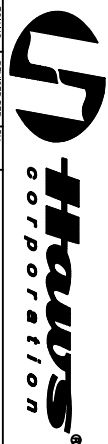
1455 KLEPPE LANE  
SPARKS, NEVADA 89431  
(775) 359-4712 FAX (775) 359-7424  
E-MAIL: HAWS@HAWS.CO.COM  
WEBSITE: WWW.HAWS.CO.COM

ESTD:	1959	FOR	MODELS:	HWBFA8L VRC
DESIGN:	ENCL. 4423	HWL	DATE:	10/98
RTM:	10/98	CHK:	INFO FAX DOC #:	24925872
APPROVED:			SCALE:	1/8" = 1"
			INSTALLATION/EXHIBIT:	
			DATE:	
			SIZE:	A
			SHEET:	1 OF 2
			REV:	10
			NO. OF SHEETS:	002080283.D
				13792A00

**NOTES:**  
 HOLD ROUGH-IN DIMENSIONS ±1/8" (3.2mm).  
 DIMENSIONS ARE INCHES. DIMENSIONS IN PARENTHESIS ARE IN MILLIMETERS.



**ROUGH-IN LOCATIONS FOR HWBFA8L VRC**



1455 KLEPPE LANE  
 SPARKS, NEVADA 89431  
 (775) 359-4712 FAX (775) 359-7424  
 E-MAIL: HAWS@HAWSCCO.COM  
 WEBSITE: WWW.HAWSCCO.COM

EQ# NO.	10998	DATE:	10/98	MODELS:	HWBFA8L VRC	QUANTITY:	10
DATE:	10/98	DATE:	10/98	INFO FAX DOC#:	24925872	ORDER NO.:	002080283 D
APPROVED:		DATE:		INSTALLATION/FABRICATION:		REV:	10
						SIZE:	A
						SHEET:	2 OF 2