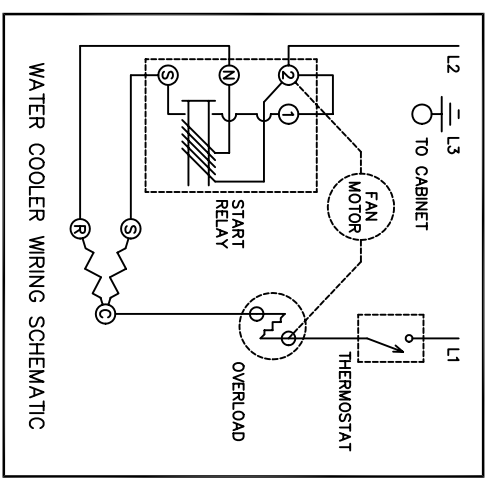
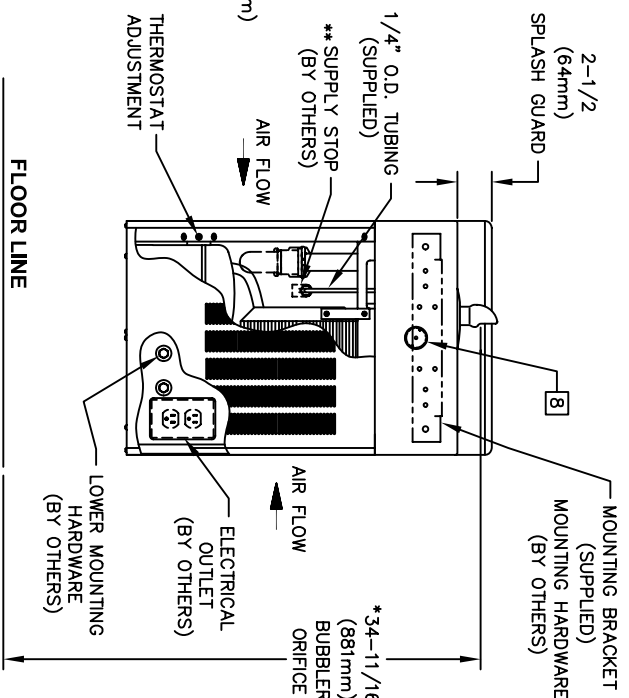
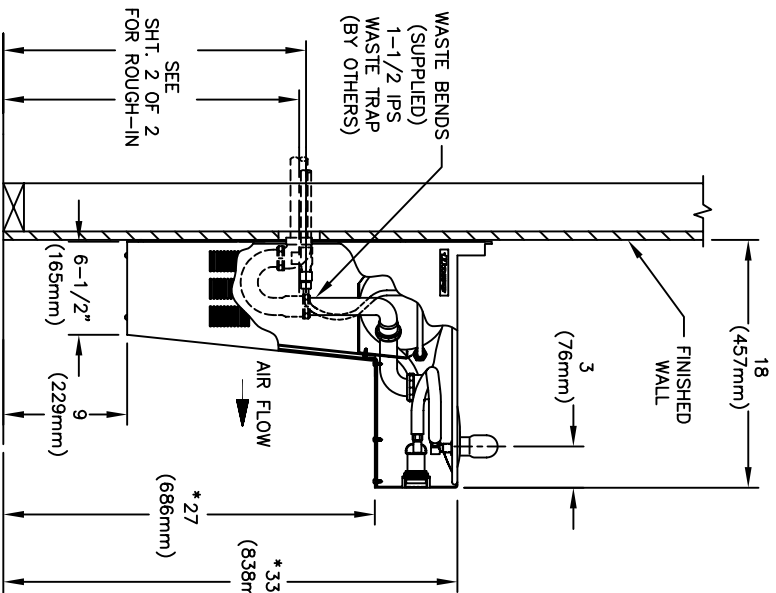
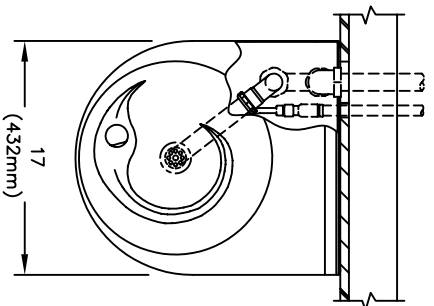


NOTES:

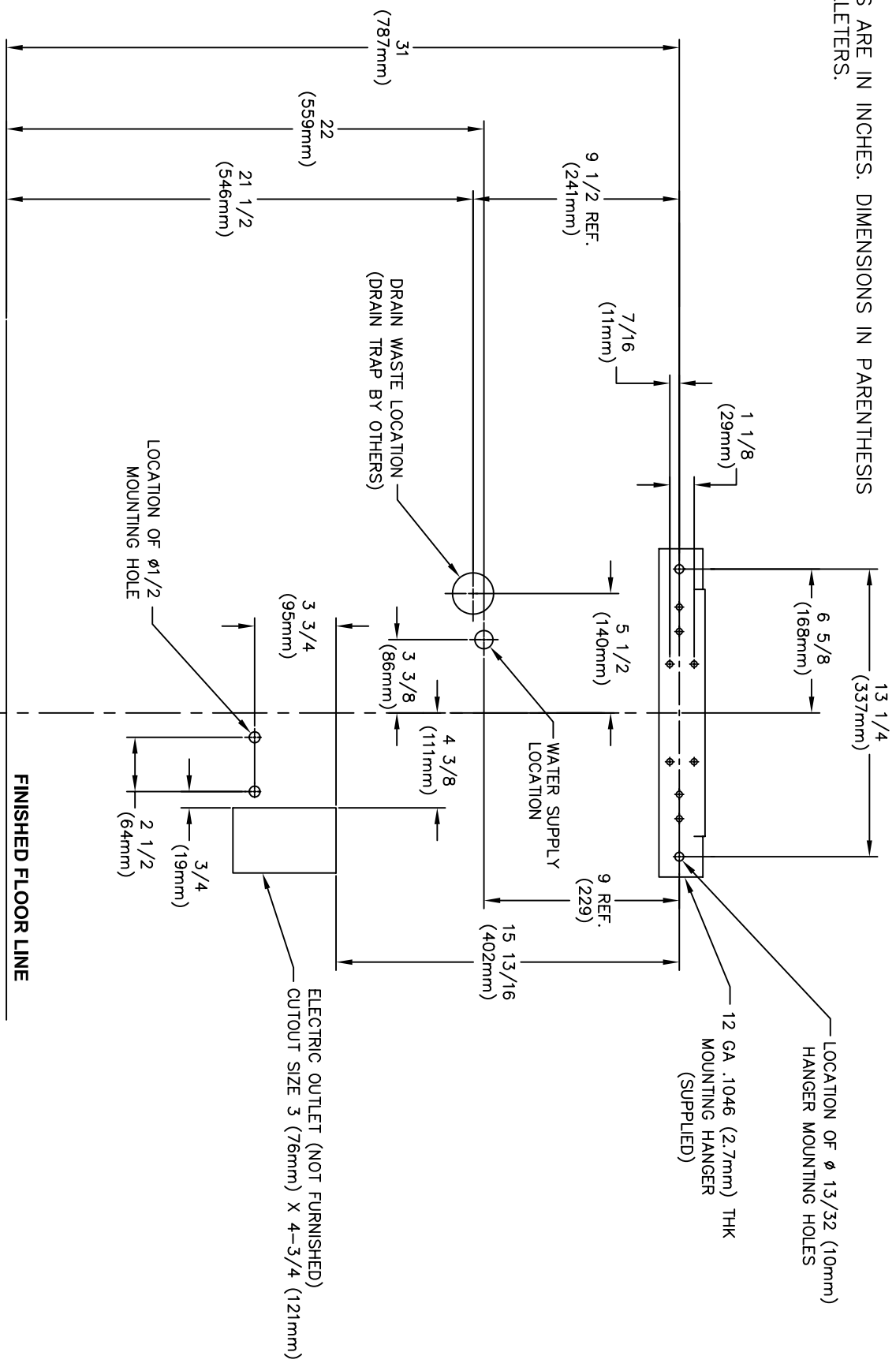
1. HOLD ROUGH-IN DIMENSIONS ±1/8" (3.2mm).
 2. *WHEN INSTALLING THIS UNIT, LOCAL, STATE, OR FEDERAL CODES SHOULD BE ADHERED TO. FOR INSTALLATION HEIGHTS OTHER THAN SHOWN, DIMENSIONS MARKED (*) MUST BE ADJUSTED ACCORDINGLY.
 3. **INSTALLER SHOULD PROVIDE SUPPLY STOP FOR PROPER INSTALLATION.
 4. POWER FURNISHED WITH A THREE PRONG PLUG.
 5. ALLOW 4 INCHES (102mm) MIN. CLEARANCE PER SIDE FOR VENTILATION.
 6. SEE SHEET 2 FOR ROUGH-IN DIMENSIONS.
 7. DIMENSIONS ARE IN INCHES. DIMENSIONS IN PARENTHESIS ARE IN MILLIMETERS.
- [B] REFER TO 5874/VRK5874 OPERATION AND MAINTENANCE MANUAL FOR PUSH BUTTON AND VALVE INSTALLATION/MAINTENANCE INSTRUCTIONS.



1455 KLEPPE LANE
 SPARKS, NEVADA 89431
 (775) 359-4712 FAX (775) 359-7424
 E-MAIL: HAWS@HAWS.CO.COM
 WEBSITE: WWW.HAWS.CO.COM

EQ. NO.:	1002080288 D
TRKING:	13791A00
RTM:	12
APPROVER:	
DATE:	
MODELS:	HWBFAB, VRC
INFO FAX DOC #:	24923872
INSTALLATION/BACK:	
SIZE:	A
SHEET:	1 OF 2

NOTES:
 HOLD ROUGH-IN DIMENSIONS ±1/8" (3.2mm).
 DIMENSIONS ARE IN INCHES. DIMENSIONS IN PARENTHESIS ARE IN MILLETERS.



ROUGH-IN LOCATIONS FOR HWBFAR.VRC

OF FOUNTAIN

FINISHED FLOOR LINE



1455 KLEPPE LANE
 SPARKS, NEVADA 89431
 (775) 359-4712 FAX (775) 359-7424
 E-MAIL: HAWS@HAWSCCO.COM
 WEBSITE: WWW.HAWSCCO.COM

EQ. NO.:	10998	DATE:	10/98	MODELS:	HWBFAR.VRC
DESIGNER:	ECN: 4423	CHKD:		INFO FAX DOC #:	24923872
APPROVED:				INSTALLATION/FABRICATION:	
DATE:				SIZE:	A
				SHEET:	2 OF 2
				QUANTITY:	002080288 D
				REV:	13791A00
				DATE:	1/2