

**NOTES:**

1. HOLD ROUGH-IN DIMENSIONS ± 1/8" (3.2mm)
2. WHEN INSTALLING THIS UNIT, LOCAL, STATE, OR FEDERAL CODES SHOULD BE ADHERED TO. FOR INSTALLATION HEIGHTS OTHER THAN SHOWN, DIMENSIONS MARKED ( \* ) MUST BE ADJUSTED ACCORDINGLY.
- 3 REFER TO MTGFR.17 INSTALLATION DRAWING FOR FRAME ROUGH-IN DIMENSIONS.
- 4 REFER TO 5874SS/VRK5874 OPERATION AND MAINTENANCE MANUAL FOR PUSH BUTTON AND VALVE INSTALLATION/MAINTENANCE INSTRUCTIONS.
- 5 ROUGH-IN DIMENSIONS FOR FOUNTAIN HEIGHTS:

CHILD WHEELCHAIR HEIGHT: SEE SHEET 2 FIG 1

- WASTE: 26-1/4" (667mm)
- FOUNTAIN: 24" (610mm)
- BUBBLER: 29-7/8" (756mm)

ADULT WHEELCHAIR HEIGHT: SEE SHEET 2 FIG 2

- WASTE: 29-1/4" (743mm)
- FOUNTAIN: 27" (686mm)
- BUBBLER: 32-7/8" (832mm)

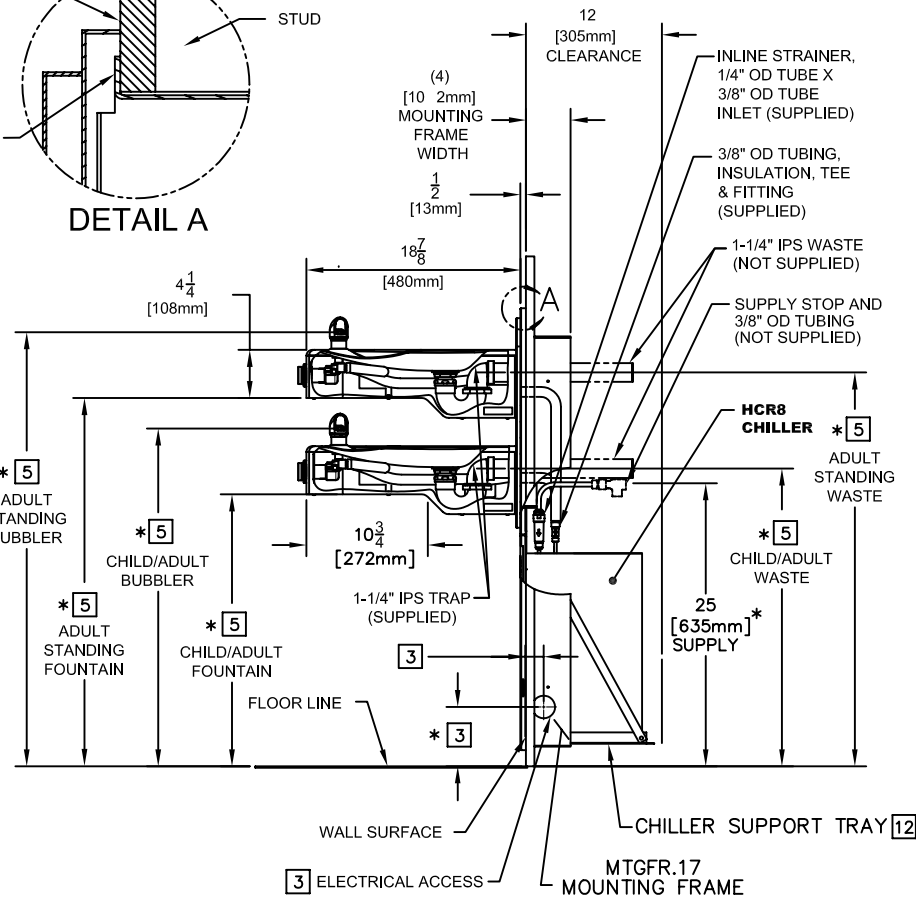
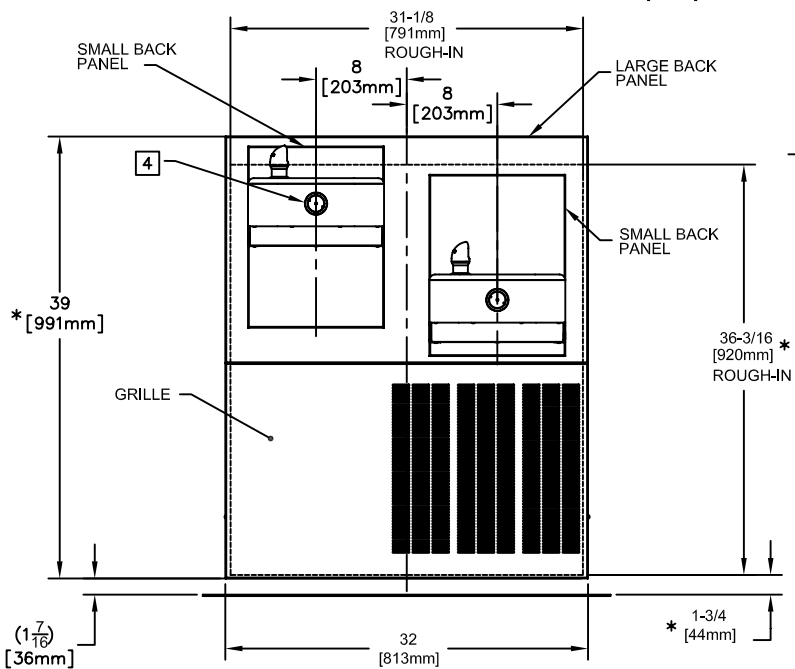
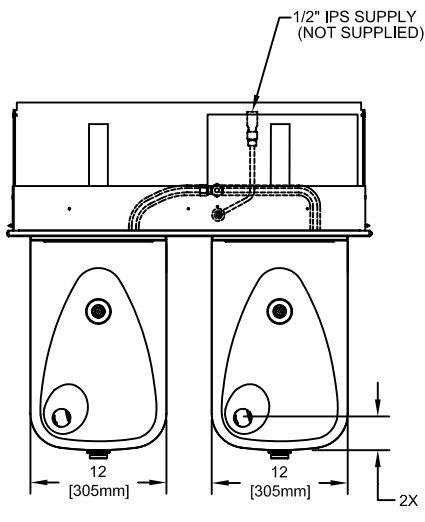
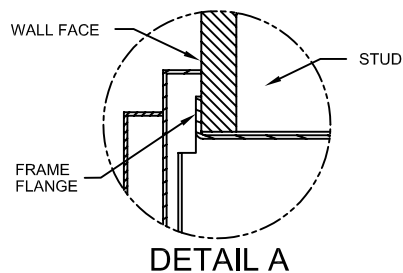
ADULT STANDING HEIGHT: SEE SHEET 2 FIG 3

- WASTE: 34-3/4" (883mm)
- FOUNTAIN: 32-1/2" (826mm)
- BUBBLER: 39-3/8" (972mm)

6. REFER TO MODEL H1117.8 INSTALLATION DRAWING SHEET 2 OF 2 (ON HAWS WEBSITE WWW.HAWSCO.COM) FOR PERMISSIBLE BOWL MOUNTING PATTERNS. TWO WHEELCHAIR HEIGHT FOUNTAINS CANNOT BE MOUNTED SIDE BY SIDE PER ANSI A117.1

NOTES CONTINUED ON SHEET 2 OF 2

**IMPORTANT: MOUNTING FRAME MUST BE INSTALLED SO THAT LIP OF FRAME SITS AGAINST FINISHED WALL FACE.**



1455 KLEPPE LANE  
SPARKS, NEVADA 89431  
(775) 359-4712 FAX (775) 359-7424  
E-MAIL: HAWS@HAWSCO.COM  
WEBSITE: WWW.HAWSCO.COM

ECN NO. 3817	REVISED PER BY: ECN: 4603 HM	MODEL(S) H1117.8
DRAWN: C. FEMNER	DATE: 10/25/06	PART NUMBER: 0002080215.D
APPROVED:	DATE:	DRAWING NO.: 15274A00
SCALE: 1/2" = 1'-0"		DRAWING TYPE: INSTALLATION
SIZE: A		SHEET 1 OF 2



15274A00



1455 KLEPPE LANE  
SPARKS, NEVADA 89431  
(775) 359-4712 FAX (775) 359-7424  
E-MAIL: HAWS@HAWS.CO.COM  
WEBSITE: WWW.HAWS.CO.COM

ECN NO. REVISED PER BY: MODEL(S)  
3817 ECN: 4803 HM  
DATE: CHKD: H1117.8  
C. FENNER DATE: 10/25/06

0002080215.D

1:2

INSTALLATION

SIZE: A 15274A00\_9  
2 2