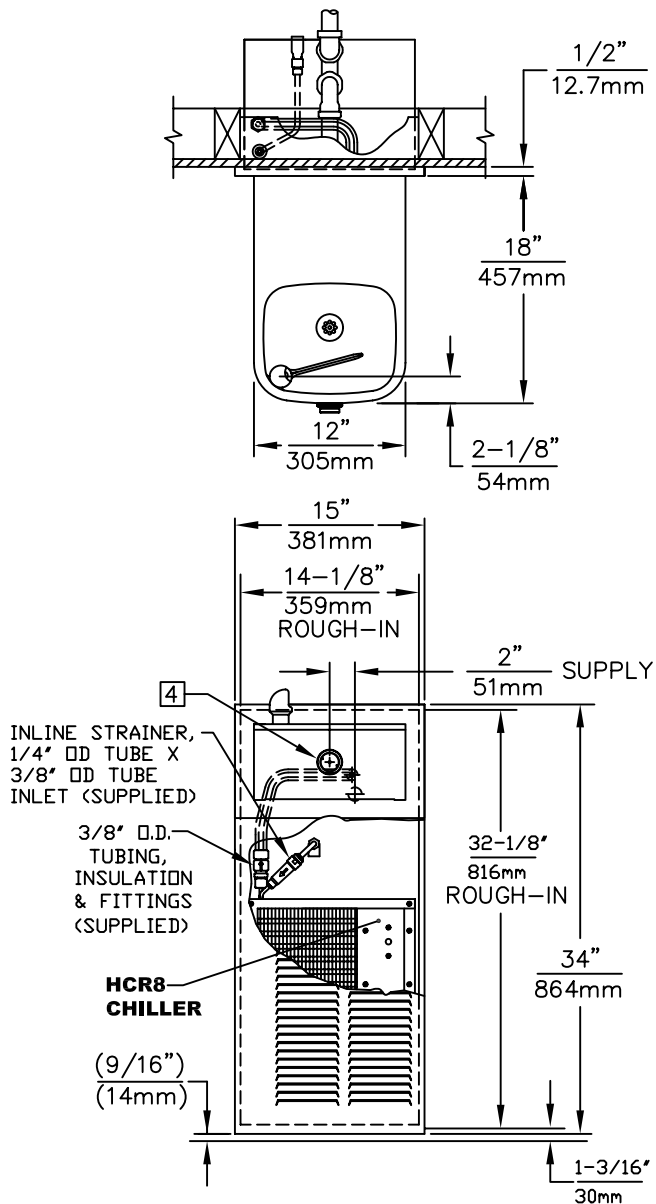
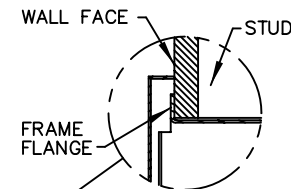


**NOTES:**

1. HOLD ROUGH-IN DIMENSIONS  $\pm 1/8"$  (3.2mm)
2. WHEN INSTALLING THIS UNIT, LOCAL, STATE, OR FEDERAL CODES SHOULD BE ADHERED TO. FOR INSTALLATION HEIGHTS OTHER THAN SHOWN, DIMENSIONS MARKED (\*) MUST BE ADJUSTED ACCORDINGLY.
3. ALIGN HOLES IN CHILLER SUPPORT TRAY WITH HOLES IN FRAME AND FASTEN WITH #10 SHEETMETAL SCREWS.
4. REFER TO 5874SS/VRK5874 OPERATION AND MAINTENANCE MANUAL FOR PUSH BUTTON AND VALVE INSTALLATION/MAINTENANCE INSTRUCTIONS.
5. REFER TO MTGFR.SM INSTALLATION DRAWING FOR ROUGH-IN DIMENSIONS.
6. INSERT  $5/16"$ -18 PANEL INSERTS FROM OPPOSITE SIDE AT LOCATIONS SHOWN BY DARKENED HOLES.
7. FOUNTAIN REMOVAL: FIRST REMOVE SCREWS AND THEN SQUEEZE CLIPS ON NUT RETAINER TO POP OUT. INSTALL IS REVERSE OF REMOVAL.

IMPORTANT: MOUNTING FRAME MUST BE INSTALLED SO THAT LIP OF FRAME BUTTS AGAINST FINISHED WALL FACE.



4 INLINE STRAINER, 1/4" O.D. TUBE X 3/8" O.D. TUBE INLET (SUPPLIED)

3/8" O.D. TUBING, INSULATION & FITTINGS (SUPPLIED)

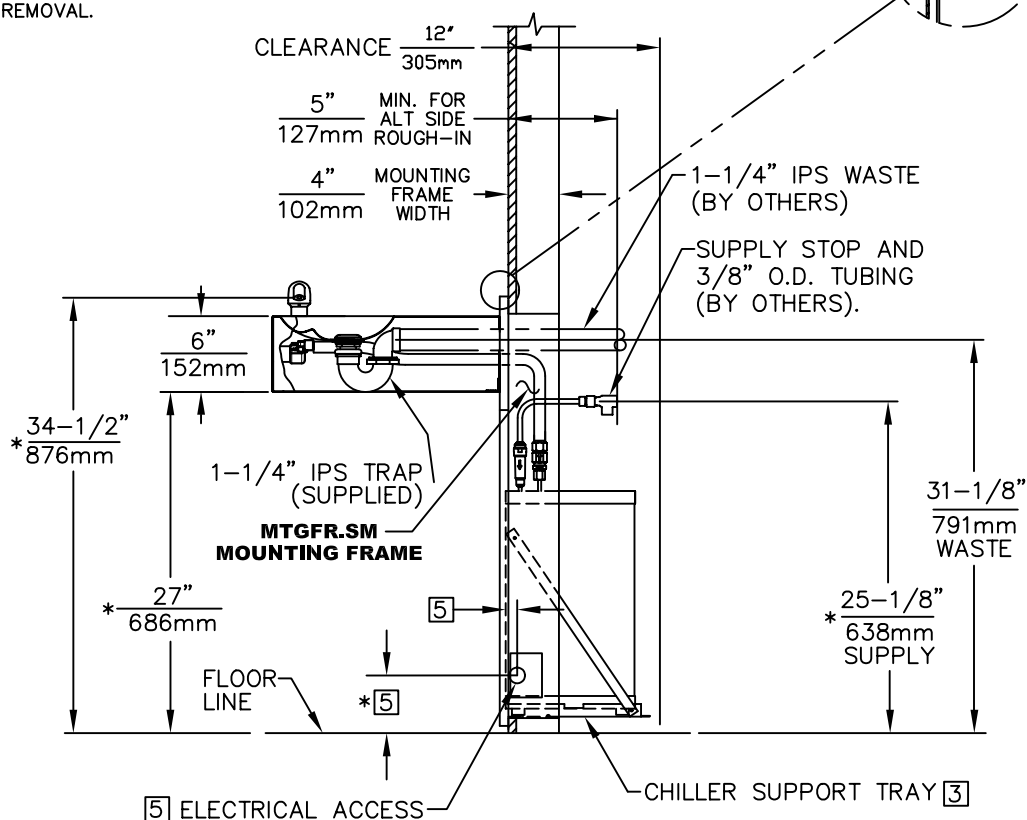
**HCR8 CHILLER**

(9/16") (14mm)

32-1/8" 816mm ROUGH-IN

34" 864mm

1-3/16" 30mm



CLEARANCE 12" 305mm

5" MIN. FOR ALT SIDE ROUGH-IN 127mm

4" MOUNTING FRAME WIDTH 102mm

1-1/4" IPS WASTE (BY OTHERS)

SUPPLY STOP AND 3/8" O.D. TUBING (BY OTHERS).

34-1/2" \* 876mm

1-1/4" IPS TRAP (SUPPLIED)

**MTGFR.SM MOUNTING FRAME**

31-1/8" 791mm WASTE

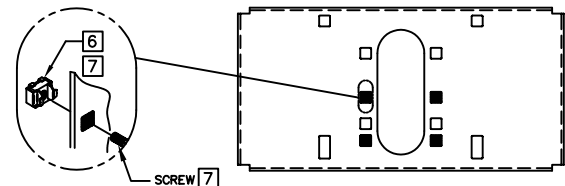
\* 27" 686mm

\* 25-1/8" 638mm SUPPLY

FLOOR LINE

5 ELECTRICAL ACCESS

CHILLER SUPPORT TRAY 3



**BOWL MOUNTING PATTERN DETAIL**



1455 KLEPPE LANE  
SPARKS, NEVADA 89431  
(775) 359-4712 FAX (775) 359-7424  
E-MAIL: HAWS@HAWS.CO.COM  
WEBSITE: WWW.HAWS.CO.COM

|                         |                            |                      |
|-------------------------|----------------------------|----------------------|
| ECN NO. REVISED PER BY: | MODEL(S)                   | PART NUMBER:         |
| ECN: 4965 HM            | H1109.8                    | 0002080252.D         |
| DRAWN: F. VASQUEZ       | DATE: 08/98                | DRAWING NO.:         |
| APPROVED:               | DATE:                      | 13734A               |
| SCALE: 1:15             | DRAWING TYPE: INSTALLATION | SIZE: A SHEET 1 OF 1 |