

NOTES:

1. HOLD ROUGH-IN DIMENSIONS $\pm 1/8"$ (3.2mm)
2. WHEN INSTALLING THIS UNIT, LOCAL, STATE, OR FEDERAL CODES SHOULD BE ADHERED TO. FOR INSTALLATION HEIGHTS OTHER THAN SHOWN, DIMENSIONS MARKED (*) MUST BE ADJUSTED ACCORDINGLY.
- 3 REFER TO 5874SS/VRK5874 OPERATION AND MAINTENANCE MANUAL FOR PUSH BUTTON AND VALVE INSTALLATION/MAINTENANCE INSTRUCTIONS.
- 4 REFER TO MTGFR.7 INSTALLATION DRAWING FOR FRAME ROUGH-IN DIMENSIONS.
- 5 INSERT 5/16"-18 PANEL NUT RETAINERS FROM OPPOSITE SIDE AT LOCATIONS SHOWN.
- 6 FOUNTAIN REMOVAL: FIRST REMOVE SCREWS AND THEN SQUEEZE CLIPS ON NUT RETAINER TO POP OUT. INSTALL IS REVERSE OF REMOVAL.
- 7 ALIGN HOLES IN CHILLER SUPPORT TRAY WITH HOLES IN FRAME AND FASTEN WITH #10 SHEET METAL SCREWS.
- 8 ROUGH-IN DIMENSIONS FOR FOUNTAIN HEIGHTS:

CHILD WHEELCHAIR HEIGHT: SEE SHEET 2 FIG 1

- WASTE: 26-1/4" (667mm)
- SUPPLY: 26-1/8" (664mm)
- FOUNTAIN: 24" (610mm)
- BUBBLER: 29-7/8" (756mm)
- FRAME: 3-1/8" (79mm)

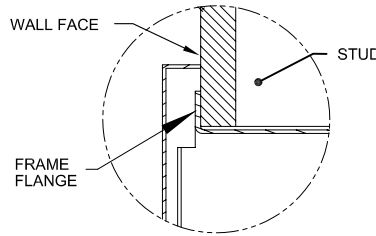
ADULT WHEELCHAIR HEIGHT: SEE SHEET 2 FIG 2

- WASTE: 29-1/4" (743mm)
- SUPPLY: 29-1/8" (740mm)
- FOUNTAIN: 27" (686mm)
- BUBBLER: 32-7/8" (832mm)
- FRAME: 6-1/8" (156mm)

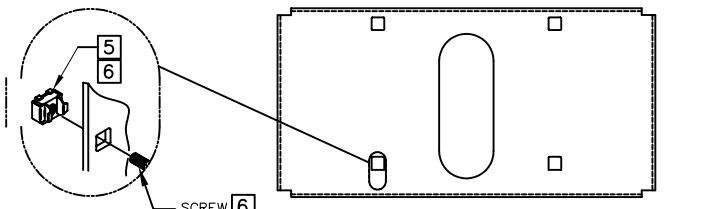
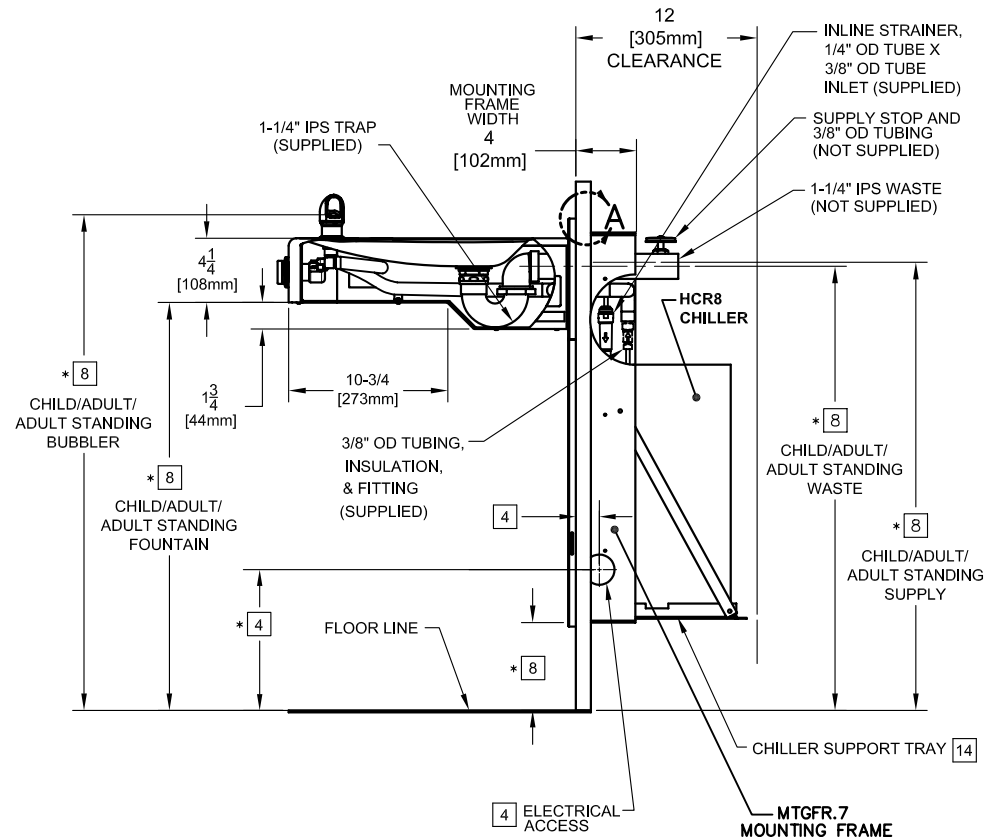
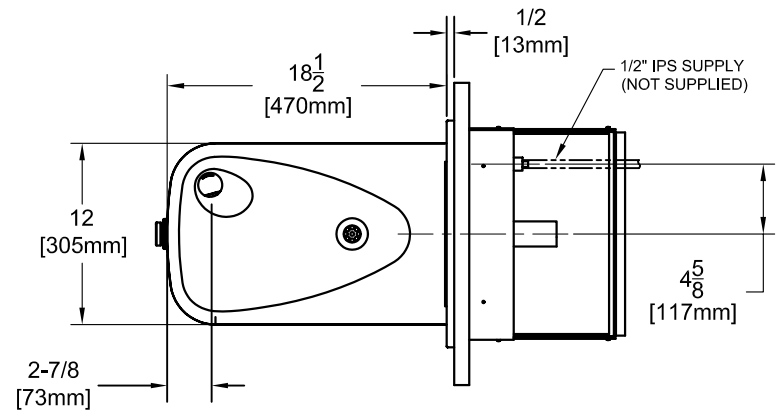
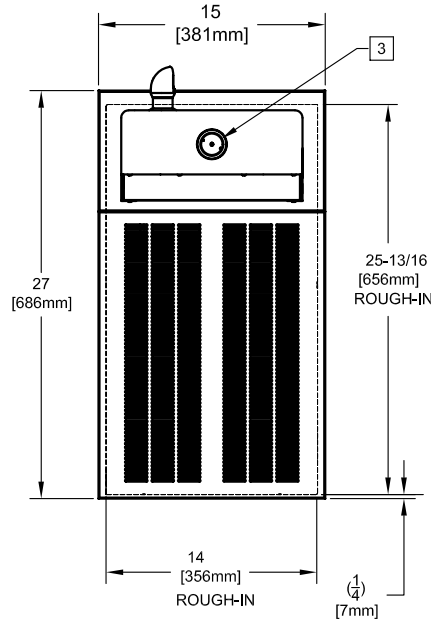
ADULT STANDING HEIGHT: SEE SHEET 2 FIG 3

- WASTE: 34-3/4" (883mm)
- SUPPLY: 34-5/8" (879mm)
- FOUNTAIN: 32-1/2" (826mm)
- BUBBLER: 39-3/8" (972mm)
- FRAME: 11-5/8" (384mm)

IMPORTANT: MOUNTING FRAME MUST BE INSTALLED SO THAT LIP OF FRAME SITS AGAINST FINISHED WALL FACE.



DETAIL A



BOWL MOUNTING DETAIL

1455 KLEPPE LANE
SPARKS, NEVADA 89431
(775) 359-4712 FAX (775) 359-7424
E-MAIL: HAWS@HAWS.CO.COM
WEBSITE: WWW.HAWS.CO.COM

ECN NO. REVISED PER BY:	MODEL(S)	PART NUMBER:	REV.
ECN: 4803 HM	H1107.8	0002080221.D	10
DRAWN: C. FENNER	DATE: 12/19/06	DRAWING NO.:	REV.
APPROVED:	DATE:	15271A00	10
SCALE: 1:1		DRAWING TYPE: INSTALLATION	
SIZE: A		SHEET 1 OF 2	

