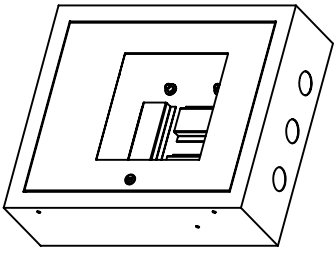
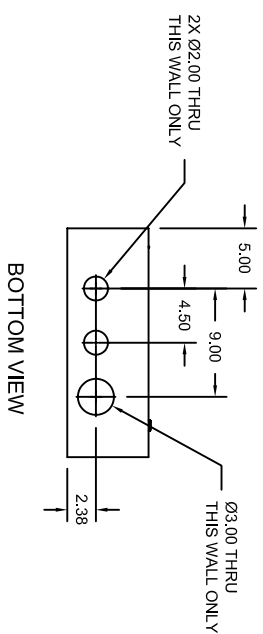
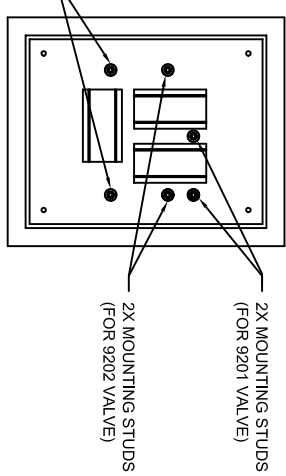
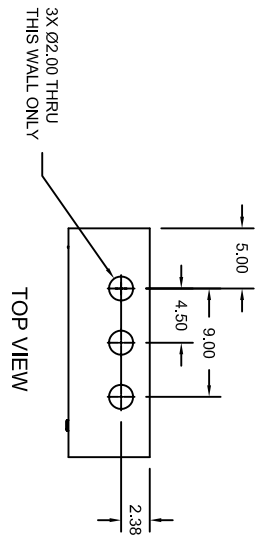
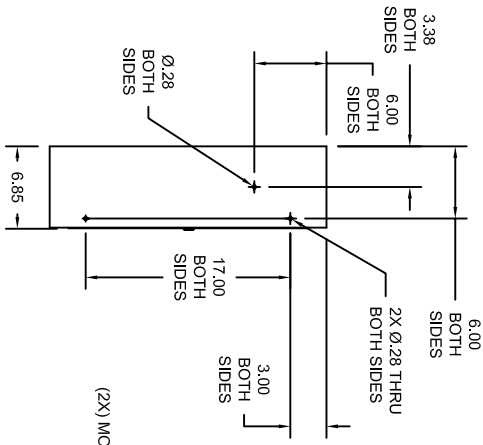
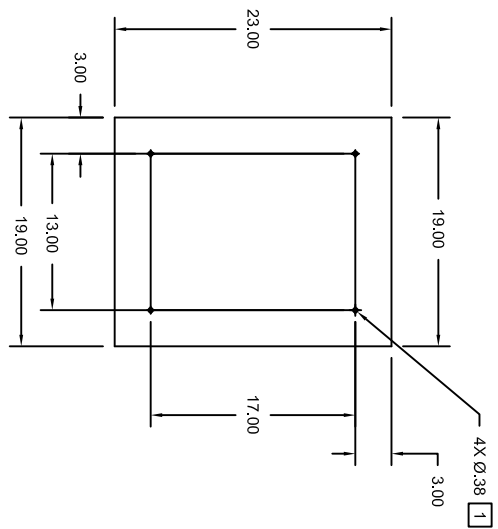
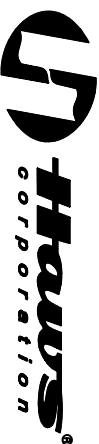


NOTES: (UNLESS OTHERWISE SPECIFIED)

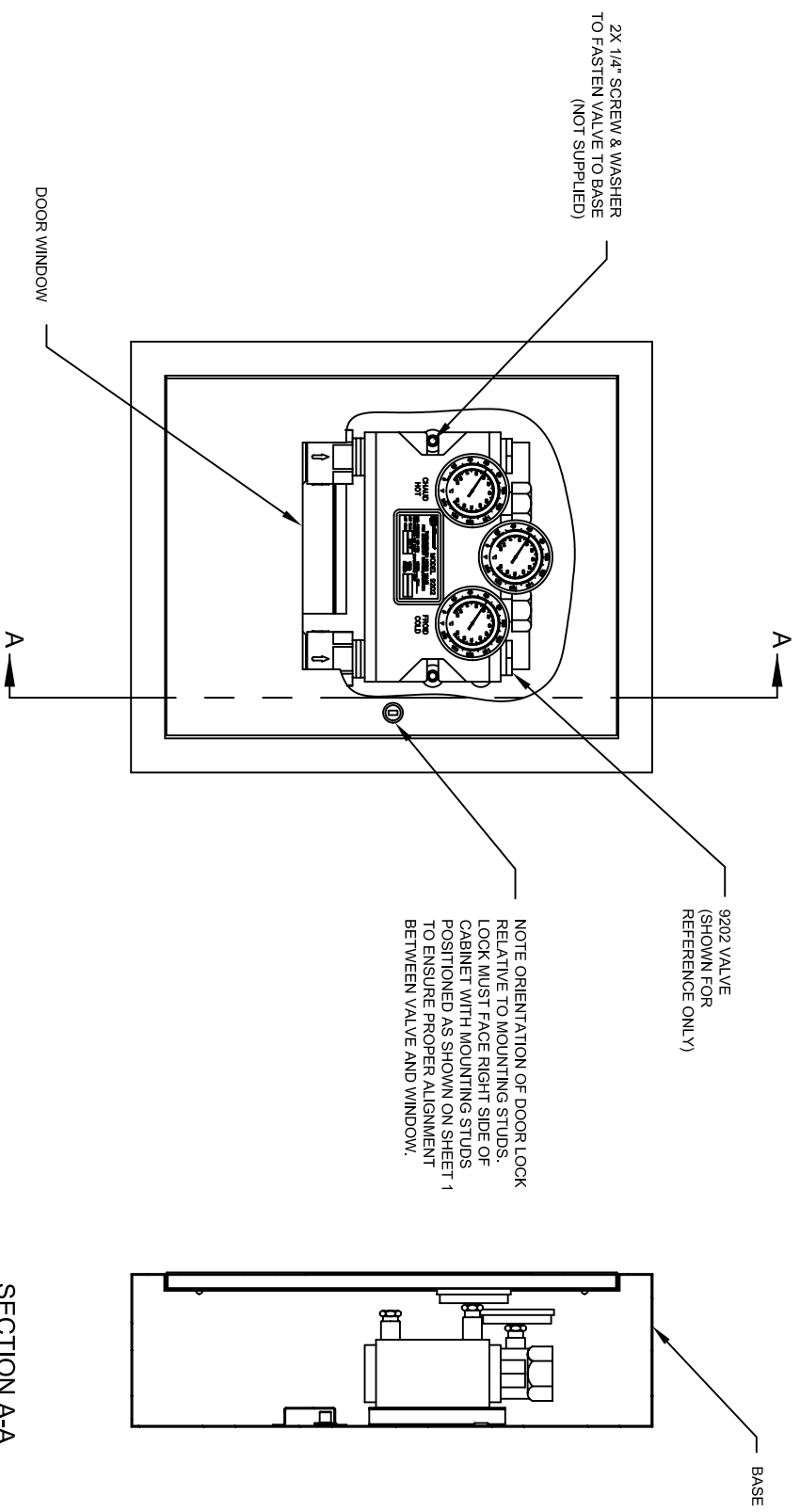
1 WOOD SCREW MOUNTING HARDWARE NOT SUPPLIED.



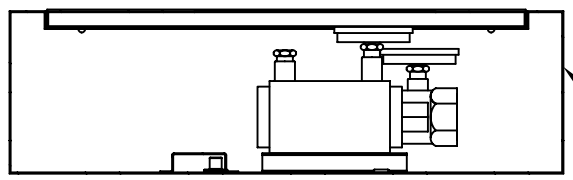
SEE SHEETS 2 AND 3 FOR VALVE/CABINET ORIENTATION.



DESIGNER: T. HAWES	DATE: 11/15/09	MODEL(S): 9205.SUR	INFO FAX DOC #: 29205787
DRAWN: E.C.N. 4347	CHKD: W.V.C.	DATE: 11/15/09	INSTALLATION/FABRICATION
WVC			
QUANTITY: 1	UNIT PRICE: 0.00	TOTAL PRICE: 0.00	DATE: 11/15/09
SIZE: A	SHEET: 1	OF: 3	



9202 VALVE/CABINET ORIENTATION.

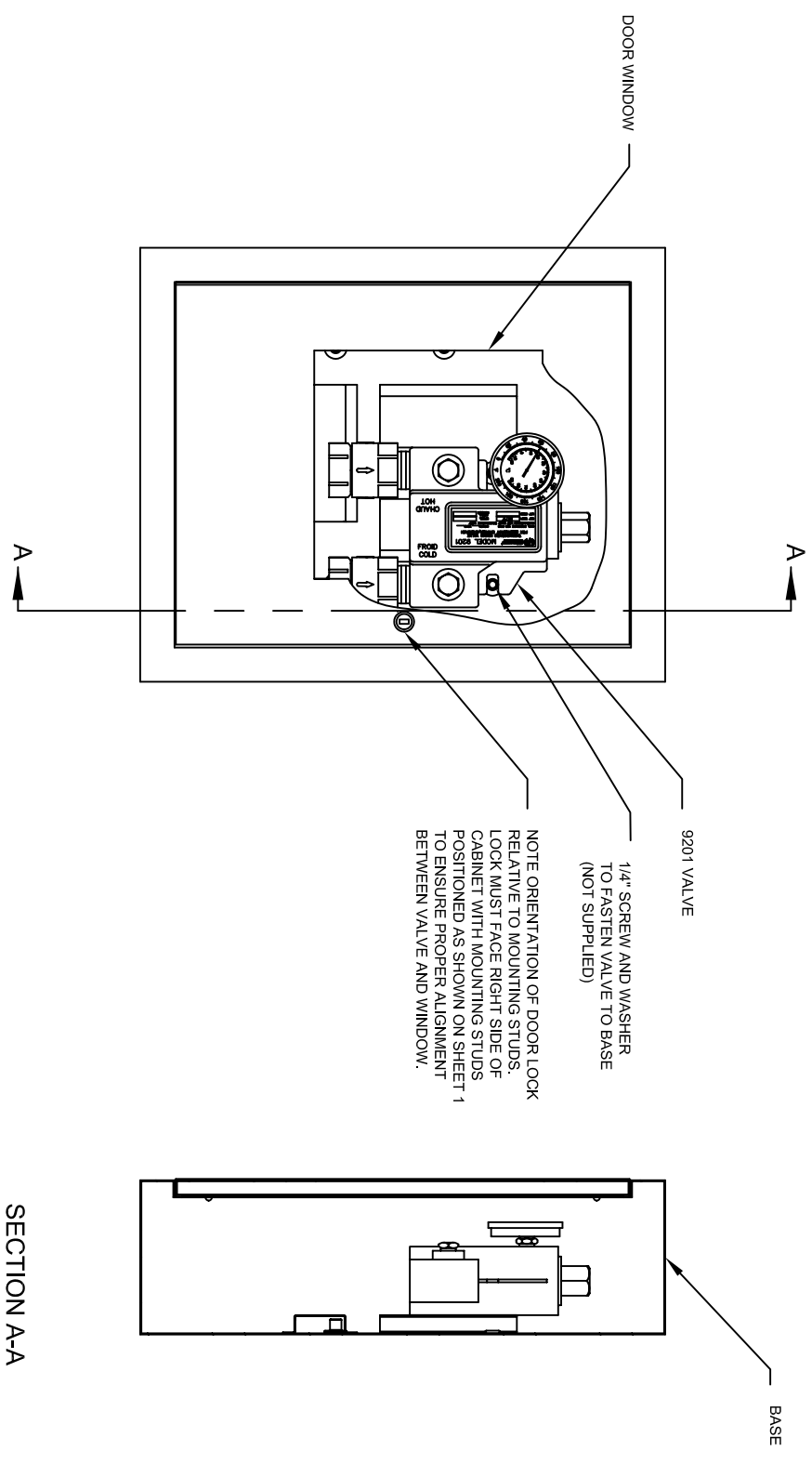


SECTION AAA



1455 KLEPPE LANE
 SPARKS, NEVADA 89431
 (775) 359-4712 FAX (775) 359-7424
 E-MAIL: HAWS@HAWSCC.COM
 WEBSITE: WWW.HAWSCC.COM

ENGINEER	DESIGNED BY	DATE	MODEL(S)	NO. OF SHEETS
4347	ENL-4347	11/5/09	9205 SUR	02/03/0382 D
WVC	WVC		INFO FAX DOC #:	15962A
APPROVER	DATE		GRABTYPE	SIZE A
			INSTALLATION/FABR/C	SHEET 2 OF 3



NOTE ORIENTATION OF DOOR LOCK RELATIVE TO MOUNTING STUDS. LOCK MUST FACE RIGHT SIDE OF CABINET WITH MOUNTING STUDS POSITIONED AS SHOWN ON SHEET 1 TO ENSURE PROPER ALIGNMENT BETWEEN VALVE AND WINDOW.

9201 VALVE/CABINET ORIENTATION

SECTION A-A

		1455 KLEPPE LANE SPARKS, NEVADA 89431 (775) 369-4712 FAX (775) 369-7424 E-MAIL: HAWS@HAWS.CO.COM WEBSITE: WWW.HAWS.CO.COM	
ENGINE: 4347	DESIGNED FOR: WVC	MODEL(S): 9205, SUR	DATE: 11/5/09
DRAWN: 4347	CHECKED: WVC	INFO FAX DOC #: 29205787	SCALE: 1/8"
APPROVED: 11/5/09	DATE: 11/5/09	DRAWING TYPE: INSTALLATION/FAREBACK	SIZE: A
PART NUMBER: 0002080382.D		SHEET: 3 OF 3	
DRAWING NUMBER: 15962A		REV: 0	