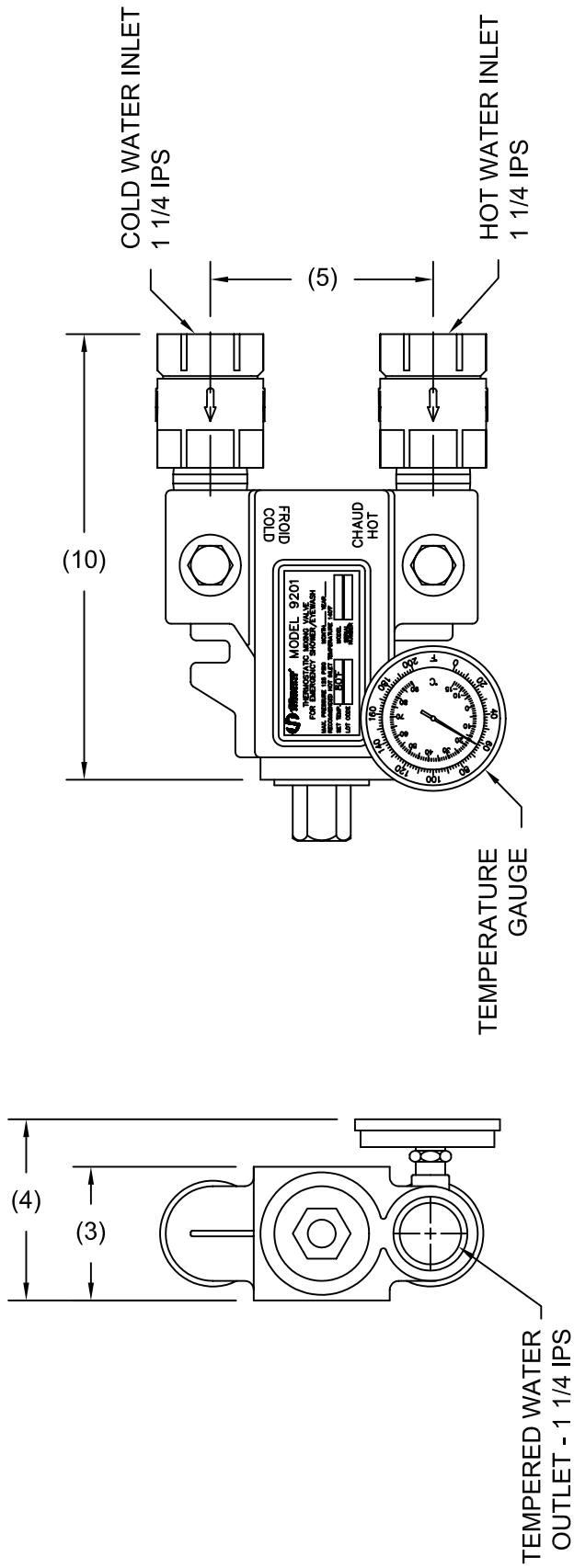


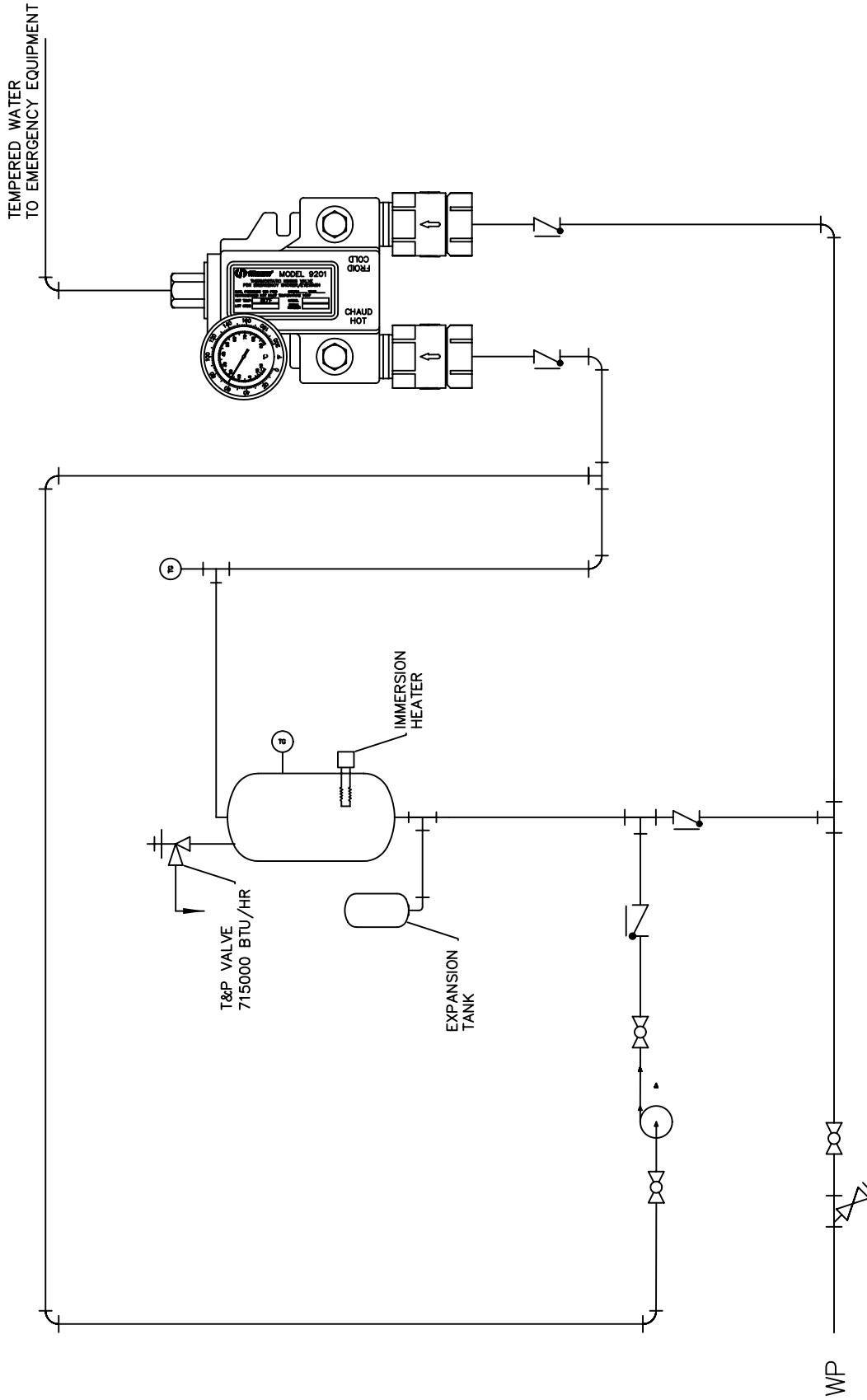
THIS DOCUMENT IS TRUE AND CORRECT AT TIME OF PUBLICATION. CONTINUED PRODUCT IMPROVEMENTS MAKE SPECIFICATIONS AND MEASUREMENTS SUBJECT TO CHANGE WITHOUT NOTICE.




INFO FAX : 1-888-FAX-HAWS (1-888-329-4297)
 1455 Kleppe Ln, Sparks NV, 89431
 Phone: 775-359-4712 Fax: 775-359-7424
 Haws Ag Bachweg 3 CH-3401 Burgdorf Switzerland
 Haws Mfg Pte Ltd 74 Sungei Kadut Loop Singapore 729531
 e-mail: Haws@hawsco.com website: www.hawsco.com

REV. 5	REV. 1	REV. 2
14098A00	0002080228.D	0002080228.D
DRAWING NUMBER	PART NUMBER	PART NUMBER
SCALE: A	SIZE: A	SHT. 1 OF 2
INSTALLATION/FABRICATION	MODEL(S):	9201 MIXING VALVE
INFO FAX DOC #:	INFO FAX DOC #:	29201
DATE:	DATE:	DATE:
APPROVED:	BY:	BY:
	ECN: 3594	ECN: 3594
	DATE: 04/99	DATE: 04/99
	DATE:	DATE:

THIS DOCUMENT IS TRUE AND CORRECT AT TIME OF PUBLICATION. CONTINUED PRODUCT IMPROVEMENTS MAKE SPECIFICATIONS AND MEASUREMENTS SUBJECT TO CHANGE WITHOUT NOTICE.




Haws Corporation
 INFO FAX : 1-888-FAX-HAWS (1-888-329-4297)
 1455 Kleppe Ln, Sparks NV, 89431
 Phone: 775-359-4712 Fax: 775-359-7424
 Haws Ag, Bachweg 3, CH-3401 Burgdorf Switzerland
 Haws Mfg Pte Ltd 74 Sungai Kadut Loop Singapore 729531
 e-mail: Haws@hawsco.com website: www.hawsco.com

EQP. NO.	REVISED PER	DATE	BY	DATE	BY
	ECN: 3994	04/99			
MODEL(S):	9201 MIXING VALVE				
INFO. FAX. DOC. #:	29201				
SCALE:	NA	DRAWING TYPE: INSTALLATION/FABRACK			
DRAWING NUMBER:	14098A00				
SIZE:	A SHI. 2 OF 2				