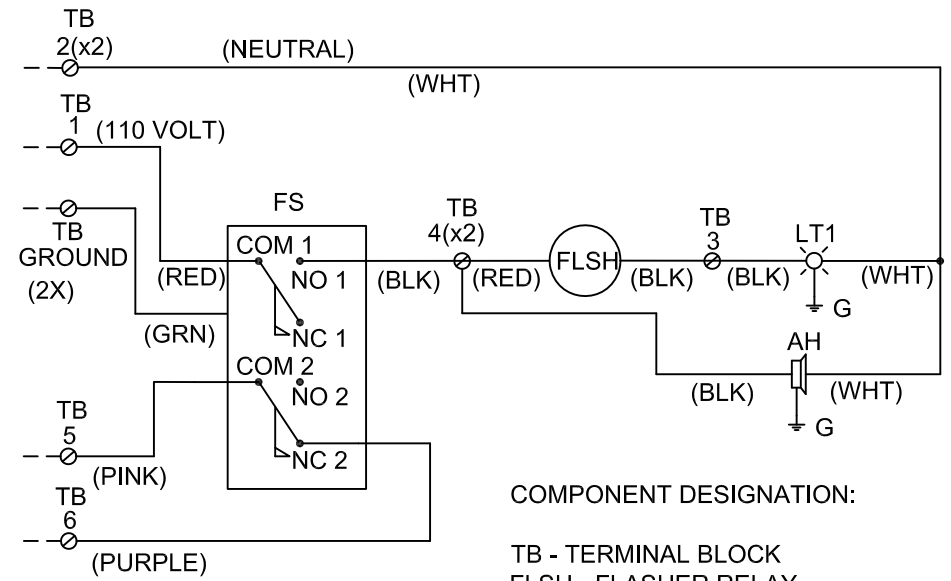


**NOTES:**

1. AUDIBLE AND VISIBLE ALARM ACTIVATED WHEN SHOWER OR EYEWASH IS IN USE.
2. 120VAC SUPPLY VOLTAGE REQUIRED, APPROXIMATELY 100VA ALL ELECTRICAL HOOKUPS TO MAIN JUNCTION BOX.
3. SYSTEM CERTIFIED AS SUITABLE FOR CLASS I, DIV. 2 GROUPS B, C, D LOCATION INSTALLATION. INSTALLER MUST USE THREAD SEALANT, SUCH AS APPLETON TLC3, RECOMMENDED FOR USE IN HAZARDOUS LOCATIONS ON ALL ELECTRICAL NPT CONNECTIONS.

(CONTINUED ON SHEET 2)



**COMPONENT DESIGNATION:**

- TB - TERMINAL BLOCK
- FLSH - FLASHER RELAY
- LT1 - RED LIGHT
- FS - FLOW SWITCH
- AH - ALARM HORN

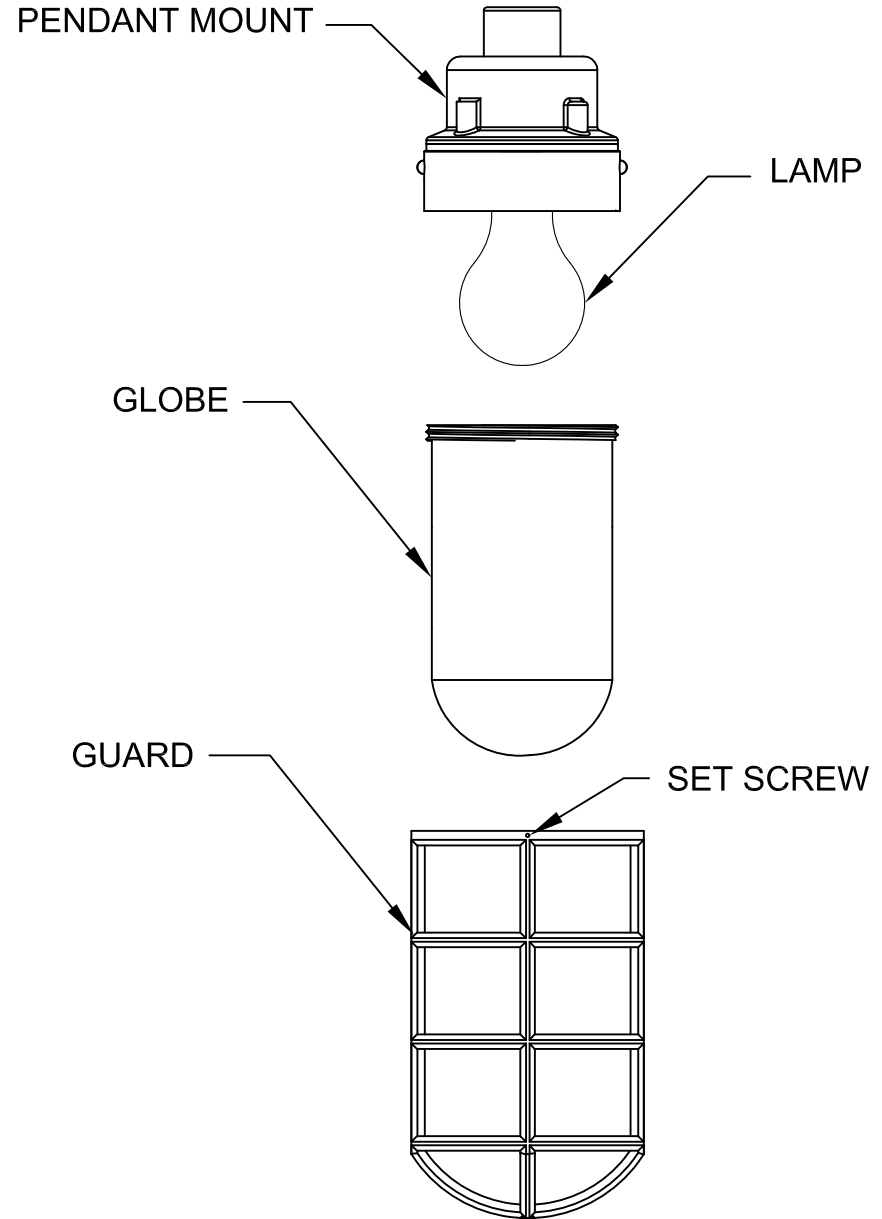
**SWITCH MUST BE MOUNTED IN HORIZONTAL POSITION**

		1455 KLEPPE LANE SPARKS, NEVADA 89431 (775) 359-4712 FAX (775) 359-7424 E-MAIL: HAWS@HAWSCO.COM WEBSITE: WWW.HAWSCO.COM	
		ECN NO. REVISED PER BY: ECN:4626 HM	MODEL(S) 9001EXP ALARM
DRAWN: CJL DATE: 06/91 CHKD:	APPROVED: DATE:	SCALE: 1:1 DRAWING TYPE: INSTALLATION	SIZE: A SHEET 1 OF 2

NOTES: (CONTINUED FROM SHEET 1)

4. LIGHT REPLACEMENT INSTRUCTIONS:

- 1) REMOVE GUARD AND GLOBE:  
FIRST LOOSEN SET SCREW (LOCATED ON GUARD WHERE SHOWN). NEXT, ROTATE GUARD COUNTER CLOCKWISE UNTIL GUARD IS FREE. FINALLY ROTATE GLOBE COUNTER CLOCKWISE UNTIL GLOBE IS FREE AND LAMP IS EXPOSED.
- 2) REPLACE LAMP WITH RECOMMENDED 130 VOLT, 60 WATT, RED.  
P/N 0003225505  
**WARNING - EXPLOSION HAZARD - SUBSTITUTION OF COMPONENTS MAY IMPAIR SUITABILITY FOR CLASS 1, DIVISION 2.**
- 3) REPLACE GUARD AND GLOBE:  
ROTATE GLOBE CLOCKWISE ONTO THREADS UNTIL SEALED AGAINST GASKET. NEXT, ROTATE GUARD CLOCKWISE ONTO THREADS UNTIL TIGHT. FINALLY TIGHTEN SET SCREW.



		<b>Haws</b> <sup>®</sup>		1455 KLEPPE LANE SPARKS, NEVADA 89431 (775) 359-4712 FAX (775) 359-7424 E-MAIL: HAWS@HAWS.CO.COM WEBSITE: WWW.HAWS.CO.COM	
ECN NO:	REVISED PER:	BY:	MODEL(S)	PART NUMBER	
	ECN: 4626	HM	9001EXP	0002080203.D	
DRAWN:	DATE:	CHKD.:		DRAWING NO.	REV
HM	08/12/09			09468A00	18
APPROVED:	DATE:	SCALE:	DRAWING TYPE:	INSTALLATION	SIZE: A SHEET 2 OF 2