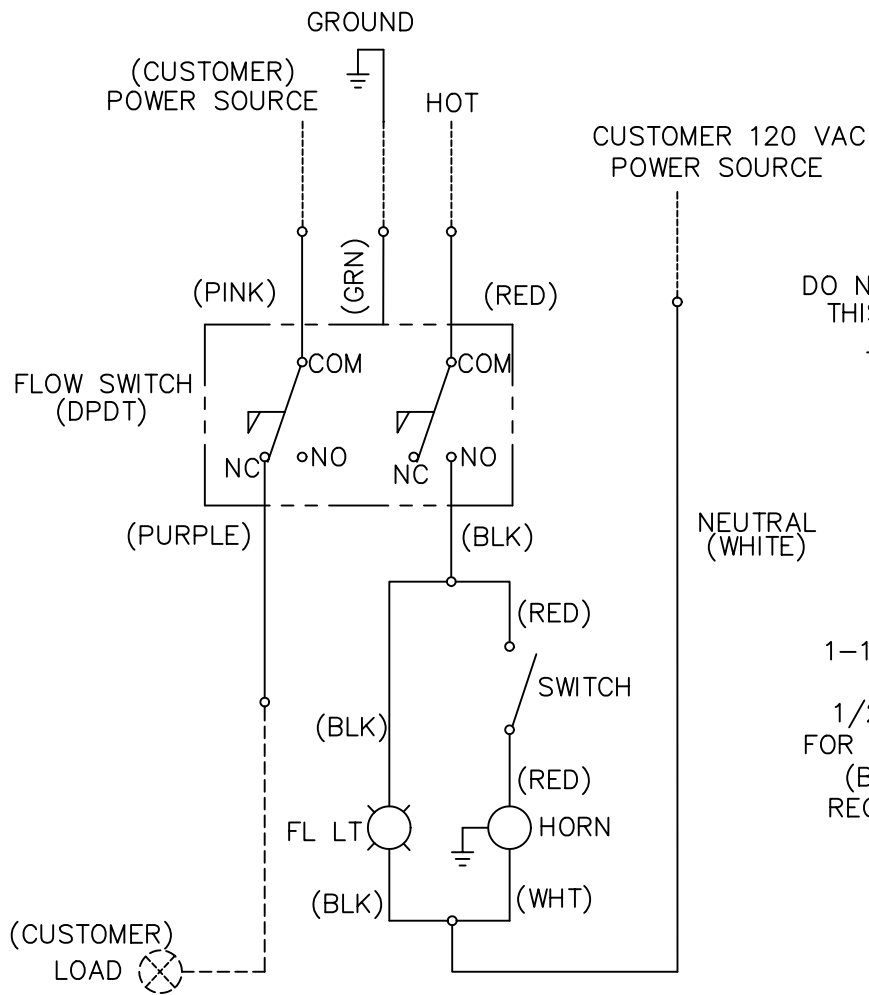
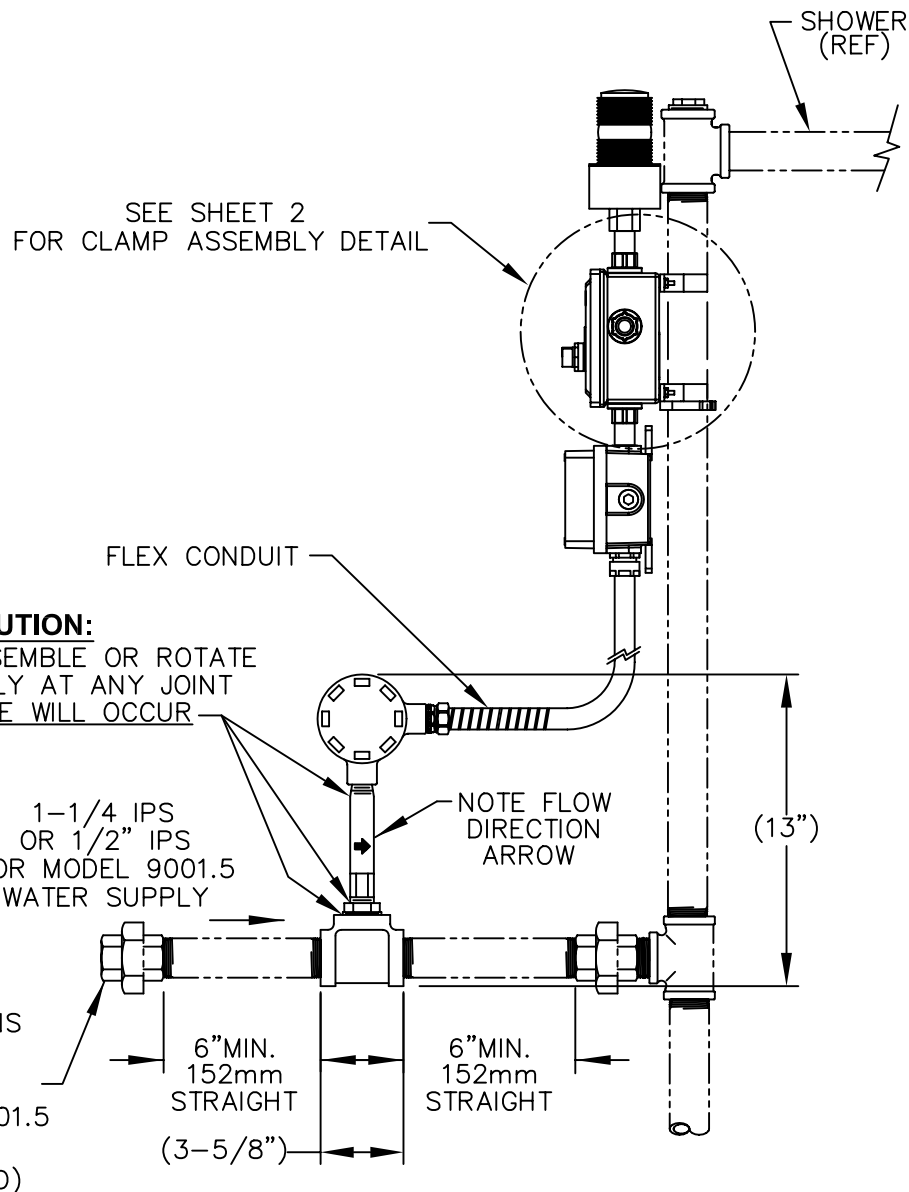


**NOTES:**

1. THE SIGNAL FROM THE RED WIRE WILL BE SUPPLY VOLTAGE WHEN NO WATER IS FLOWING AND ZERO VOLTAGE WHEN THE FLOW SWITCH AND LOCAL ALARM ARE ACTIVATED. IF A REMOTE ALARM IS NOT USED, THE RED WIRE MUST BE INSULATED AT ITS FREE END. LEAVING THE TWO CRIMP TERMINALS (SUPPLIED) CONNECTED WILL DO THIS.
2. INSTALLER MUST USE A THREAD SEALANT, SUCH AS APPLETON TLC3, RECOMMENDED FOR USE ON ELECTRICAL COMPONENTS ON ALL ELECTRICAL NPT CONNECTIONS.



**WIRING DIAGRAM**

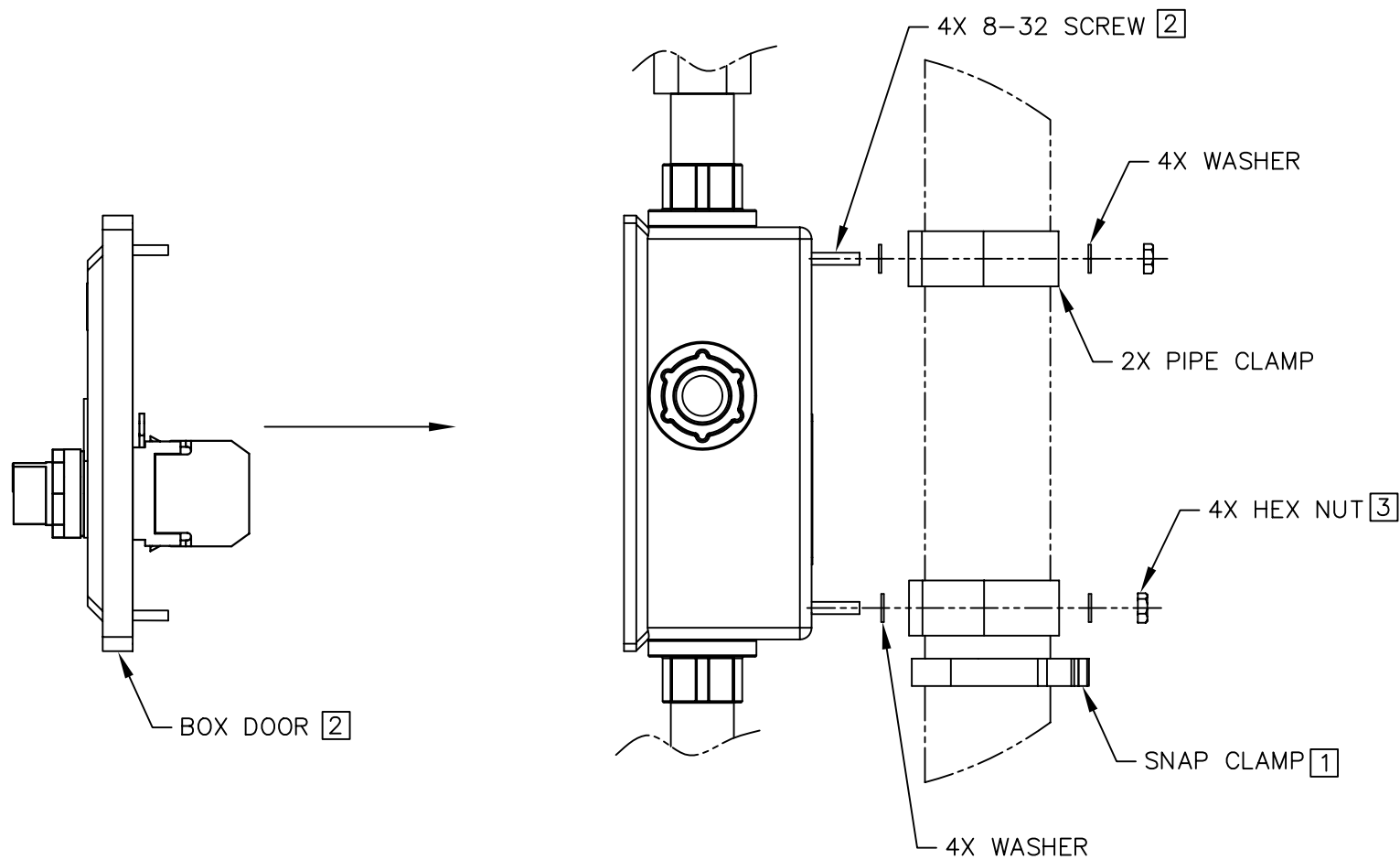


**FLOW SWITCH MUST BE MOUNTED IN HORIZONTAL POSITION**


		1455 KLEPPE LANE SPARKS, NEVADA 89431 (775) 359-4712 FAX (775) 359-7424 E-MAIL: HAWS@HAWSCO.COM WEBSITE: WWW.HAWSCO.COM	
		ECN NO. REVISED PER BY: MODEL(S): ECN: 4309 HM: 9001/ 9001.5 ALARM	PART NUMBER: 0002080202.D
DRAWN: C.H. DATE: 01/09/01 CHKD:	INFO FAX DOC #: 29001/ 290015	DRAWING NUMBER: 09254A00	REV: 23
APPROVED: DATE:	SCALE: 1/8	DRAWING TYPE: INSTALLATION/FAXBACK	SIZE: A SHEET 1 OF 2

**NOTES:**

- 1 SNAP CLAMP TO BE INSTALLED FIRST FOR VERTICAL SUPPORT.
- 2 SCREWS INSTALLED FROM FRONT, WITH BOX DOOR OFF.
- 3 NUTS TO BE INSTALLED TO A TORQUE OF 12 IN-LBS MAX.



**CLAMP ASSEMBLY DETAIL**

 <b>Haws</b> corporation		1455 KLEPPE LANE SPARKS, NEVADA 89431 (775) 359-4712 FAX (775) 359-7424 E-MAIL: HAWS@HAWSCO.COM WEBSITE: WWW.HAWSCO.COM	
		ECN NO. REVISED PER BY: MODEL(S): ECN: 4309 HM: 9001/ 9001.5 ALARM	PART NUMBER: 0002080202.D
DRAWN: C.H. APPROVED:	DATE: 01/09/01 DATE:	CHKD: HM INFO FAX DOC #: 29001/ 290015	DRAWING NUMBER: 09254A00 REV: 23
SCALE: 1/8		DRAWING TYPE: INSTALLATION/FAXBACK	SIZE: A SHEET 2 OF 2